



1200 Enduro
Model Year 2016

MULTISTRADA

Chassis prefix:
Cylinder capacity: 1200

D21000016 - I
SPARE PARTS CATALOGUE
en-US



The present spare parts order exactly the right spare parts.

When ordering specify:

1. the part's code number followed by its description and quantity needed;
2. the motorcycle's serial number, stamped on the steering head.

Reference to right and left apply to the vehicle in terms of its direction of movement.


Spare parts drawings are general and do not represent the part.

The contents of this catalogue are general and can undergo changes without prior notice.

CHARACTERISTICS LEGENDA

CHARACTERISTIC CODE	CHARACTERISTIC DESCRIPTION	VALUE CODE	VALUE DESCRIPTION
DFR	DAFRA	N	
MOD	MODEL	MS1200E	
PLT	PLANT	DB10	
XCO	MAIN COLOUR	NGWS	
XCO	MAIN COLOUR	PG	
XCO	MAIN COLOUR	R	
XCR	FRAME / WHEEL COLOUR	RGB	
XPO	OPTIONS	STD	
XST	STANDARD COUNTRY	AUS	
XST	STANDARD COUNTRY	EUR	
XST	STANDARD COUNTRY	FRA	
XST	STANDARD COUNTRY	JAP	
XST	STANDARD COUNTRY	ROK	



COLOUR	COLOUR CODE	COLOUR DESCRIPTION	FINISHED PRODUCTS
	NGWS	STAR WHITE SILK	(D21012516) MS1200E 16 JAP NGWS RGB STD DMH (D21008916) MS1200E 16 EUR NGWS RGB STD DMH (D21010616) MS1200E 16 FRA NGWS RGB STD DMH (D21011316) MS1200E 16 AUS NGWS RGB STD DMH (D21011916) MS1200E 16 ROK NGWS RGB STD DMH
	PG	PHANTOM GREY	(D21012416) MS1200E 16 JAP PG RGB STD DMH (D21008716) MS1200E 16 EUR PG RGB STD DMH (D21010516) MS1200E 16 FRA PG RGB STD DMH (D21011216) MS1200E 16 AUS PG RGB STD DMH (D21011816) MS1200E 16 ROK PG RGB STD DMH
	R	RED	(D21012316) MS1200E 16 JAP R RGB STD DMH (D21005916) MS1200E 16 EUR R RGB STD DMH (D21010416) MS1200E 16 FRA R RGB STD DMH (D21011116) MS1200E 16 AUS R RGB STD DMH (D21011716) MS1200E 16 ROK R RGB STD DMH



General information.....	3
Colours.....	4
Group ELECTRIC.....	8
Drawing 018 - BATTERY HOLDER [MOD:MS1200E].....	8
Drawing 020 - HEADLIGHT [MOD:MS1200E].....	12
Drawing 18B - WIRING HARNESS [MOD:MS1200E].....	14
Drawing 27A - NUMBER PLATE HOLDER - TAIL LIGHT [MOD:MS1200E;XST:AUS,EUR,FRA,ROK].....	16
Drawing 27A - NUMBER PLATE HOLDER - TAIL LIGHT [MOD:MS1200E;XST:JAP].....	18
Group ENGINE.....	20
Drawing 002 - GEAR CHANGE MECHANISM [MOD:MS1200E].....	20
Drawing 003 - GEAR BOX [MOD:MS1200E].....	22
Drawing 004 - CLUTCH [MOD:MS1200E].....	24
Drawing 005 - CLUTCH COVER [MOD:MS1200E].....	26
Drawing 006 - CONNECTING RODS [MOD:MS1200E].....	28
Drawing 007 - CYLINDERS - PISTONS [MOD:MS1200E].....	30
Drawing 008 - DISTRIBUZIONE [MOD:MS1200E].....	32
Drawing 009 - OIL PUMP - FILTER [MOD:MS1200E].....	34
Drawing 010 - HALF-CRANKCASES PAIR [MOD:MS1200E].....	36
Drawing 011 - GENERATOR COVER [MOD:MS1200E].....	40
Drawing 012 - ELECTRIC STARTING AND IGNITION [MOD:MS1200E].....	42
Drawing 014 - VERTICAL CYLINDER HEAD [MOD:MS1200E].....	44
Drawing 015 - HORIZONTAL CYLINDER HEAD [MOD:MS1200E].....	52
Drawing 016 - OIL COOLER [MOD:MS1200E].....	60
Drawing 017 - THROTTLE BODY [MOD:MS1200E].....	62
Drawing 10A - HALF-CRANKCASES PAIR [MOD:MS1200E].....	64
Drawing 13A - VERTICAL CYLINDER HEAD - TIMING [MOD:MS1200E].....	66
Drawing 13B - TESTA ORIZZONTALE - DISTRIBUZIONE [MOD:MS1200E].....	68
Group TOOLS.....	72
Drawing 001 - WORKSHOP SERVICE TOOLS [MOD:MS1200E].....	72



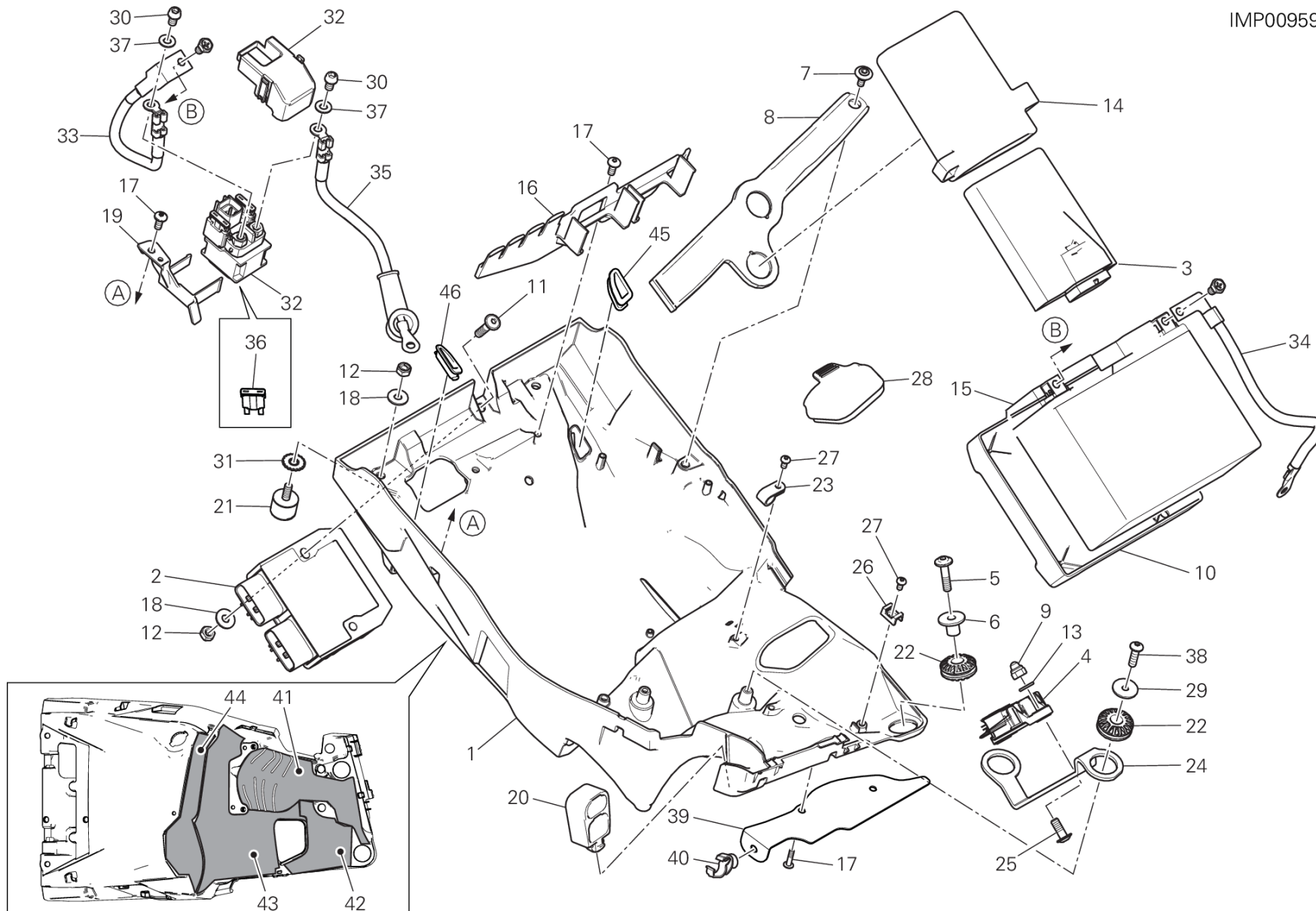
Drawing 01A - WORKSHOP SERVICE TOOLS [MOD:MS1200E].....	74
Drawing 01B - WORKSHOP SERVICE TOOLS [MOD:MS1200E].....	76
Drawing 01C - DDS (2) TESTER [MOD:MS1200E].....	78
Group TYRES.....	80
Drawing B2 - (*) PIRELLI SCORPION™ TRAIL II [MOD:MS1200E].....	80
Group FRAME.....	82
Drawing 019 - EXHAUST SYSTEM [MOD:MS1200E].....	82
Drawing 021 - HANDLEBAR [MOD:MS1200E].....	86
Drawing 022 - FRAME [MOD:MS1200E].....	90
Drawing 023 - CLUTCH MASTER CYLINDER [MOD:MS1200E].....	92
Drawing 024 - FRONT BRAKE SYSTEM [MOD:MS1200E].....	94
Drawing 025 - REAR BRAKING SYSTEM [MOD:MS1200E].....	98
Drawing 026 - WHEELS [MOD:MS1200E].....	102
Drawing 027 - REAR FRAME COMP. [MOD:MS1200E].....	106
Drawing 028 - REAR SHOCK ABSORBER [MOD:MS1200E].....	108
Drawing 029 - INTAKE [MOD:MS1200E].....	110
Drawing 030 - WATER COOLER [MOD:MS1200E].....	114
Drawing 032 - FUEL TANK [MOD:MS1200E].....	116
Drawing 033 - SEAT [MOD:MS1200E].....	118
Drawing 034 - COWLING [MOD:MS1200E;XST:AUS,EUR,FRA,JAP,ROK].....	120
Drawing 036 - CANISTER FILTER [MOD:MS1200E].....	122
Drawing 21A - FRONT FORK [MOD:MS1200E].....	124
Drawing 22A - SIDE STAND [MOD:MS1200E].....	126
Drawing 24A - BRAKING SYSTEM ABS [MOD:MS1200E].....	128
Drawing 27C - FOOTRESTS, LEFT [MOD:MS1200E].....	130
Drawing 27D - FOOTRESTS, RIGHT [MOD:MS1200E].....	132
Drawing 28A - SWING ARM [MOD:MS1200E].....	134
Drawing 34A - FAIRING [MOD:MS1200E].....	136
Drawing 34B - FAIRING [MOD:MS1200E].....	138
Drawing 34C - WINDSHIELD [MOD:MS1200E].....	140



Alphanumeric index.....142



IMP00959



DRAWING 018 - BATTERY HOLDER [MOD:MS1200E]

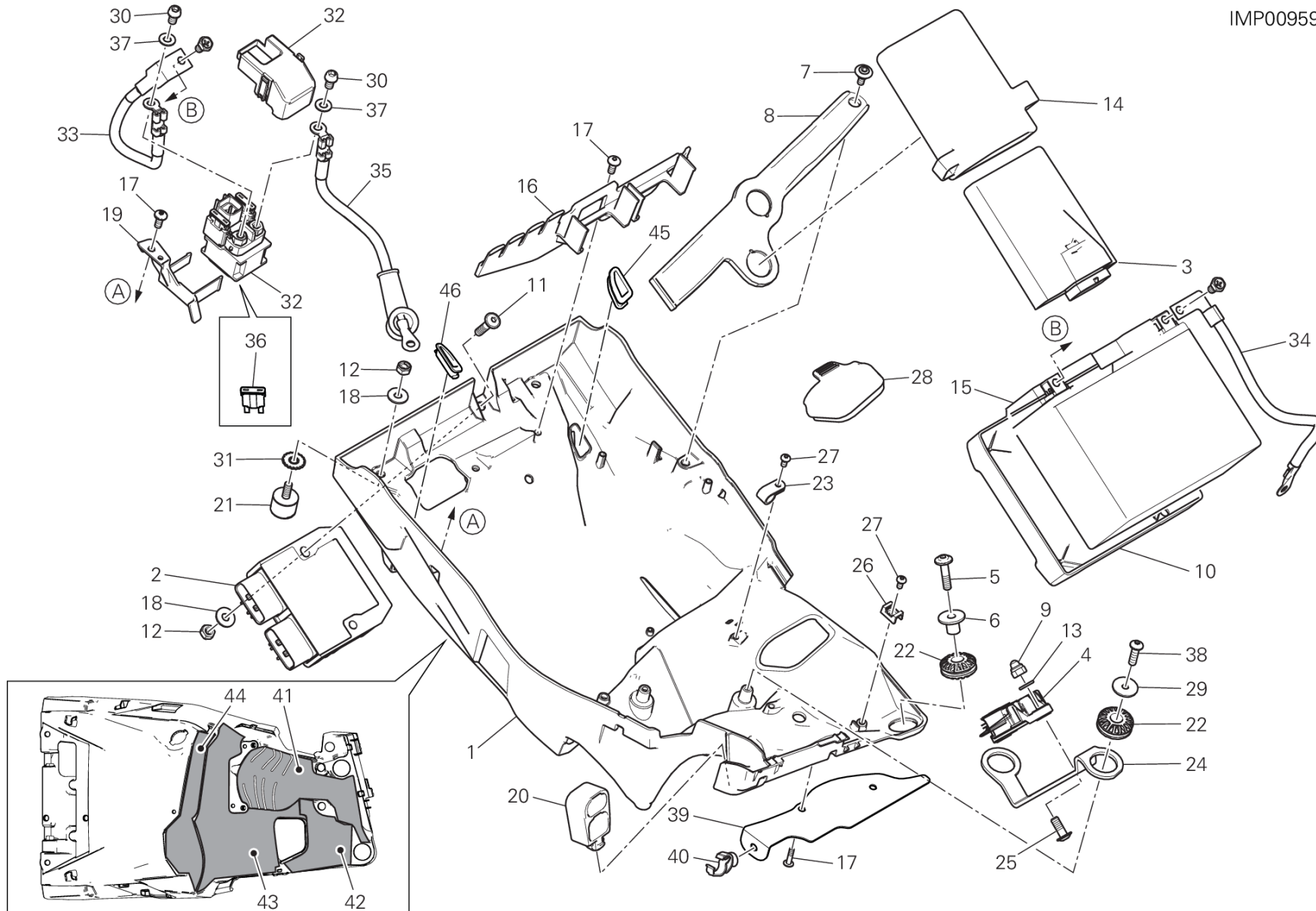
GROUP ELECTRIC



POS.	CODE	DESCRIPTION	QTY	START DATE	END DATE	VALIDITY	NOTES
1	8291D181B	BATTERY HOLDER	1	16/03/2015			
2	54040301B	VOLTAGE REGULATOR	1	16/03/2015			
3	38510611C	BLACKBOX UNIT	1	22/01/2016			
4	38540072A	PIATTAFORMA INERZIALE	1	22/01/2016			
5	77210971B	SCREW	2	07/11/2014			
6	71610061A	SPACER	2	27/03/2015			
7	77210852A	SCREW TCEI M5X9	1	07/11/2014			
8	83019201A	BRACKET, BATTERY BAND	1	27/03/2015			
9	74940021A	NUT, SELF-LOCKING M6	2	27/03/2015			
10	86611902A	BATTERY CARPET	1	24/03/2016			
11	77240463C	SCREW TBEIF M6X25	2	27/03/2015			
12	74941333B	NUT	4	27/03/2015			
13	85211761A	WASHER 6.4X12.5X1.6	2	16/03/2015			
14	70010853A	BRACKET	1	27/03/2015			
15	69926751A	BATTERY	1	10/11/2014			
16	83019212A	BRACKET, FUSE BOX	1	27/03/2015			
17	77440171A	SCREW	5	27/03/2015			
18	85211911A	WASHER 6.4X16X1.5	4	27/03/2015			
19	8291D931A	BRACKET, RELAY	1	16/03/2015			
20	8291D921A	BRACKET, CONNECTOR	1	13/11/2014			
21	70040231A	VIBRATION DAMPER	2	27/03/2015			
22	76411361A	VIBRATION DAMPER PAD	4	27/03/2015			
23	75840161A	FAIRLEAD	2	27/03/2015			
24	83019191AA	BRACKET	1	27/03/2015			
25	77240423C	SCREW TBEIF M6X16 10.9	2	27/03/2015			
26	85041711A	HOSE GUIDE	4	27/03/2015			
27	77440141A	SCREW, TAPPING 4X8 WN1412	6	16/03/2015			
28	4601C741A	GUARD	1	27/03/2015			
29	85240091A	WASHER 5.3X15X1	2	31/03/2015			
30	77156628B	SCREW TCEIF M6X10	2	27/03/2015			
31	85550041A	TOOTHED LOCK WASHER	2	07/11/2014			
32	39740081B	STARTER RELAY	1	27/03/2015			
33	51410751A	BATTERY - SOLENOID STARTER CABLE	1	27/03/2015			
34	51310301C	BATTERY - ENGINE GROUNDING CABLE	1	27/03/2015			
35	51410761C	SOLENOID STARTER - STARTER MOTOR CABLE	1	27/03/2015			



IMP00959



DRAWING 018 - BATTERY HOLDER [MOD:MS1200E]

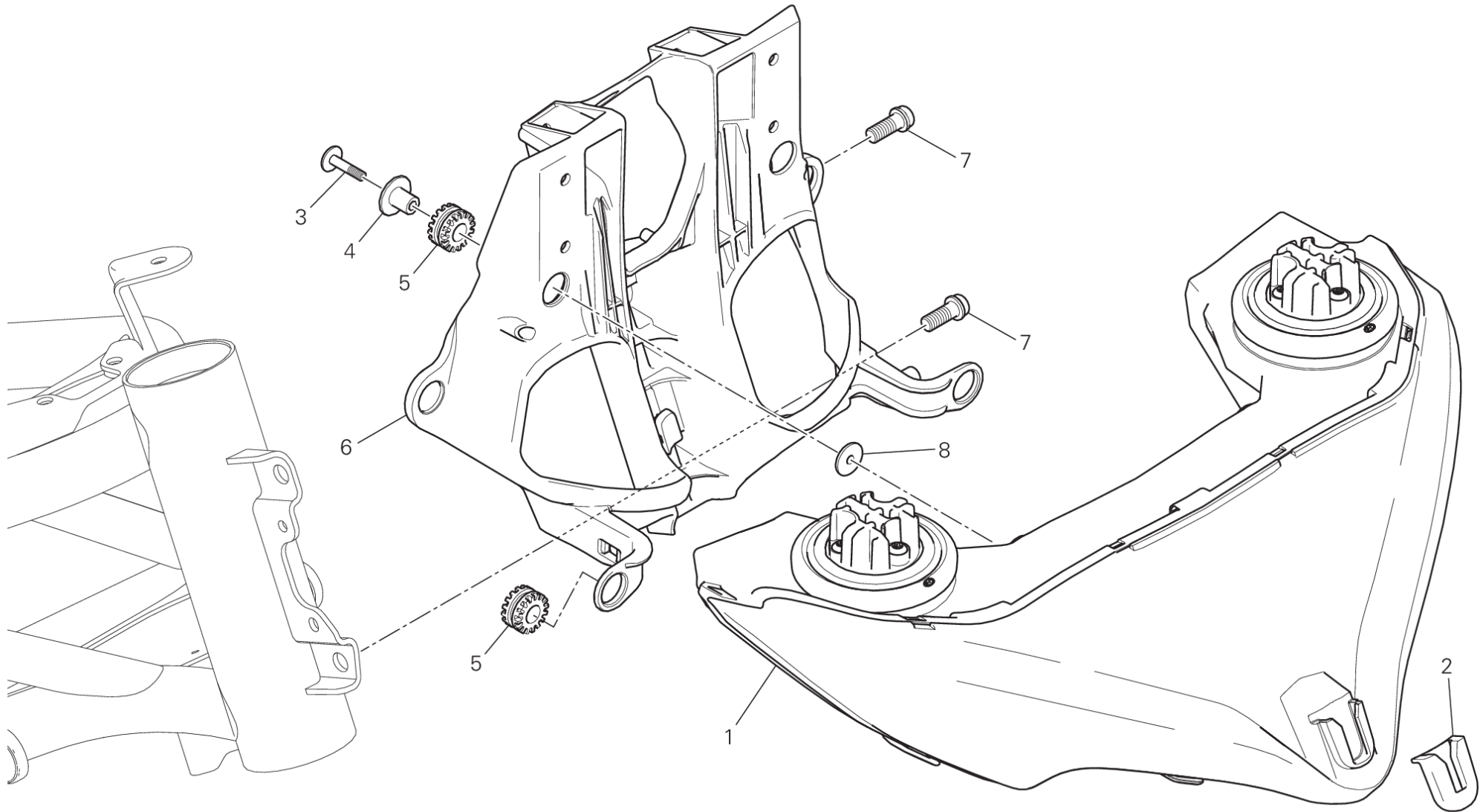
GROUP ELECTRIC



POS.	CODE	DESCRIPTION	QTY	START DATE	END DATE	VALIDITY	NOTES
36	38940231A	FUSE 30A	2				
37	85350101A	WASHER, SPRING	2	27/03/2015			
38	77440061A	SCREW, TAPPING 4.5X16	2	27/03/2015			
39	4601D221BA	BATTERY MOUNT HEAT GUARD	1	27/03/2015			
40	75840841A	FAIRLEAD	1	27/03/2015			
41	4601D451A	BATTERY MOUNT HEAT GUARD	1	27/03/2015			
42	4601D461A	BATTERY MOUNT HEAT GUARD	1	27/03/2015			
43	4601D441A	BATTERY MOUNT HEAT GUARD	1	27/03/2015			
44	4601D471A	BATTERY MOUNT HEAT GUARD	1	27/03/2015			
45	87211051A	PLUG	1	07/05/2015			
46	87211041A	PLUG, RH	1	07/05/2015			



FAN00289



DRAWING 020 - HEADLIGHT [MOD:MS1200E]

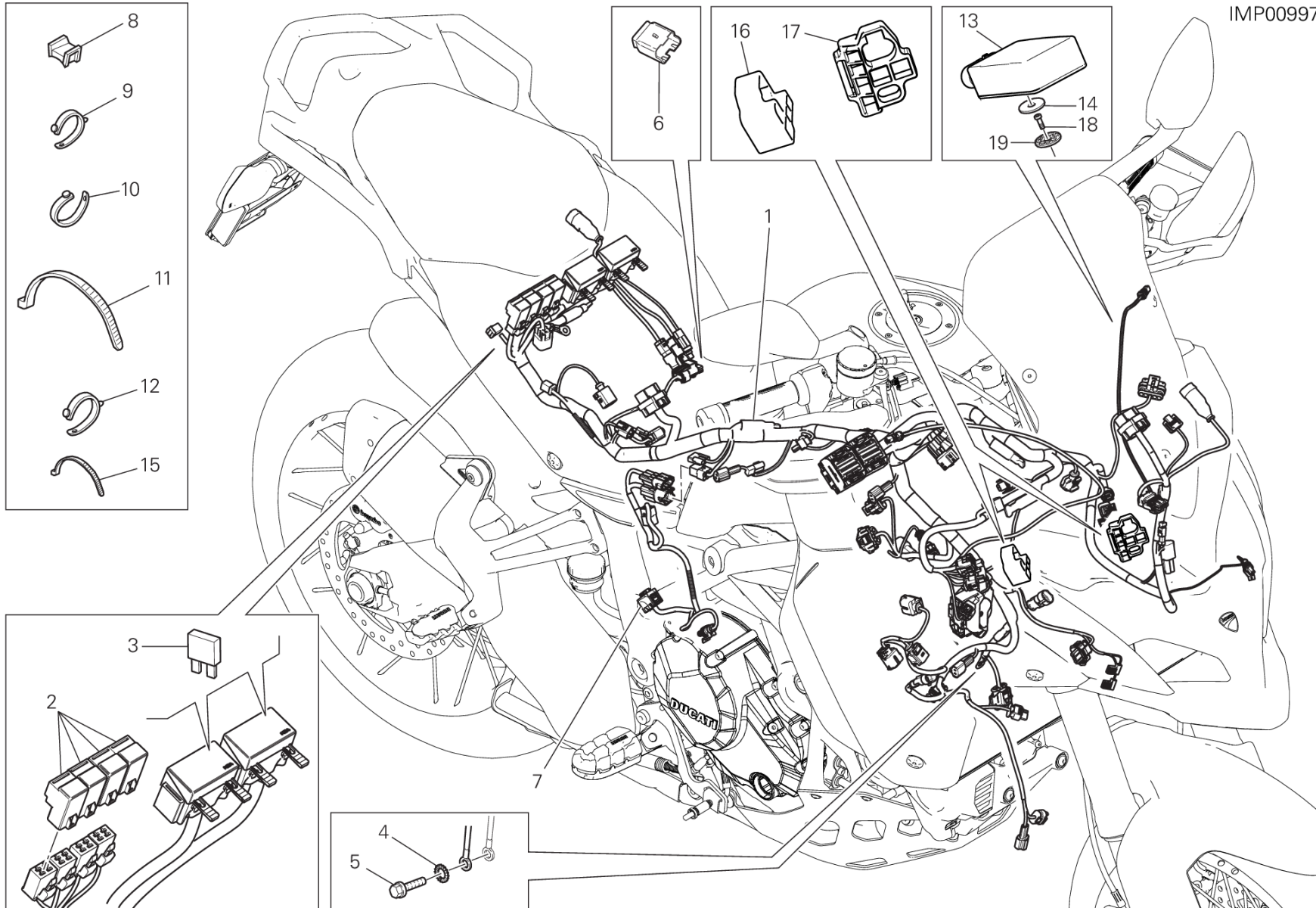
GROUP ELECTRIC



POS.	CODE	DESCRIPTION	QTY	START DATE	END DATE	VALIDITY	NOTES
1	52010315B	HEADLIGHT FRONT	1	03/11/2015			
2	76411331A	RUBBER PAD	1	07/11/2014			
3	77214061AA	SCREW, SPECIAL	4	07/11/2014			
4	71614511AA	SPACER	4	05/05/2015			
5	76410241A	VIBRATION DAMPER PAD	6	24/11/2014			
6	8291D723AB	BRACKET, HEADLIGHT	1	07/05/2015			
7	77110411A	SCREW TCEIF M8X20	2	10/11/2014			
8	85211961B	WASHER 6.4X25X1.5	2	01/09/2015			



IMP00997



DRAWING 18B - WIRING HARNESS [MOD:MS1200E]

GROUP ELECTRIC

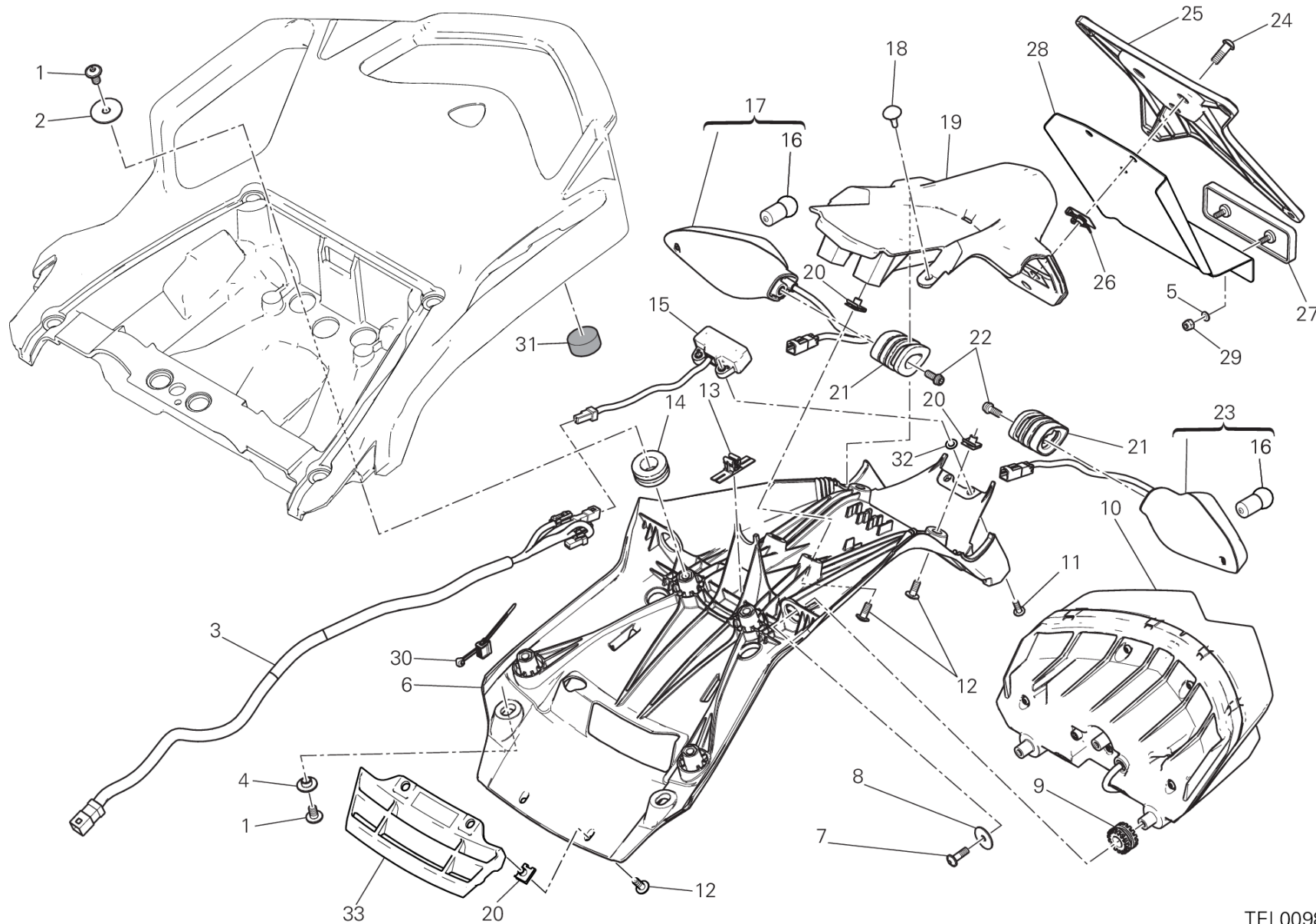


POS.	CODE	DESCRIPTION	QTY	START DATE	END DATE	VALIDITY	NOTES
1	5101B121C	MAIN WIRING HARNESS	1	22/01/2016			
2	54140151A	RELAY	4				
3	38940191A	FUSE 5A	2				
	38940201A	FUSE 10A	3				
	38940211A	FUSE 15A	2				
	38940221A	FUSE 20A	1				
	38940241A	FUSE 7,5A	2				
	38940271A	FUSE 25A	3				
4	85550001B	SPRING WASHER	1	08/05/2013			
5	77211061A	SCREW TEF M6X14	1	08/05/2013			
6	87210532A	CAP DDA	1	08/05/2013			
7	5101A261A	ELECTRIC WIRING	1	30/03/2015			
8	85040671A	CLAMP TUCKER	6	07/11/2014			
9	74110121A	CLAMP, RUBBER 62MM	8	17/11/2014			
10	74110131A	CLAMP, RUBBER 82MM	2	08/05/2013			
11	069191030	CLAMP	7	08/05/2013			
12	74110551A	CLAMP	15	17/11/2014			
13	38512112B	CONTROL UNIT (BLUETOOTH)	1	10/02/2016			
14	85042241A	DUAL LOCK	1	10/01/2015			
15	74140381A	CLAMP	10	24/03/2015			
16	8291E102A	BRACKET, CONNECTOR RIGHT	1	07/11/2014			
17	8291E111A	BRACKET, CONNECTOR LEFT	1	27/03/2015			
18	77354623B	SCREW M4X10	1	18/11/2014			
19	85010141A	RUBBER PAD	1	18/11/2014			



DRAWING 27A - NUMBER PLATE HOLDER - TAIL LIGHT [MOD:MS1200E;XST:AUS,EUR,FRA,ROK]

GROUP ELECTRIC



TEL00982

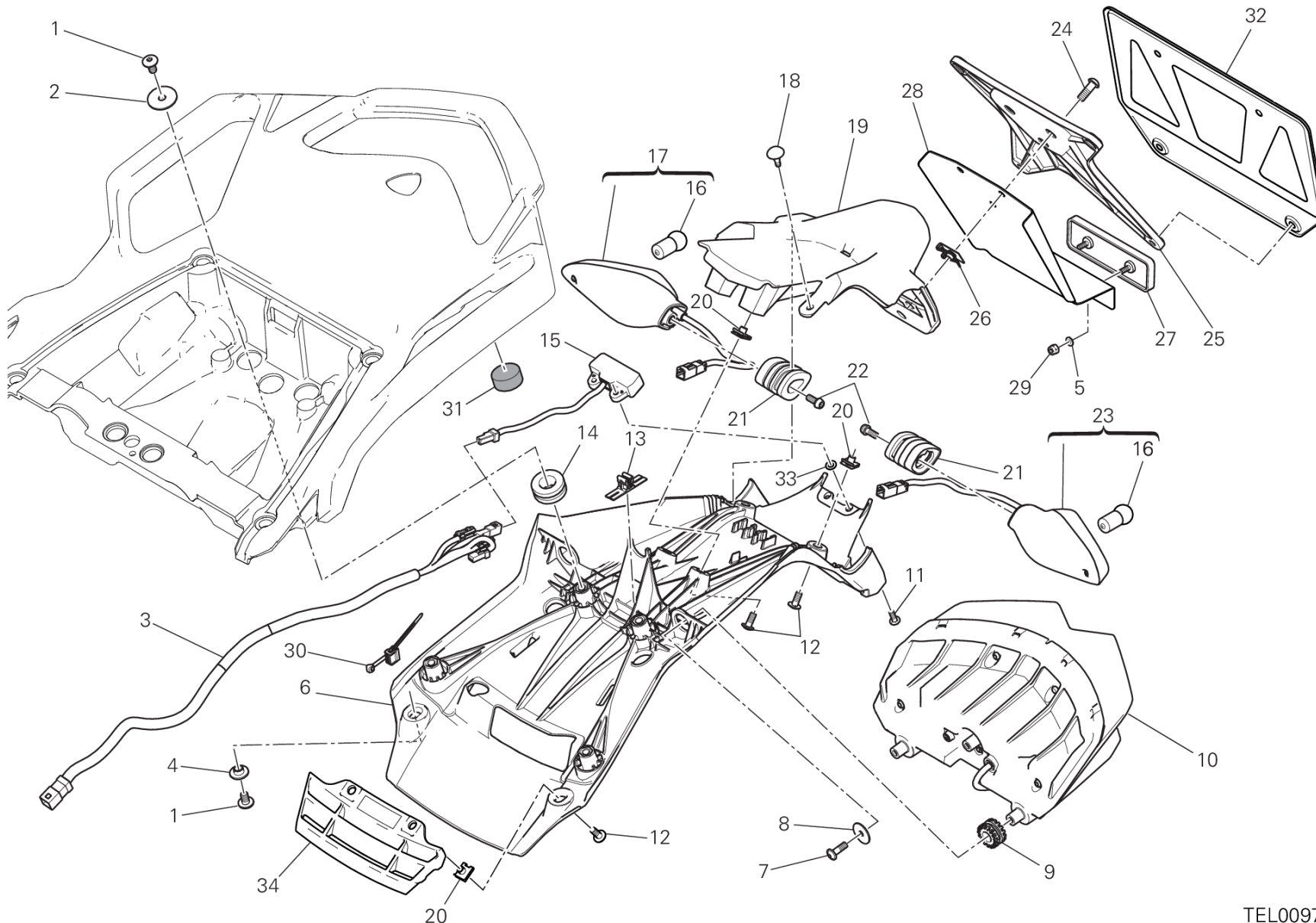
DRAWING 27A - NUMBER PLATE HOLDER - TAIL LIGHT

[MOD:MS1200E;XST:AUS,EUR,FRA,ROK]

GROUP ELECTRIC



POS.	CODE	DESCRIPTION	QTY	START DATE	END DATE	VALIDITY	NOTES
1	77240403C	SCREW	6	02/12/2014			
2	85211961B	WASHER 6.4X25X1.5	4	07/11/2014			
3	5101A251A	REAR WIRING	1	18/09/2014			
4	71611071AB	SPACER	2	07/11/2014			
5	85250011C	WASHER 4.3X9X0.8	2	11/11/2014			
6	24714983A	COVER, LICENSE PLATE HOLDER	1	27/11/2015			
7	77440041A	SCREW, TAPPING M5X16	3	18/09/2014			
8	85241711A	WASHER 5.3X20X1.5	3	08/05/2013			
9	76410241A	VIBRATION DAMPER PAD	3	18/09/2014			
10	52510522B	TAILLIGHT	1	27/11/2015			
11	77240133C	SCREW TBEIF M4X12	2	18/09/2014			
12	77240263C	SCREW	6	18/09/2014			
13	75840901A	FAIRLEAD	1	18/09/2014			
14	76412041A	RUBBER PAD	4	11/11/2014			
15	52510433D	LAMP, LICENSE PLATE	1	27/11/2015			
16	39040211A	BULB	2	11/03/2013			
17	53010226A	FLASHER LIGHT FRONT LH - REAR RH	1	18/09/2014			
18	86610751A	PAD	2	18/09/2014			
19	56113252A	PLATE HOLDER	1	18/09/2014			
20	85040471A	QUICK FASTENING M5	6	18/09/2014			
21	7131A923A	SPACER, FLASHER LIGHT	2	27/11/2015			
22	77156398B	SCREW TCEIF M5X12	2	18/09/2014			
23	53010236A	FLASHER LIGHT FRONT RH- REAR LH	1	18/09/2014			
24	77240438C	SCREW TBEIF M6X18	3	18/09/2014			
25	56113391A	PLATE HOLDER	1	24/03/2015			
26	85040381A	QUICK FASTENING	3	08/05/2013			
27	52910061B	REFLEX REFLECTOR, REAR	1	11/11/2014			
28	8271F231AA	BRACKET, REAR REFLECTOR	1	10/02/2016			
29	74950011B	NUT, SPRING	2	11/11/2014			
30	75840801A	CLAMP	1	08/10/2014			
31	86611221A	VIBRATION DAMPER	1	11/11/2014			
32	85212511A	WASHER 4.5X9X0.5	2	27/11/2015			
33	4601E281A	GUARD VOLTAGE REGULATOR	1	27/11/2015			



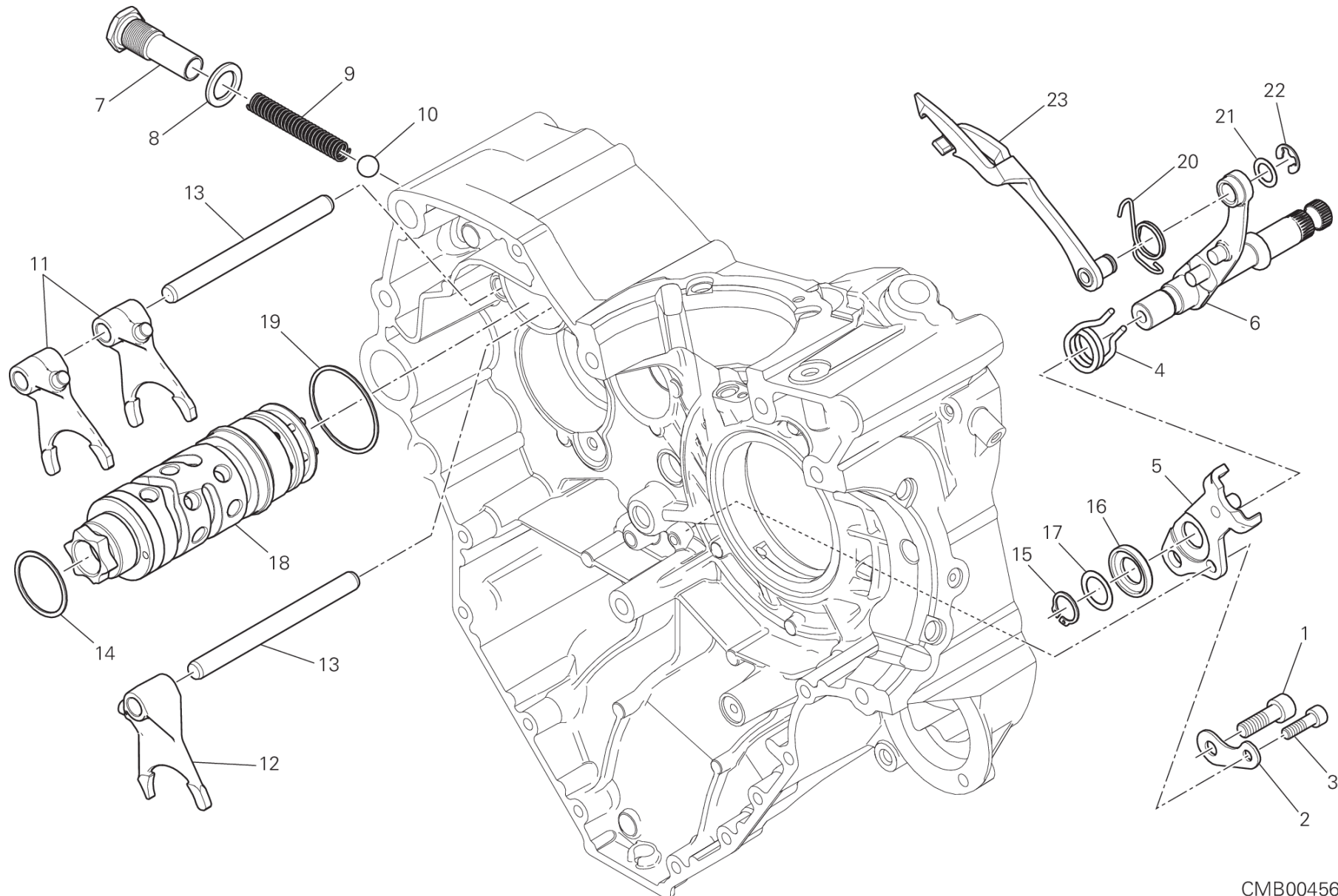
TEL00973

DRAWING 27A - NUMBER PLATE HOLDER - TAIL LIGHT [MOD:MS1200E;XST:JAP]

GROUP ELECTRIC



POS.	CODE	DESCRIPTION	QTY	START DATE	END DATE	VALIDITY	NOTES
1	77240403C	SCREW	6	02/12/2014			
2	85211961B	WASHER 6.4X25X1.5	4	07/11/2014			
3	5101A251A	REAR WIRING	1	18/09/2014			
4	71611071AB	SPACER	2	07/11/2014			
5	85250011C	WASHER 4.3X9X0.8	2	11/11/2014			
6	24714983A	COVER, LICENSE PLATE HOLDER	1	27/11/2015			
7	77440041A	SCREW, TAPPING M5X16	3	18/09/2014			
8	85241711A	WASHER 5.3X20X1.5	3	08/05/2013			
9	76410241A	VIBRATION DAMPER PAD	3	18/09/2014			
10	52510522B	TAILLIGHT	1	27/11/2015			
11	77240133C	SCREW TBEIF M4X12	2	18/09/2014			
12	77240263C	SCREW	6	18/09/2014			
13	75840901A	FAIRLEAD	1	18/09/2014			
14	76412041A	RUBBER PAD	4	11/11/2014			
15	52510433D	LAMP, LICENSE PLATE	1	27/11/2015			
16	39040211A	BULB	2	11/03/2013			
17	53010226A	FLASHER LIGHT FRONT LH - REAR RH	1	18/09/2014			
18	86610751A	PAD	2	18/09/2014			
19	56113252A	PLATE HOLDER	1	18/09/2014			
20	85040471A	QUICK FASTENING M5	6	18/09/2014			
21	7131A923A	SPACER, FLASHER LIGHT	2	27/11/2015			
22	77156398B	SCREW TCEIF M5X12	2	18/09/2014			
23	53010236A	FLASHER LIGHT FRONT RH- REAR LH	1	18/09/2014			
24	77240438C	SCREW TBEIF M6X18	3	18/09/2014			
25	56113391A	PLATE HOLDER	1	24/03/2015			
26	85040381A	QUICK FASTENING	3	08/05/2013			
27	52910061B	REFLEX REFLECTOR, REAR	1	11/11/2014			
28	8271F231AA	BRACKET, REAR REFLECTOR	1	10/02/2016			
29	74950011B	NUT, SPRING	2	11/11/2014			
30	75840801A	CLAMP	1	08/10/2014			
31	86611221A	VIBRATION DAMPER	1	11/11/2014			
32	56113381AA	PLATE PLATE HOLDER	1	22/06/2015			
33	85212511A	WASHER 4.5X9X0.5	2	27/11/2015			
34	4601E281A	GUARD VOLTAGE REGULATOR	1	27/11/2015			



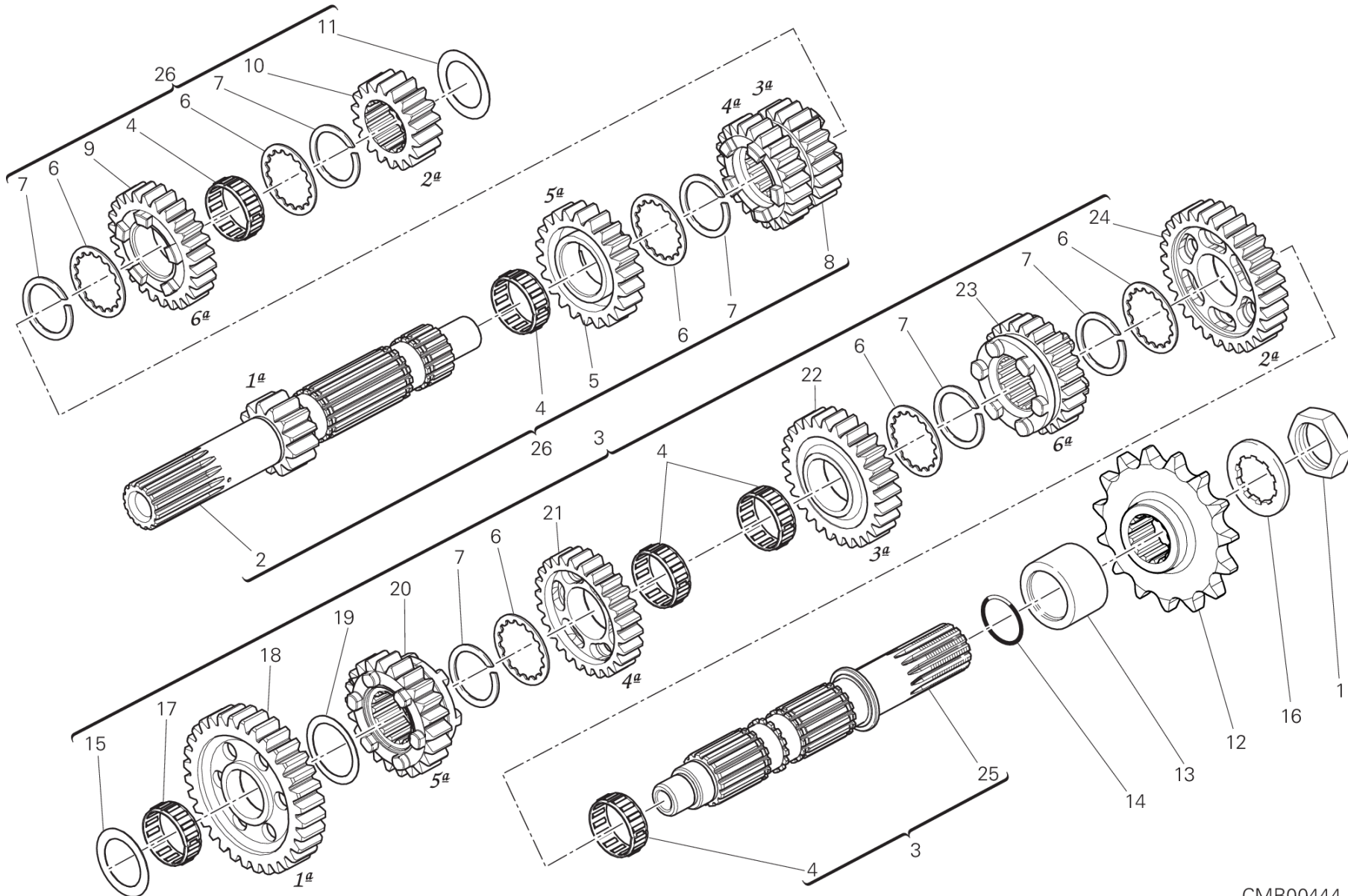
CMB00456

DRAWING 002 - GEAR CHANGE MECHANISM [MOD:MS1200E]

GROUP ENGINE



POS.	CODE	DESCRIPTION	QTY	START DATE	END DATE	VALIDITY	NOTES
1	77151250ZF	SCREW	1	22/03/2013			
2	71319151A	SPACER	1	22/03/2013			
3	77150670ZF	SCREW	1	22/03/2013			
4	79915061A	SPRING, SHIFT RETURN	1	03/05/2012			
5	82610293A	STOPPER PLATE	1	28/11/2013			
6	82114731A	GEAR SELECTOR SHAFT	1	28/11/2013			
7	77912033A	SCREW M16X1.5	1	22/03/2013			
8	027291090	GASKET 16.2X24X2	1	22/03/2013			
9	066013143	GEAR SELECTOR SPRING	1	22/03/2013			
10	768351134	BALL 11MM	1	22/03/2013			
11	180Z0031A	GEAR SELECTOR FORK,1ST/4TH-2ND/3RD	2	22/03/2013			
12	180Z0041A	FORK-SHIFT, 5TH&6TH	1	22/03/2013			
13	82113881A	FORK PIN	2	25/03/2013			
14	85210051A	THRUST WASHER 1 MM	1	22/03/2013			
15	735001542	CIRCLIP 15 DIN 471	1	28/11/2013			
16	88110121A	CENTERING RING	1	28/11/2013			
17	040029126	THRUST WASHER 15.5X22X0.5	1	28/11/2013			
18	18220521A	COMPLETE GEARBOX DRUM	1	22/03/2013			
19	85210941A	THRUST WASHER 45.2X49X0.9	1	22/03/2013			
20	79912961A	RETURN SPRING	1	28/11/2013			
21	040009050	THRUST WASHER 10.5X16X0.5	1	28/11/2013			
22	88450341B	SPRING RING	1	28/11/2013			
23	18020391A	CONTROL FORK	1	28/11/2013			



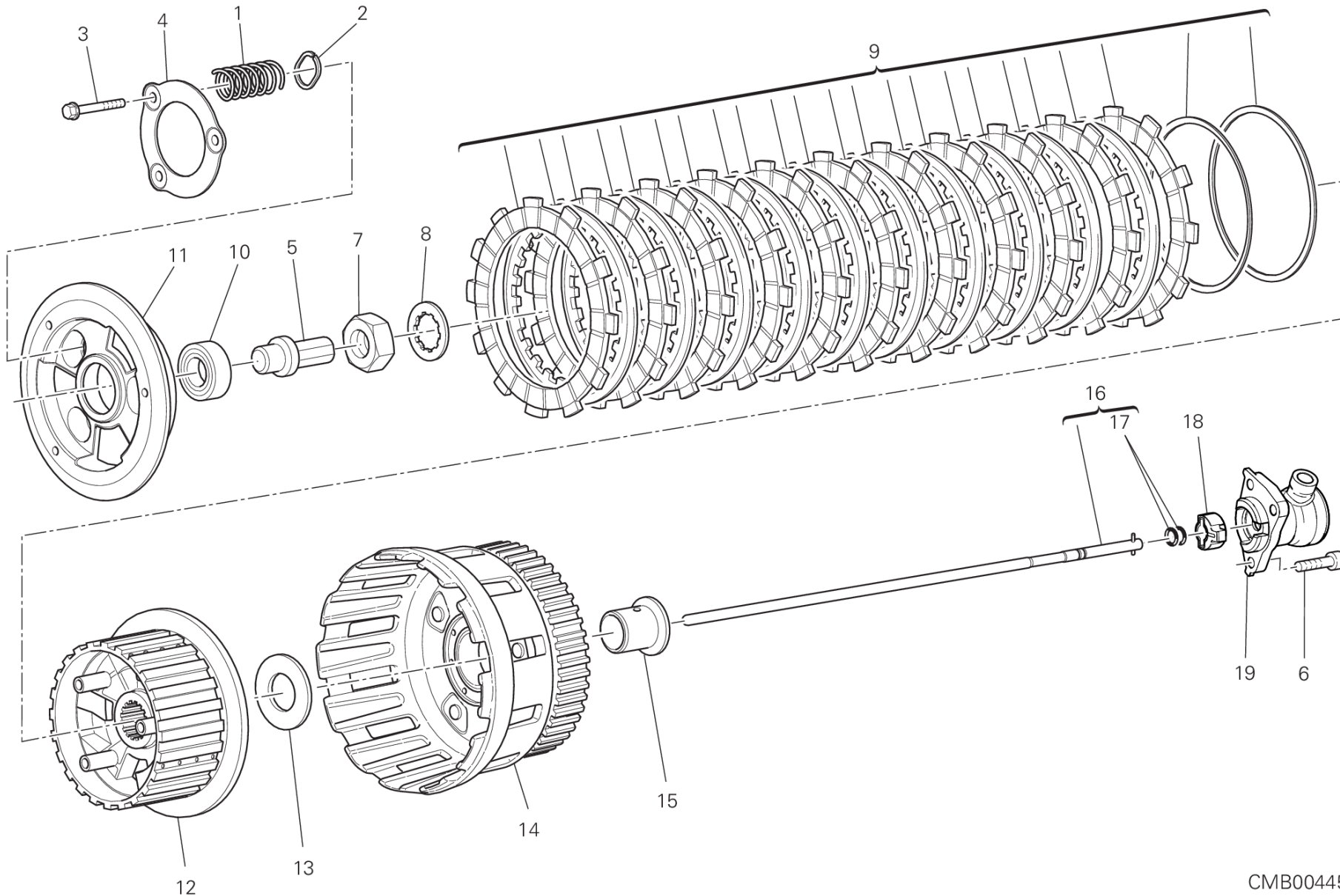
CMB00444

DRAWING 003 - GEAR BOX [MOD:MS1200E]

GROUP ENGINE



POS.	CODE	DESCRIPTION	QTY	START DATE	END DATE	VALIDITY	NOTES
1	75010071A	NUT M25X1.5	1	19/03/2015			
2	14911261A	GEARBOX MAIN SHAFT	1	14/09/2015			
3	15022131A	COMPLETE LAY SHAFT	1	14/09/2015			
4	70140051A	BEARING, NEEDLE	5	19/02/2013			
5	17213291C	GEAR DRIVE 5TH SPEED	1	19/02/2013			
6	85611372A	WASHER LOCK 28X32.5X1	6	19/02/2013			
7	88210151A	SPRING RING 25X29X2.4	6	19/02/2013			
8	17213281C	GEAR, 3RD-4TH PINION	1	19/02/2013			
9	17213301C	GEAR DRIVE 6TH SPEED	1	19/02/2013			
10	17213271A	DRIVING GEAR 2ND SP.	1	19/02/2013			
11	71310141E	THRUST WASHER 20.3X32X1.6	1	16/05/2011			
12	44910571B	CHAIN PINION T15	1	17/09/2013			
13	71319951A	SPACER, ENGINE SPROCKET	1	18/06/2014			
14	46320537A	O-RING	1	25/03/2013			
15	71312661A	THRUST WASHER 17.3X31X3.15	1	19/02/2013			
16	85110041A	WASHER, LOCK	1	19/03/2015			
17	764020002	BEARING, NEEDLE	1	24/12/2009			
18	17215081A	DRIVEN GEAR 1ST SP.	1	14/09/2015			
19	067016155	THRUST WASHER 1 MM	1	24/12/2009			
20	17213351B	DRIVEN GEAR 5TH SPEED 23T	1	19/02/2013			
21	17213341B	DRIVEN GEAR 4TH SPEED T:24	1	19/02/2013			
22	17213331B	DRIVEN GEAR 3RD SPEED T27	1	19/02/2013			
23	17213361B	DRIVEN GEAR 6TH SPEED T22	1	19/02/2013			
24	17213321A	DRIVEN GEAR 2ND SP.	1	24/12/2009			
25	14910891C	DRIVEN SHAFT	1	19/02/2013			
26	15022121A	COMPLETE MAIN SHAFT	1	14/09/2015			



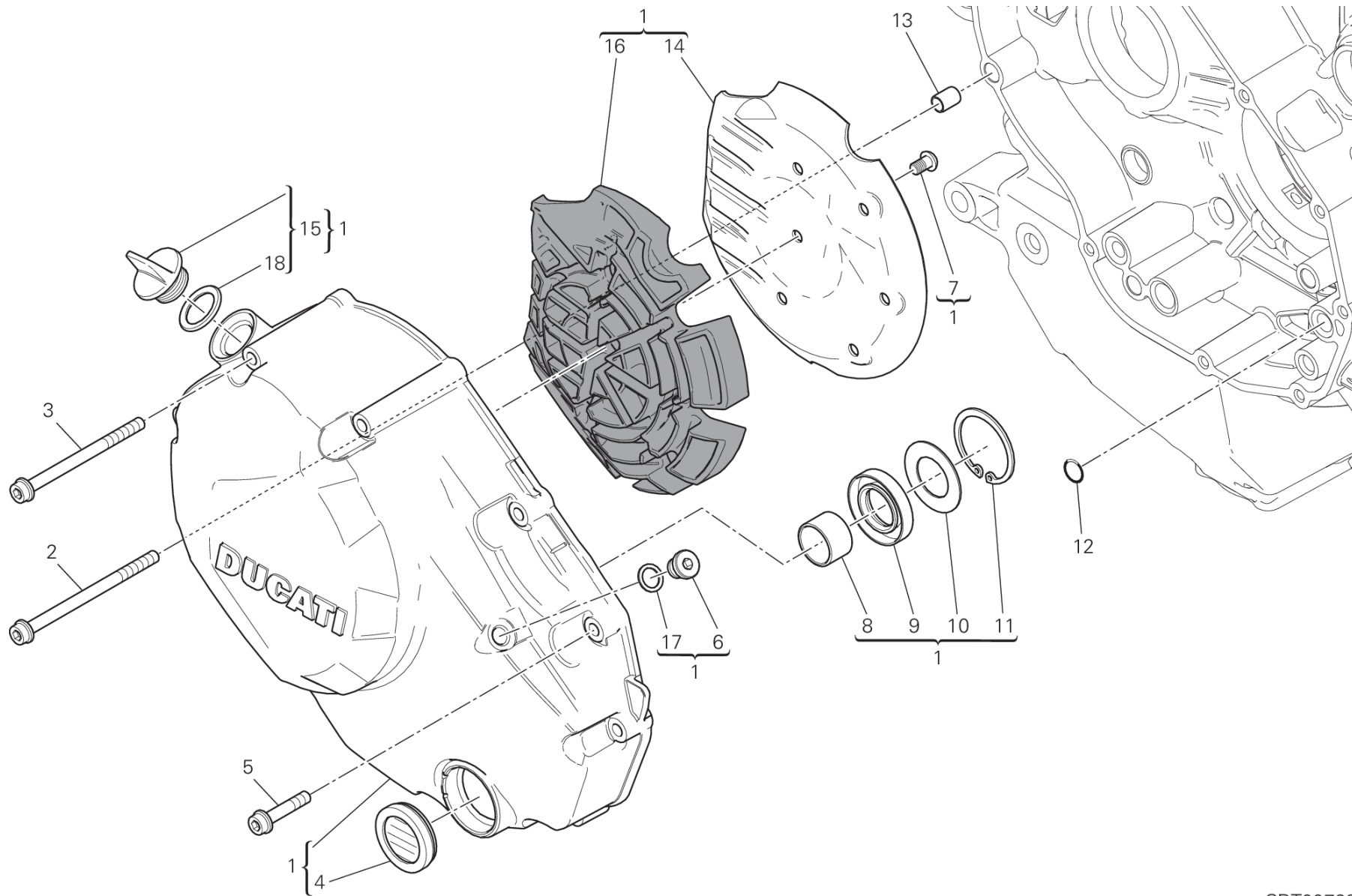
CMB00445

DRAWING 004 - CLUTCH [MOD:MS1200E]

GROUP ENGINE



POS.	CODE	DESCRIPTION	QTY	START DATE	END DATE	VALIDITY	NOTES
1	79710531B	SPRING	3	09/09/2014			
2	85611391B	THRUST WASHER	3	02/05/2012			
3	77211201A	SCREW	3	02/05/2012			
4	19410511A	RING	1	02/05/2012			
5	81810162A	CLUTCH CONTROL PIN (FCC)	1	25/03/2013			
6	77156678B	SCREW TCEIF M6X20	3	08/05/2013			
7	75010071E	NUT M25X1.5	1	25/03/2013			
8	85110201A	LOCK WASHER	1	25/03/2013			
9	19020232A	CLUTCH DISC SET	1	02/05/2012			
10	70250601A	BEARING	1	02/05/2012			
11	19610542C	DISK, CLUTCH PRESSURE (FCC)	1	06/09/2013			
12	19610532C	PLATE HOLDER HUB (FCC)	1	06/09/2013			
13	71313091A	SPACER	1	02/05/2012			
14	19820391A	CLUTCH HOUSING	1	02/05/2012			
15	71314831A	SPACER	1	17/10/2012			
16	11721112A	CLUTCH CONTROL ROD	1	25/03/2013			
17	88641731A	O-RING 1.78X4.76	2	18/07/2011			
18	71320043A	ANTI-ROTATION INSERT	1	08/05/2013			
19	19540031C	PISTON ASSEMBLY	1	24/02/2015			



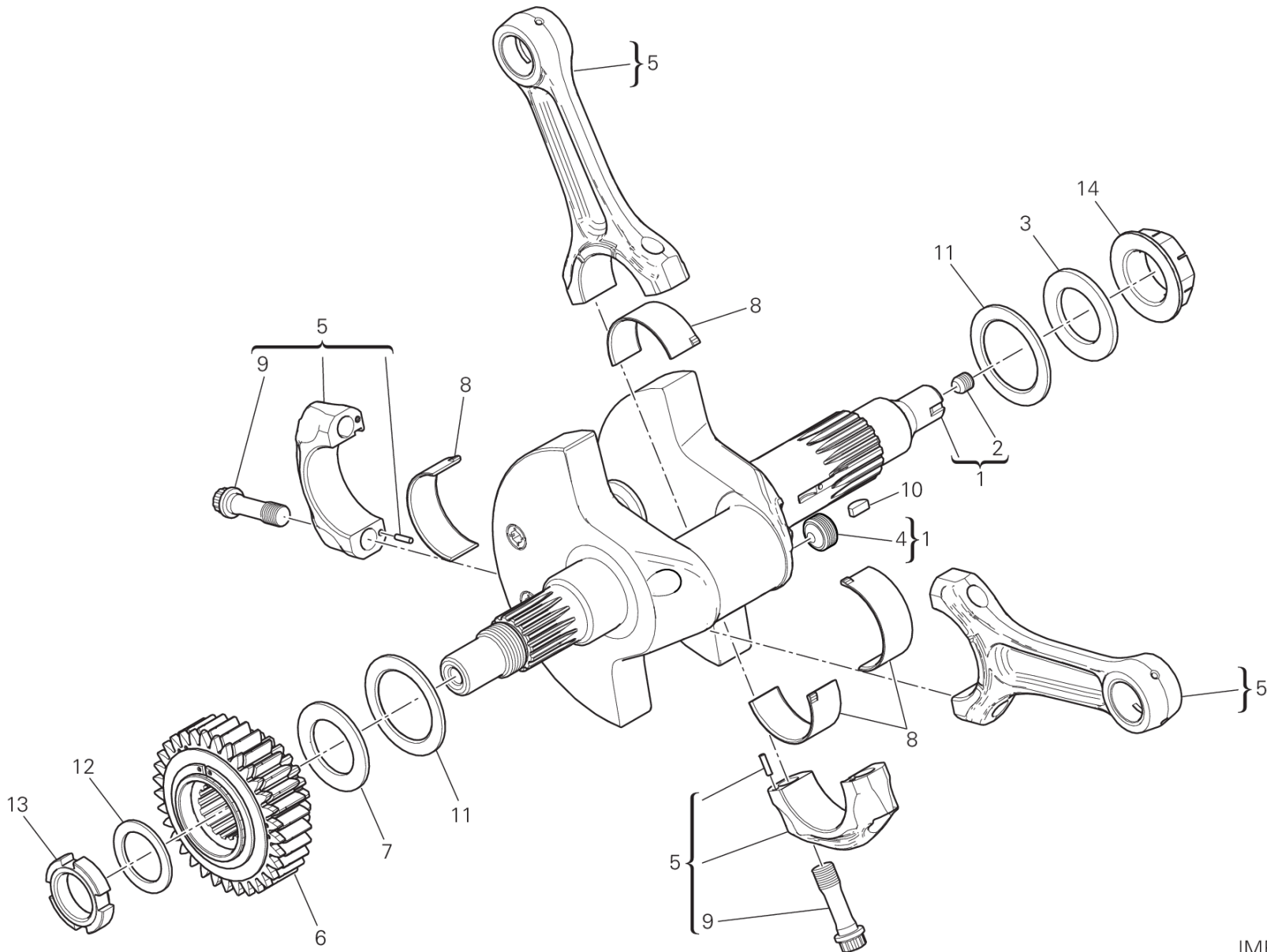
CRT00729

DRAWING 005 - CLUTCH COVER [MOD:MS1200E]

GROUP ENGINE



POS.	CODE	DESCRIPTION	QTY	START DATE	END DATE	VALIDITY	NOTES
1	24321444BB	COVER CLUTCH SIDE	1	15/07/2015			
2	77140833C	SCREW TCEIF M6X90 10.9	1	14/04/2014			
3	77140813C	SCREW TCEIF M6X80 10.9	3	14/04/2014			
4	25440012A	WINDOW, OIL LEVEL CHECK	1	01/01/2011			
5	77140713C	SCREW TCEIF M6X30 10.9	6	02/02/2015			
6	78011001B	PLUG	1	27/05/2015			
7	77510721A	SCREW	6	03/11/2014			
8	066549680	BUSH	1	01/01/2011			
9	93040211A	OIL SEAL	1	01/01/2011			
10	85213601A	WASHER, THRUST 22x37.8x1	1	03/11/2014			
11	88450711A	SPRING RING	1	03/11/2014			
12	88641321A	O-RING 11.11X1.78	1	25/03/2013			
13	71111601A	PIN DOWEL	1	25/03/2013			
14	82717571A	SHEET ACOUSTIC DAMPER	1	03/11/2014			
15	89320191A	PLUG ASSY	1	03/11/2014			
16	48610951A	DAMPER, SOUND ARRESTER	1	03/11/2014			
17	85250631A	WASHER	1	03/11/2014			
18	88642301A	O-RING	1	05/03/2014			



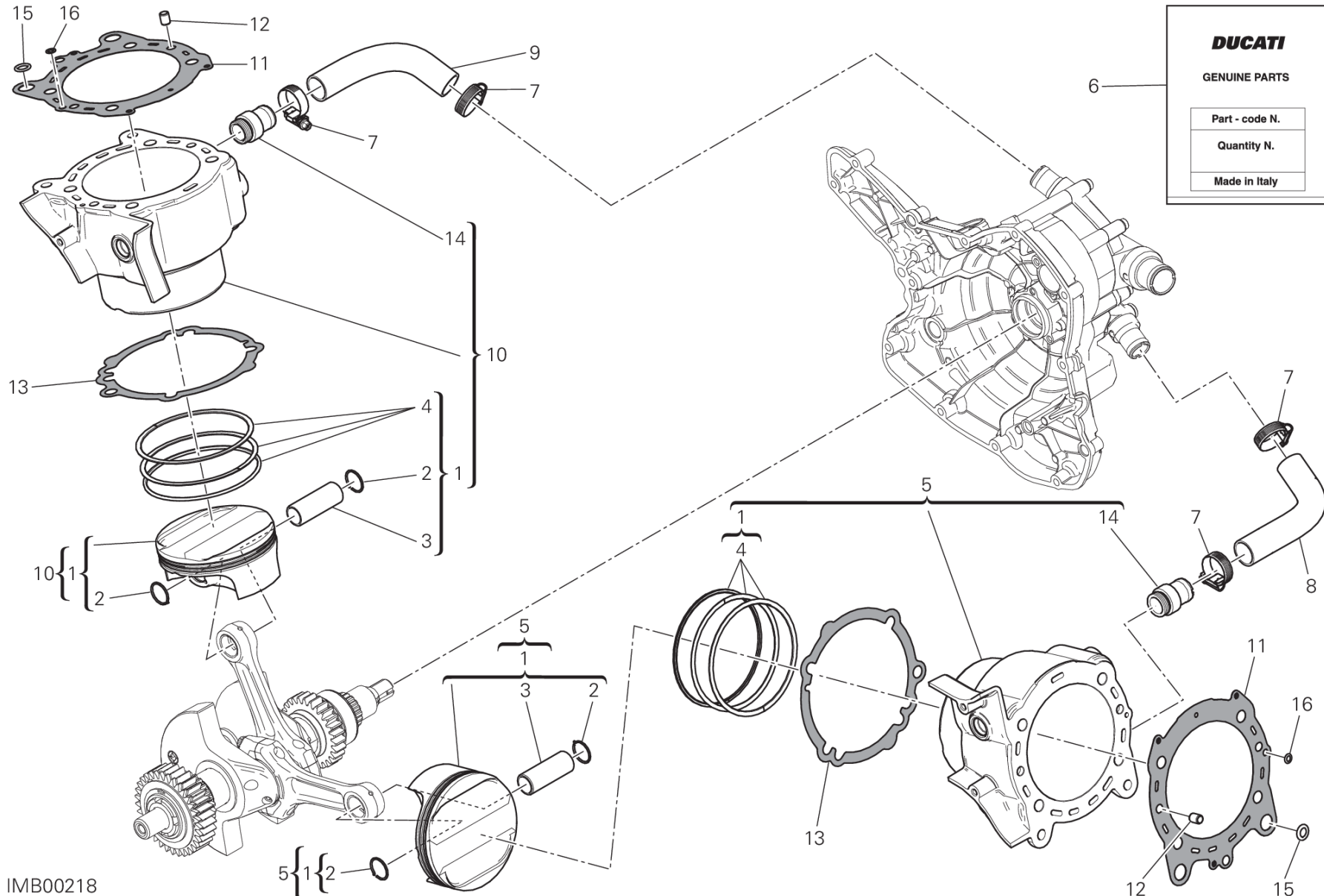
IMB00223

DRAWING 006 - CONNECTING RODS [MOD:MS1200E]

GROUP ENGINE



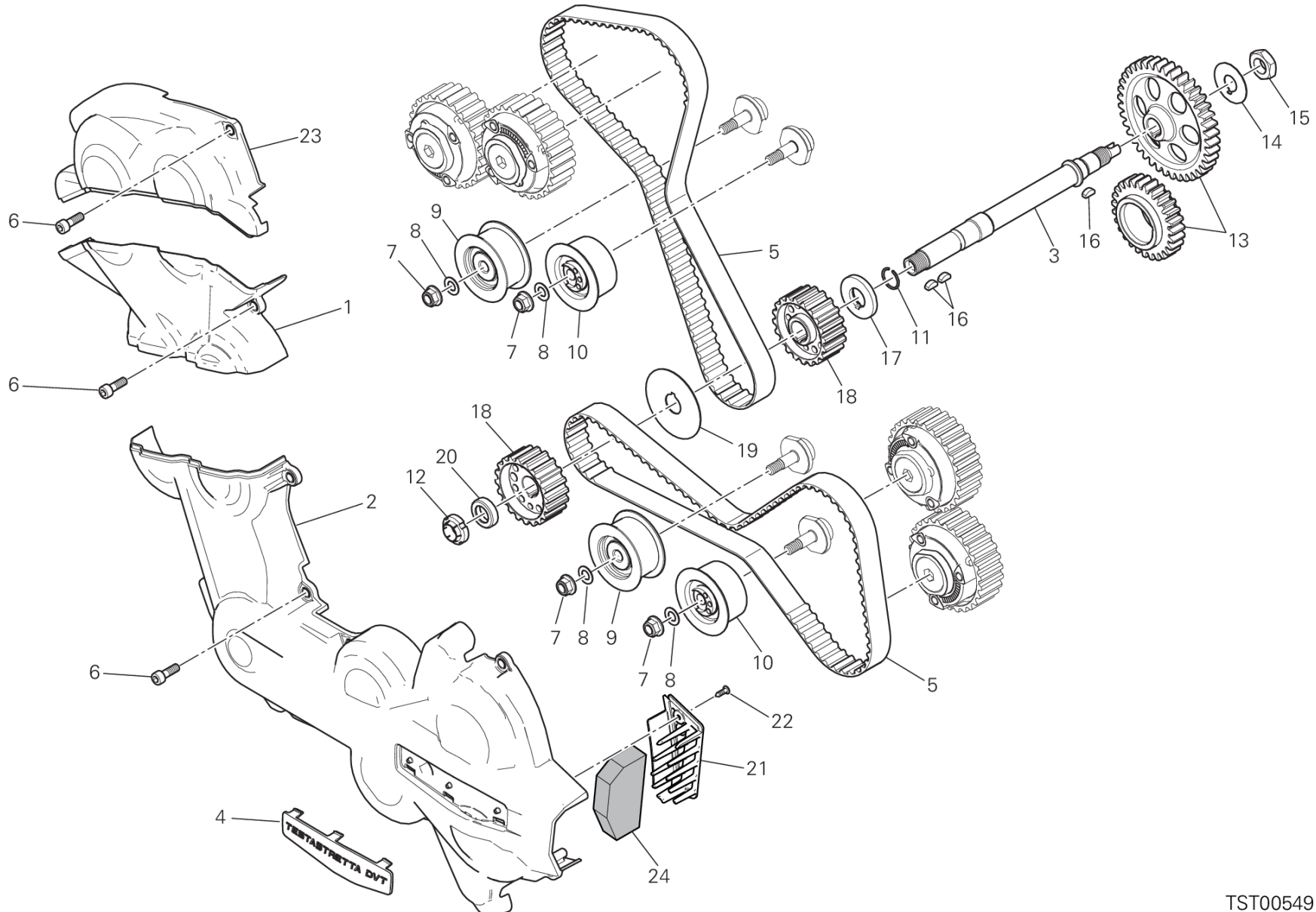
POS.	CODE	DESCRIPTION	QTY	START DATE	END DATE	VALIDITY	NOTES
1	14622271AR	DRIVE SHAFT COMPLETEO	1	30/04/2015			
2	77911092A	SCREW, SPECIAL	1	25/09/2012			
3	85213641A	WASHER	1	01/03/2014			
4	78010151A	THREADED PLUG M16X1	1	27/03/2015			
5	15820234A	CONNECTING RODS PAIR	1	25/03/2013			
6	17021251A	PRIMARY DRIVE FRONT SPROCKET	1	02/05/2012			
7	71011691A	SPACER	1	25/03/2013			
8	11210121AA	PLANE BEARING, CONNECTING ROD RED	4				
	11210121AB	PLANE BEARING, CONNECTING ROD BLUE	4	25/03/2013			
	11210121AC	PLANE BEARING, CONNECTING ROD YELLOW	4	25/03/2013			
	11210121AD	PLANE BEARING, CONNECTING ROD BLACK	4				
	11210121AE	PLANE BEARING, CONNECTING ROD GREEN	4				
9	77914043B	BOLT, CONNECTING ROD	4	01/01/2011			
10	68010131A	KEY, WOODRUFF 4X5X10	1	25/03/2013			
11	85212881D	SHIM 50X35X2.05	2	25/03/2013			
12	85140051A	LOCK WASHER	1	25/03/2013			
13	75011561A	RING NUT	1	25/03/2013			
14	75011971A	NUT, FLANGE	1	01/03/2014			



IMB00218



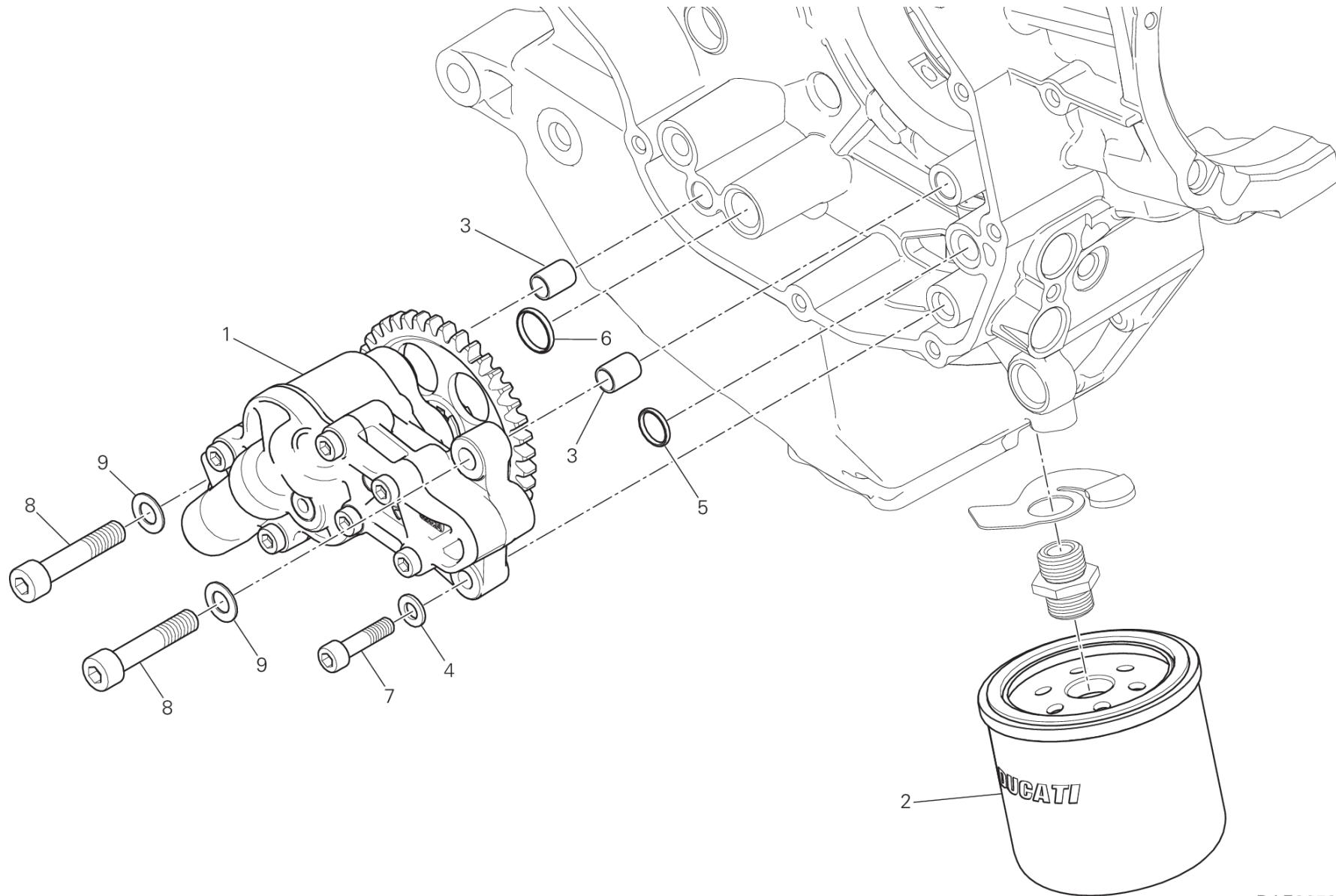
POS.	CODE	DESCRIPTION	QTY	START DATE	END DATE	VALIDITY	NOTES
1	12221952A	PISTON ASSY	2	09/09/2014			
2	12112481A	CIRCLIP, PISTON PIN	4	01/10/2010			
3	12110781B	PISTON PIN	2	01/10/2010			
4	12120521A	PISTON RING SET	2	01/10/2010			
5	12022461B	CYLINDER-PISTON FIT HORIZONTAL	1	09/09/2014			
6	79120541B	GASKETS SET	1	09/09/2014			
7	74141921A	CLAMP 16-27 MM	4	25/03/2013			
8	80011851A	HOSE, HORIZONTAL CYLINDER WATER INLET	1	01/03/2014			
9	80012483A	HOSE, VERTICAL CYLINDER WATER INLET	1	01/03/2014			
10	12022471B	CYLINDER-PISTON FIT VERTICAL	1	09/09/2014			
11	78611001B	GASKET, CYLINDER HEAD	2	09/09/2014			
12	71112191A	PIN DOWEL	4	25/03/2013			
13	78611251A	GASKET, CYLINDER	2	17/01/2013			
14	66810482A	WATER PUMP DELIVERY PIPE UNION	2	09/09/2014			
15	88641701A	O-RING	4	09/09/2014			
16	88641731A	O-RING 1.78X4.76	2	09/09/2014			



TST00549



POS.	CODE	DESCRIPTION	QTY	START DATE	END DATE	VALIDITY	NOTES
1	24511451A	VERTICAL BELT OUTER COVER BOTTOM	1	01/03/2014			
2	24511442A	HORIZONTAL BELT EXTERNAL COVER	1	23/03/2015			
3	14710941A	LAYSHAFT TIMING	1	01/03/2014			
4	24511562A	MARKING PLATE	1	10/11/2014			
5	73740321A	TIMING DRIVE TOOTHED BELT	2	01/03/2014			
6	77113801A	SCREW	16	25/03/2013			
7	74940081A	NUT M8	4	25/03/2013			
8	85310021A	SPRING WASHER 8 MM	4	25/03/2013			
9	45120272A	TENSIONER TIMING BELT FIXED	2	25/03/2013			
10	45120291A	COMPLETE MOVABLE TENSIONER ROLLER	2	25/03/2013			
11	88210031A	SNAP RING	1	25/03/2013			
12	70350062A	ELASTIC-STOP RING NUT	1	25/03/2013			
13	17121121A	TIMING GEARS SET	1	01/03/2014			
14	85110131A	WASHER, LOCK	1	25/03/2013			
15	75011601A	NUT M14X1X7	1	25/03/2013			
16	68010131A	KEY, WOODRUFF 4X5X10	3	25/03/2013			
17	71611281A	SPACER	1	25/03/2013			
18	25510104B	PULLEY, TIMING BELT	2	25/03/2013			
19	85610623A	WASHER, BELT PULLEY	1	25/03/2013			
20	71610722A	SPACER	1	25/03/2013			
21	24511471A	BRACKET, FILTER	1	28/11/2013			
22	77250341C	SCREW	2	30/09/2010			
23	24511462A	COVER, TIMING BELT INSIDE UPPER	1	09/04/2015			
24	42710201A	FILTER, AIR	1	23/03/2015			



RAF00532

DRAWING 009 - OIL PUMP - FILTER [MOD:MS1200E]

GROUP ENGINE

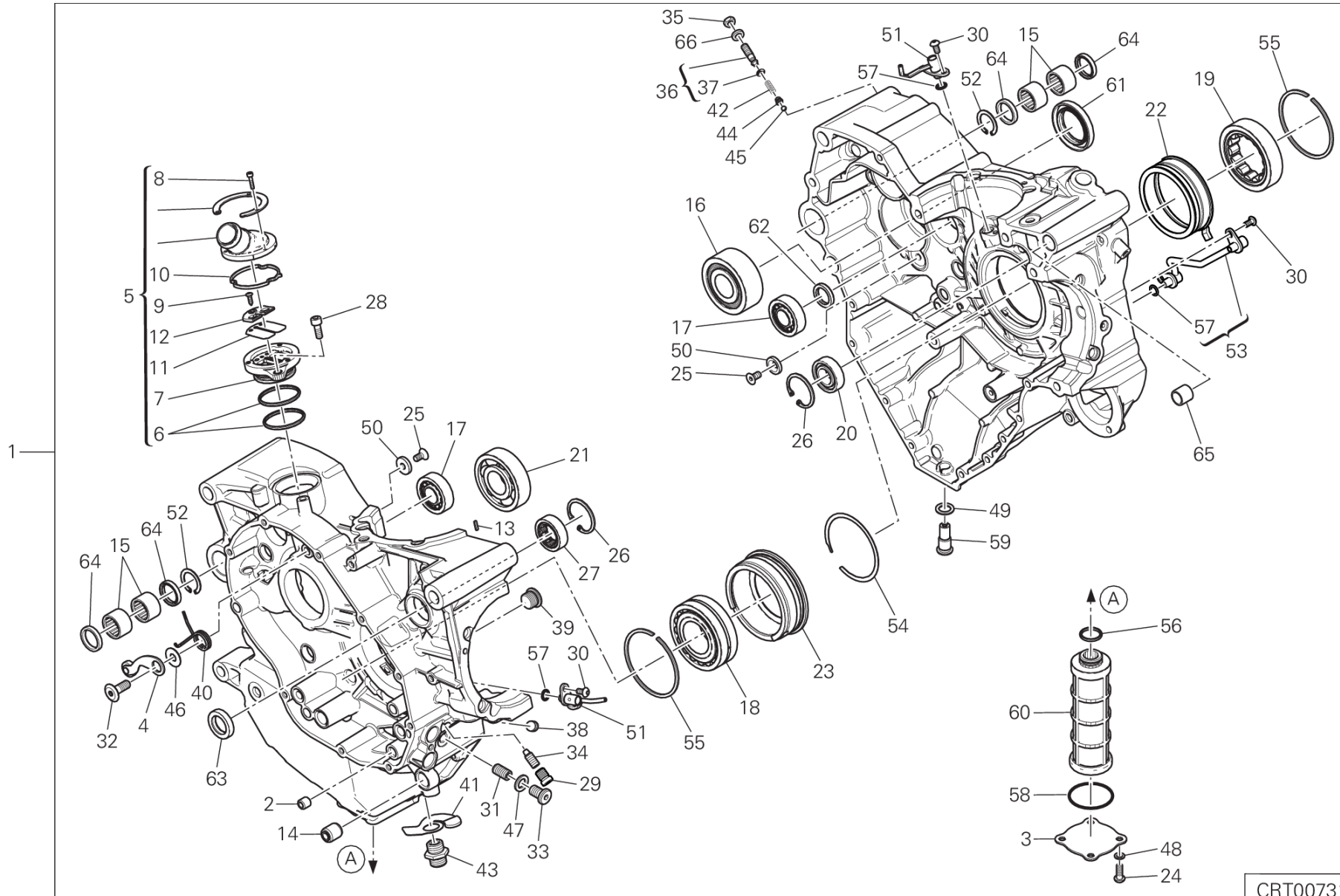


POS.	CODE	DESCRIPTION	QTY	START DATE	END DATE	VALIDITY	NOTES
1	24920442A	OIL PUMP ASSY	1	01/09/2014			
2	44440035A	FILTER, OIL	1	25/03/2013			
3	075949280	LOCATING DOWEL	2	21/03/2013			
4	85310041A	SPRING WASHER 6 MM	1	21/03/2013			
5	88641321A	O-RING 11.11X1.78	1	21/03/2013			
6	88640371A	O-RING 14X1.78	1	21/03/2013			
7	77110518B	SCREW TCEI M6X25	1	21/03/2013			
8	77151298B	SCREW TCEI M8X40	2	21/03/2013			
9	85310021A	SPRING WASHER 8 MM	2	21/03/2013			



DRAWING 010 - HALF-CRANKCASES PAIR [MOD:MS1200E]

GROUP ENGINE



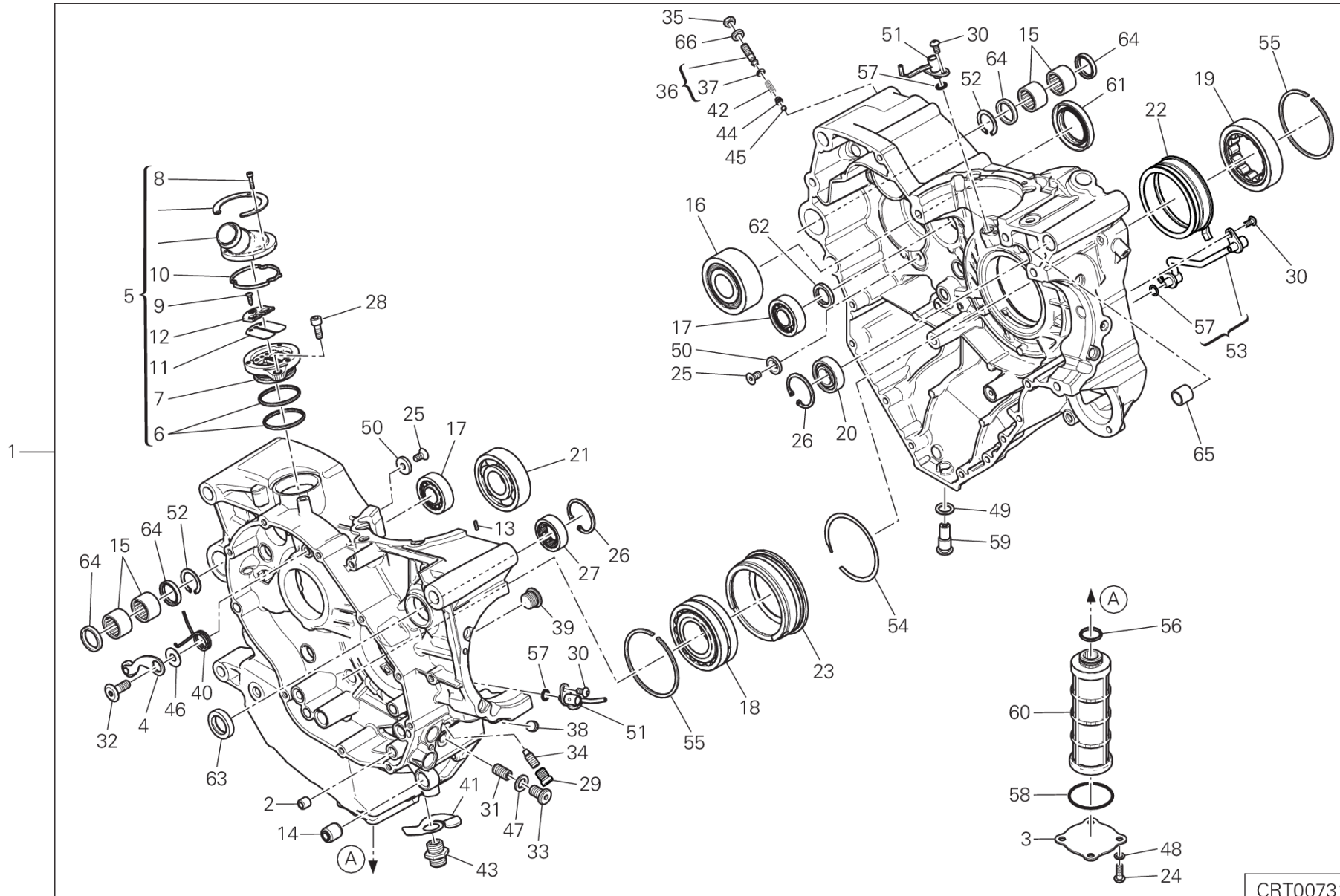
CRT00731

DRAWING 010 - HALF-CRANKCASES PAIR [MOD:MS1200E]

GROUP ENGINE



POS.	CODE	DESCRIPTION	QTY	START DATE	END DATE	VALIDITY	NOTES
1	22520061B	COMPLETE HALF-CRANKCASES PAIR	1	01/02/2016			
2	067049310	BUSH	1	08/01/2015			
3	24713511C	FILTER COVER UNIT	1	08/01/2015			
4	45520181A	GEAR FIXING CLICK ASSEMBLY	1	08/01/2015			
5	59320641D	VALVE, BREATHER	1	08/01/2015			
6	46320222A	O-RING	2	06/07/2012			
7	59310601B	HOLDER READ VALVE	1	06/07/2012			
8	77150078B	SCREW	3	06/07/2012			
9	77250341B	SCREW, TAPPING 3.5X12	1	06/07/2012			
10	78811151A	GASKET	1	06/07/2012			
11	81110021A	REED VALVE ASSY	1	06/07/2012			
12	82716031A	SPACER	1	06/07/2012			
13	68050101A	KEY 2X2X10	1	08/01/2015			
14	70010362A	DAMPER	1	08/01/2015			
15	764000004	BEARING, NEEDLE	4	08/01/2015			
16	70240131A	BEARING	1	08/01/2015			
17	70240331A	BEARING 17X40X12	2	08/01/2015			
18	70241151A	BEARING	1	01/03/2014			
19	70241161A	BEARING	1	01/03/2014			
20	70250081A	BALL BEARING 6003 TN9 C3	1	08/01/2015			
21	70250193A	BEARING	1	08/01/2015			
22	71011991B	BUSHING	1	22/10/2015			
23	71011941A	BUSHING	1	08/01/2015			
24	72050338B	SCREW	4	08/01/2015			
25	720941616	SCREW TSPEI M6X12	4	08/01/2015			
26	735033380	CIRCLIP	2	08/01/2015			
27	757941542	BEARING	1	08/01/2015			
28	77150653B	SCREW TCEI M6X16 UNI5931 8.8	1	08/01/2015			
29	78011041A	SCREW, SPECIAL	1	22/10/2015			
30	77510311B	SCREW TBEI M5X10	4	08/01/2015			
31	77840041A	THREADED DOWEL M10X1	1	08/01/2015			
32	77910391A	SCREW M8X21.5	1	08/01/2015			
33	77911622A	SCREW TCEI M10X1.5X16	1	08/01/2015			
34	77917101B	SCREW, SPECIAL	1	08/01/2015			
35	74710151A	NUT	1	08/01/2015			



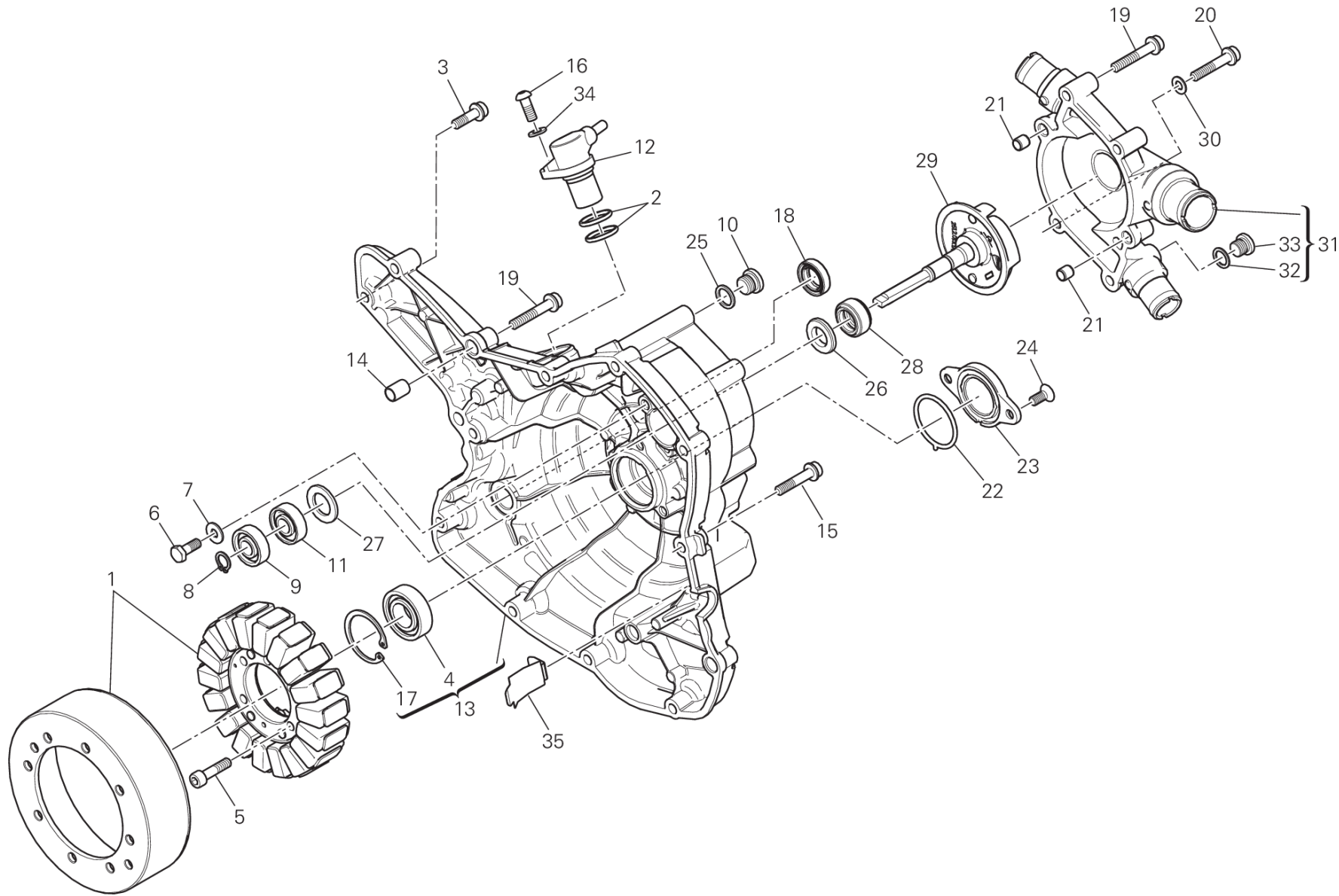
CRT00731

DRAWING 010 - HALF-CRANKCASES PAIR [MOD:MS1200E]

GROUP ENGINE



POS.	CODE	DESCRIPTION	QTY	START DATE	END DATE	VALIDITY	NOTES
36	77927171A	SCREW	1	08/01/2015			
37	88641961A	O-RING	1	18/04/2011			
38	77950621A	THREADED DOWEL M10X1	1	08/01/2015			
39	78010721A	PLUG BY-PASS M16X1.5	1	08/01/2015			
40	79910491A	SPRING, RETURN	1	08/01/2015			
41	79920772A	BYPASS SPRING	1	08/01/2015			
42	79940171A	SPRING	1	08/01/2015			
43	81510281A	BOLT UNION	1	08/01/2015			
44	83110151B	PLATE	1	08/01/2015			
45	84740061A	BALL	1	08/01/2015			
46	85210532A	WASHER 8.2X20X1	1	08/01/2015			
47	85211951A	GASKET 10.5X17X2	1	08/01/2015			
48	85250231A	GASKET	4	08/01/2015			
49	85250421A	COPPER GASKET 12.2X18X1.5 MM	1	08/01/2015			
50	85611481A	WASHER	4	08/01/2015			
51	87512131A	JET	2	08/01/2015			
52	88440531A	SPRING RING	2	08/01/2015			
53	87522321A	HOSE, OIL	1	15/12/2015			
54	88440651A	SPRING RING	1	08/01/2015			
55	88450581A	SPRING RING	2	08/01/2015			
56	88640331A	O-RING 17.96X2.62	1	08/01/2015			
57	88641181A	O-RING	4	08/01/2015			
58	88641581A	O-RING	1	08/01/2015			
59	89320062A	PLUG, OIL DRAIN	1	08/01/2015			
60	89410241A	OIL NET FILTER	1	08/01/2015			
61	93040221A	SEAL, OIL 35X52X7	1	08/01/2015			
62	93040931A	SEAL, OIL 17X25X4	1	08/01/2015			
63	93041231A	SEAL, OIL 18X30X6	1	08/01/2015			
64	93041271A	SEAL RING 20X26X4	4	08/01/2015			
65	71110951A	PIN DOWEL	2	08/01/2015			
66	85640141A	WASHER	1	27/03/2015			



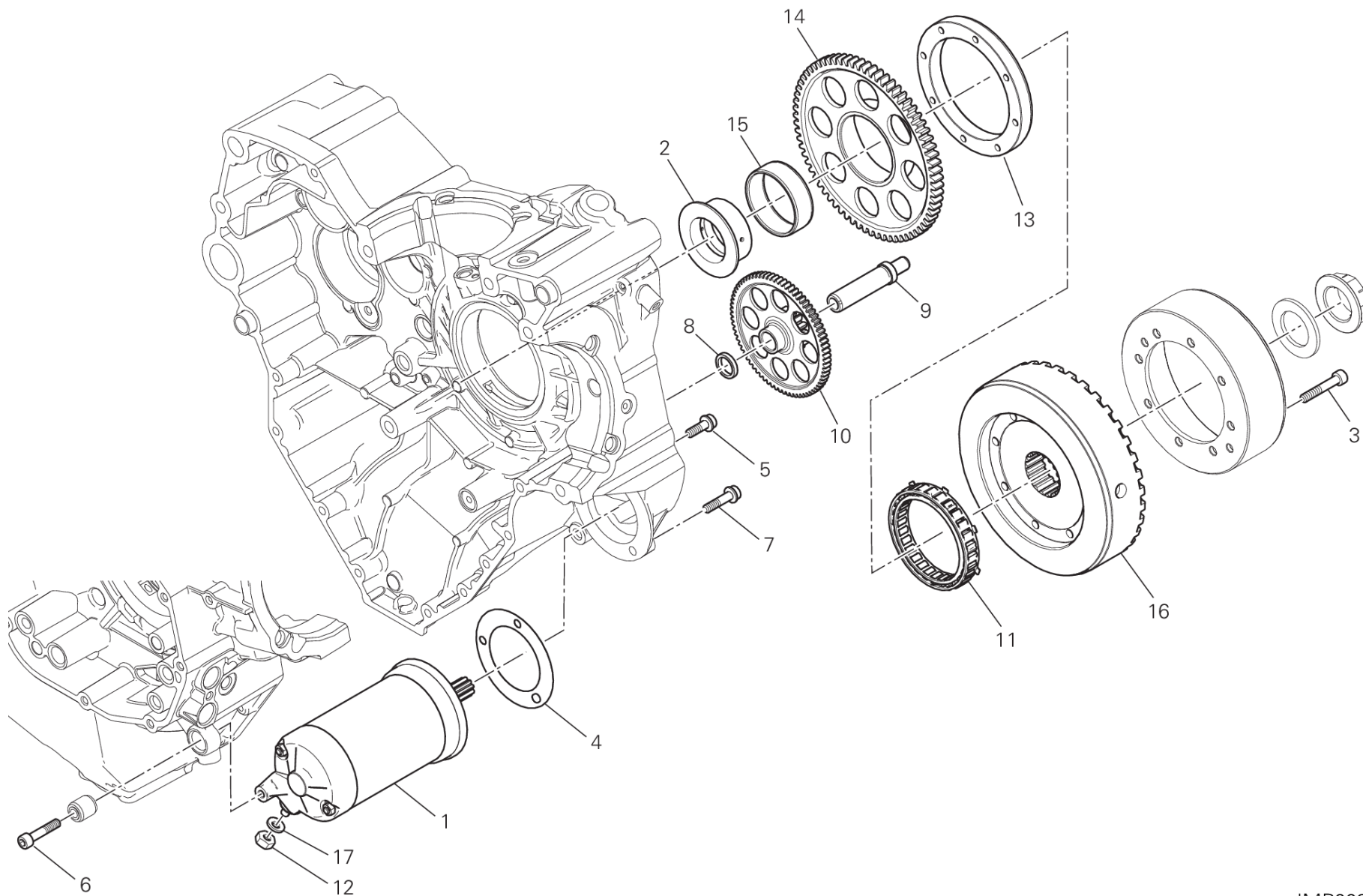
CRT00730

DRAWING 011 - GENERATOR COVER [MOD:MS1200E]

GROUP ENGINE



POS.	CODE	DESCRIPTION	QTY	START DATE	END DATE	VALIDITY	NOTES
1	26420541A	GENERATOR	1	07/07/2014			
2	88640331A	O-RING 17.96X2.62	2	08/01/2015			
3	77140673C	SCREW	2	25/03/2013			
4	70250081A	BALL BEARING 6003 TN9 C3	1	01/05/2010			
5	77110518B	SCREW TCEI M6X25	3	01/05/2010			
6	77052508B	SCREW TE M6X16	2	01/05/2010			
7	85211721A	WASHER 6X14.2X1.3	2	01/05/2010			
8	88450431A	CIRCLIP	1	08/01/2015			
9	70240102A	BEARING	1	01/05/2010			
10	77910262A	SCREW M12X1	1	08/01/2015			
11	70240091A	BALL BEARING 6000	1	01/05/2010			
12	55241321C	SENSOR, TIMING & RPM	1	08/01/2015			
13	24221322AB	GENERATOR COVER	1	27/03/2015			
14	71111601A	PIN DOWEL	2	25/03/2013			
15	77140713C	SCREW TCEIF M6X30 10.9	9	01/03/2014			
16	77550211B	SCREW TBEI M6X16 ISO7380 10.9	1	08/01/2015			
17	88450721A	SPRING RING	1	01/03/2014			
18	937831524	SEAL, OIL 15X24X6	1	01/05/2010			
19	77140723C	SCREW TCEIF M6X35 10.9	6	08/01/2015			
20	77113961A	SCREW	2	08/01/2015			
21	71110922A	BUSH	2	08/01/2015			
22	88610951A	O-RING 32.99X2.62	1	25/03/2013			
23	24713571AL	COVER, SENSOR	1	01/10/2015			
24	77750493C	SCREW	2	25/03/2013			
25	85250261A	GASKET, ALUMINIUM 12X16X1.5	1	01/05/2010			
26	93050051A	MECHANICAL SEAL	1	01/05/2010			
27	71311281B	SPACER	1	01/05/2010			
28	93050062B	MECHANICAL SEAL	1	01/05/2010			
29	25120131A	WATER PUMP ROTOR	1	08/01/2015			
30	85250481A	GASKET 6X12X1 DIN7603-A	2	08/01/2015			
31	24724481AE	COMPLETE WATER PUMP COVER	1	27/03/2015			
32	85250241A	WASHER 10X14X1	1	25/03/2013			
33	78050012A	PLUG, THREADED M10X1	1	06/05/2010			
34	85310031A	SPRING WASHER 6 MM	1	08/01/2015			
35	82716091A	PLATE	1	08/01/2015			



IMP00954

DRAWING 012 - ELECTRIC STARTING AND IGNITION [MOD:MS1200E]

GROUP ENGINE

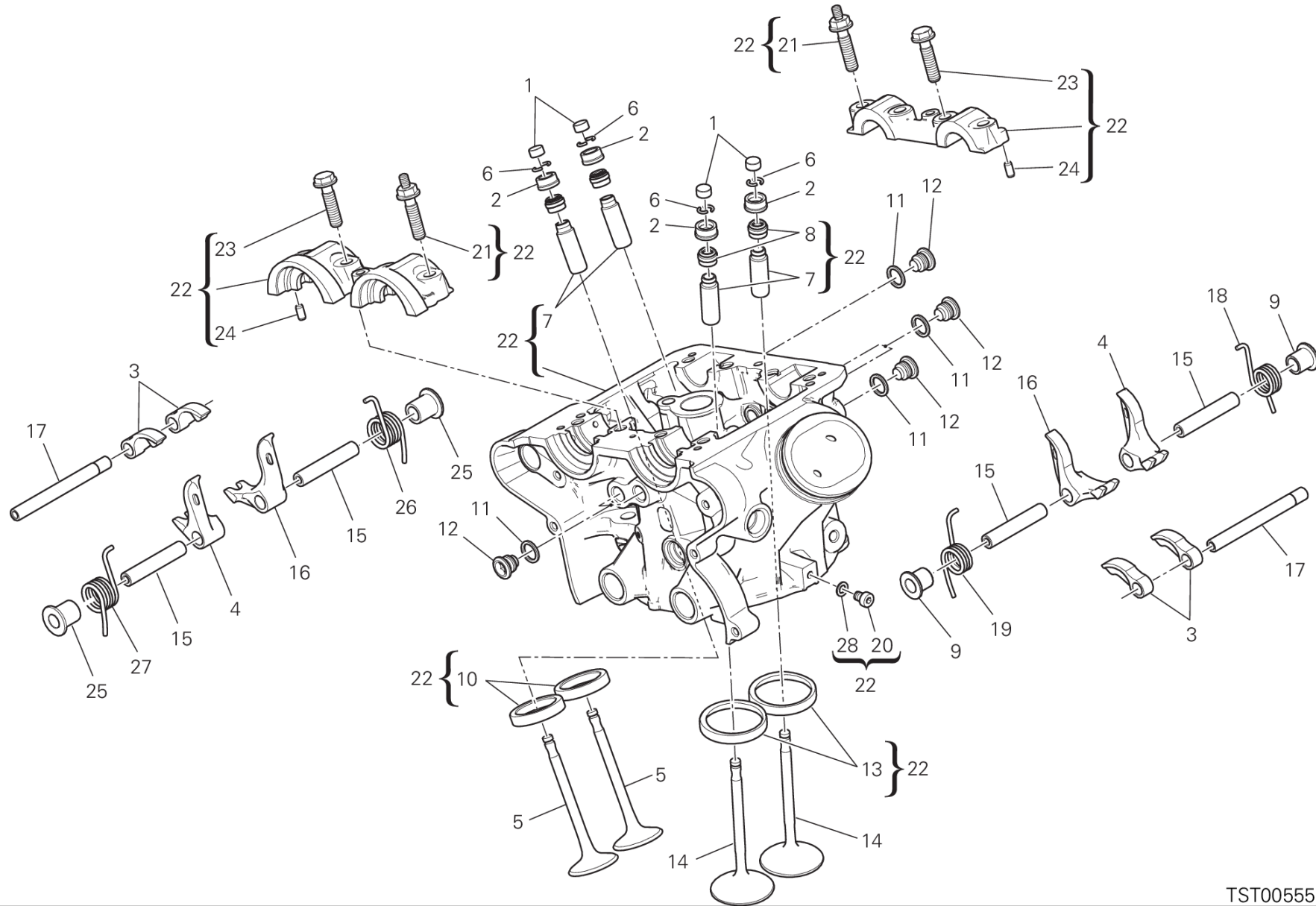


POS.	CODE	DESCRIPTION	QTY	START DATE	END DATE	VALIDITY	NOTES
1	27040104A	STARTING MOTOR	1	21/03/2013			
2	88110921A	INNER RING	1	01/03/2014			
3	77113931A	SCREW	8	01/03/2014			
4	78810542A	ENGINE STARTER GASKET	1	21/03/2013			
5	77140667CF	SCREW	2	02/02/2015			
6	77110521A	SCREW TCEI M6X30	1	21/03/2013			
7	77140697CF	SCREW 6x25	1	02/02/2015			
8	71319191A	SPACER	1	21/03/2013			
9	82113471A	STARTER REDUCTION SHAFT	1	21/03/2013			
10	176Z0021A	IDLE GEAR T74/13	1	21/03/2013			
11	70140501A	CLUTCH, ONE WAY	1	01/03/2014			
12	75050051A	NUT 6MM	1	08/05/2013			
13	16012121A	FLANGE STARTING CLUTCH	1	01/03/2014			
14	17310301A	ELECTRIC STARTER DRIVEN GEAR	1	01/03/2014			
15	70241461A	NEEDLE CAGE	1	01/09/2014			
16	27610881C	COUPLING, FLYWHEEL	1	27/03/2015			
17	85350091A	WASHER, SPRING	1	08/05/2013			



DRAWING 014 - VERTICAL CYLINDER HEAD [MOD:MS1200E]

GROUP ENGINE



TST00555

DRAWING 014 - VERTICAL CYLINDER HEAD [MOD:MS1200E]

GROUP ENGINE

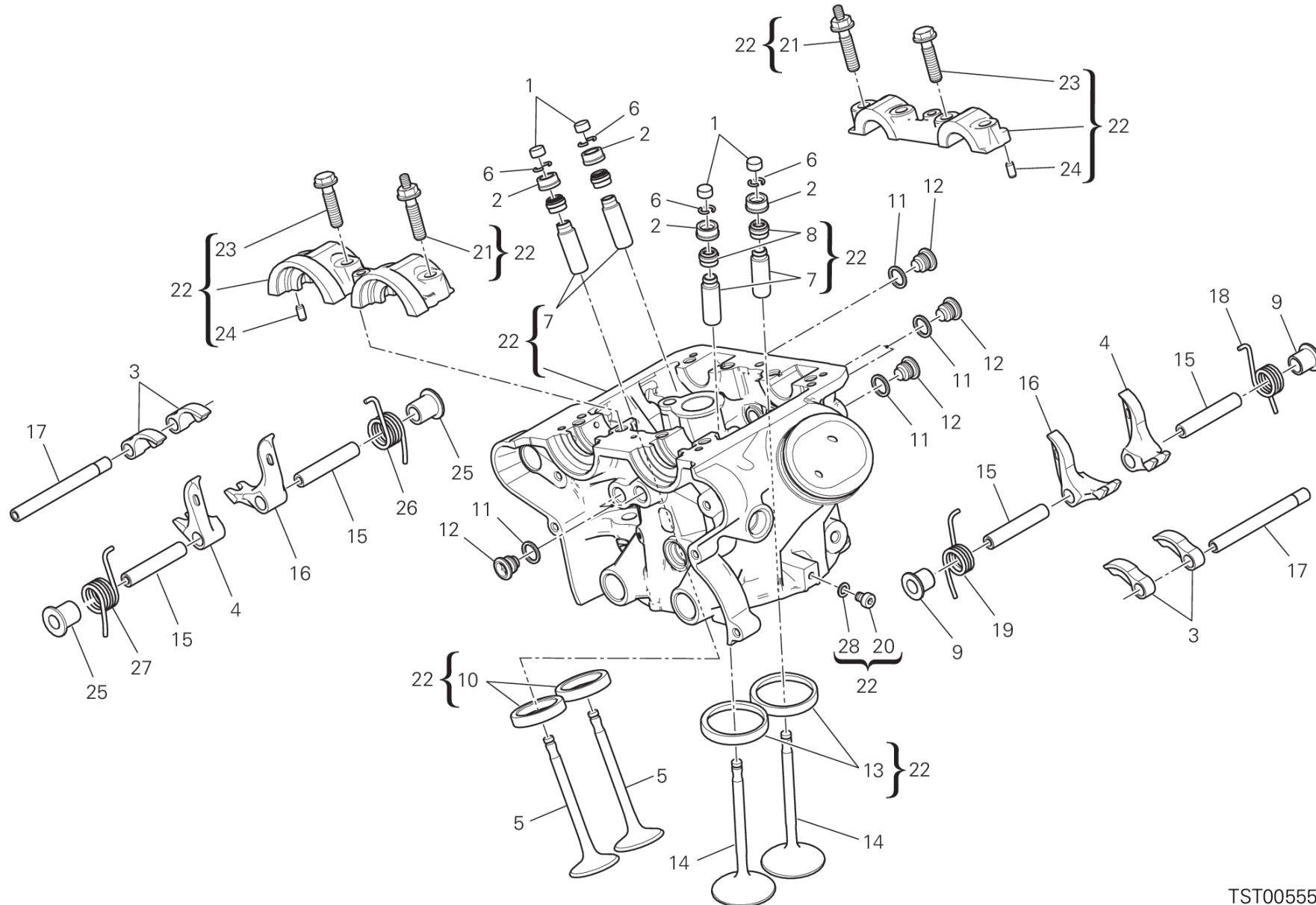


POS.	CODE	DESCRIPTION	QTY	START DATE	END DATE	VALIDITY	NOTES
1	84010012A	ADJUSTER, OPENING ROCKER ARM 2.00 MM	4	20/06/2012			
	84010022A	ADJUSTER, OPENING ROCKER ARM 2.05 MM	4	20/06/2012			
	84010032A	ADJUSTER, OPENING ROCKER ARM 2.10 MM	4	20/06/2012			
	84010042A	ADJUSTER, OPENING ROCKER ARM 2.15 MM	4	20/06/2012			
	84010052A	ADJUSTER, OPENING ROCKER ARM 2.20 MM	4	20/06/2012			
	84010062A	ADJUSTER, OPENING ROCKER ARM 2.25 MM	4	20/06/2012			
	84010072A	ADJUSTER, OPENING ROCKER ARM 2.30 MM	4	20/06/2012			
	84010082A	ADJUSTER, OPENING ROCKER ARM 2.35 MM	4	20/06/2012			
	84010092A	ADJUSTER, OPENING ROCKER ARM 2.40 MM	4	20/06/2012			
	84010102A	ADJUSTER, OPENING ROCKER ARM 2.45 MM	4	20/06/2012			
	84010112A	ADJUSTER, OPENING ROCKER ARM 2.50 MM	4	20/06/2012			
	84010122A	ADJUSTER, OPENING ROCKER ARM 2.55 MM	4	20/06/2012			
	84010132A	ADJUSTER, OPENING ROCKER ARM 2.60 MM	4	20/06/2012			
	84010142A	ADJUSTER, OPENING ROCKER ARM 2.65 MM	4	20/06/2012			
	84010152A	ADJUSTER, OPENING ROCKER ARM 2.70 MM	4	20/06/2012			
	84010162A	ADJUSTER, OPENING ROCKER ARM 2.75 MM	4	20/06/2012			
	84010172A	ADJUSTER, OPENING ROCKER ARM 2.80 MM	4	20/06/2012			
	84010182A	ADJUSTER, OPENING ROCKER ARM 2.85 MM	4	20/06/2012			
	84010192A	ADJUSTER, OPENING ROCKER ARM 2.90 MM	4	20/06/2012			
	84010202A	ADJUSTER, OPENING ROCKER ARM 2.95 MM	4	20/06/2012			
	84010212A	ADJUSTER, OPENING ROCKER ARM 3.00 MM	4	20/06/2012			
	84010222A	ADJUSTER, OPENING ROCKER ARM 3.05 MM	4	20/06/2012			
	84010232A	ADJUSTER, OPENING ROCKER ARM 3.10 MM	4	20/06/2012			
	84010242A	ADJUSTER, OPENING ROCKER ARM 3.15 MM	4	20/06/2012			
	84010252A	ADJUSTER, OPENING ROCKER ARM 3.20 MM	4	20/06/2012			
	84010262A	ADJUSTER, OPENING ROCKER ARM 3.25 MM	4	20/06/2012			
	84010272A	ADJUSTER, OPENING ROCKER ARM 3.30 MM	4	20/06/2012			
	84010282A	ADJUSTER, OPENING ROCKER ARM 3.35 MM	4	20/06/2012			
	84010292A	ADJUSTER, OPENING ROCKER ARM 3.40 MM	4	20/06/2012			
	84010302A	ADJUSTER, OPENING ROCKER ARM 3.45 MM	4	20/06/2012			
	84010312A	ADJUSTER, OPENING ROCKER ARM 1.80 MM	4	20/06/2012			
	84010322A	ADJUSTER, OPENING ROCKER ARM 1.85 MM	4	20/06/2012			
	84010332A	ADJUSTER, OPENING ROCKER ARM 1.90 MM	4	20/06/2012			
	84010342A	ADJUSTER, OPENING ROCKER ARM 1.95 MM	4	20/06/2012			
	84010722A	ADJUSTER, OPENING ROCKER ARM 3.60 MM	4	20/06/2012			



DRAWING 014 - VERTICAL CYLINDER HEAD [MOD:MS1200E]

GROUP ENGINE



TST00555

DRAWING 014 - VERTICAL CYLINDER HEAD [MOD:MS1200E]

GROUP ENGINE

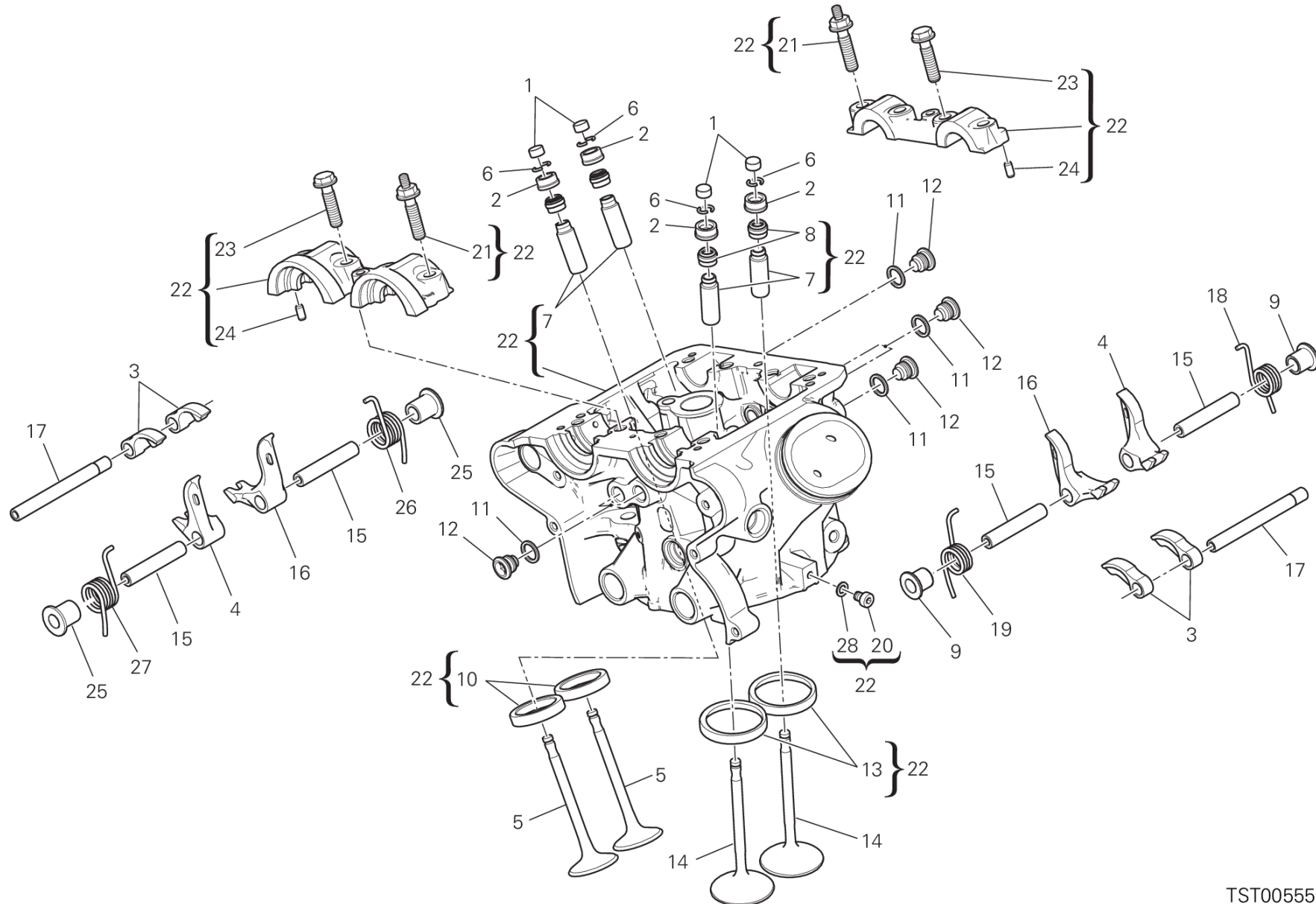


POS.	CODE	DESCRIPTION	QTY	START DATE	END DATE	VALIDITY	NOTES
	84010732A	ADJUSTER, OPENING ROCKER ARM 3.80 MM	4	20/06/2012			
	84011082A	ADJUSTER, OPENING ROCKER ARM 3.50 MM	4	20/06/2012			
	84011092A	ADJUSTER, OPENING ROCKER ARM 3.55 MM	4	20/06/2012			
	84011102A	ADJUSTER, OPENING ROCKER ARM 3.65 MM	4	20/06/2012			
	84011112A	ADJUSTER, OPENING ROCKER ARM 3.70 MM	4	20/06/2012			
	84011122A	ADJUSTER, OPENING ROCKER ARM 3.75 MM	4	20/06/2012			
	84011132A	ADJUSTER, OPENING ROCKER ARM 3.85 MM	4	20/06/2012			
	84011142A	ADJUSTER, OPENING ROCKER ARM 3.9 MM	4	20/06/2012			
2	84010412B	ADJUSTER, CLOSING ROCKER ARM 2.20 MM	4	24/12/2009			
	84010422B	ADJUSTER, CLOSING ROCKER ARM 2.25 MM	4	24/12/2009			
	84010432B	ADJUSTER, CLOSING ROCKER ARM 2.30 MM	4	24/12/2009			
	84010442B	ADJUSTER, CLOSING ROCKER ARM 2.35 MM	4	24/12/2009			
	84010452B	ADJUSTER, CLOSING ROCKER ARM 2.40 MM	4	24/12/2009			
	84010462B	ADJUSTER, CLOSING ROCKER ARM 2.45 MM	4	24/12/2009			
	84010472B	ADJUSTER, CLOSING ROCKER ARM 2.50 MM	4	24/12/2009			
	84010482B	ADJUSTER, CLOSING ROCKER ARM 2.55 MM	4	24/12/2009			
	84010492B	ADJUSTER, CLOSING ROCKER ARM 2.60 MM	4	24/12/2009			
	84010502B	ADJUSTER, CLOSING ROCKER ARM 2.65 MM	4	24/12/2009			
	84010512B	ADJUSTER, CLOSING ROCKER ARM 2.70 MM	4	24/12/2009			
	84010522B	ADJUSTER, CLOSING ROCKER ARM 2.75 MM	4	24/12/2009			
	84010532B	ADJUSTER, CLOSING ROCKER ARM 2.80 MM	4	24/12/2009			
	84010542B	ADJUSTER, CLOSING ROCKER ARM 2.85 MM	4	24/12/2009			
	84010552B	ADJUSTER, CLOSING ROCKER ARM 2.90 MM	4	24/12/2009			
	84010562B	ADJUSTER, CLOSING ROCKER ARM 2.95 MM	4	24/12/2009			
	84010572B	ADJUSTER, CLOSING ROCKER ARM 3.00 MM	4	24/12/2009			
	84010582B	ADJUSTER, CLOSING ROCKER ARM 3.05 MM	4	24/12/2009			
	84010592B	ADJUSTER, CLOSING ROCKER ARM 3.10 MM	4	24/12/2009			
	84010602B	ADJUSTER, CLOSING ROCKER ARM 3.15 MM	4	24/12/2009			
	84010612B	ADJUSTER, CLOSING ROCKER ARM 3.20 MM	4	24/12/2009			
	84010622B	ADJUSTER, CLOSING ROCKER ARM 3.25 MM	4	24/12/2009			
	84010632B	ADJUSTER, CLOSING ROCKER ARM 3.30 MM	4	24/12/2009			
	84010642B	ADJUSTER, CLOSING ROCKER ARM 3.35 MM	4	24/12/2009			
	84010652B	ADJUSTER, CLOSING ROCKER ARM 3.40 MM	4	24/12/2009			
	84010662B	ADJUSTER, CLOSING ROCKER ARM 3.45 MM	4	24/12/2009			
	84010672B	ADJUSTER, CLOSING ROCKER ARM 3.50 MM	4	24/12/2009			



DRAWING 014 - VERTICAL CYLINDER HEAD [MOD:MS1200E]

GROUP ENGINE



TST00555

DRAWING 014 - VERTICAL CYLINDER HEAD [MOD:MS1200E]

GROUP ENGINE

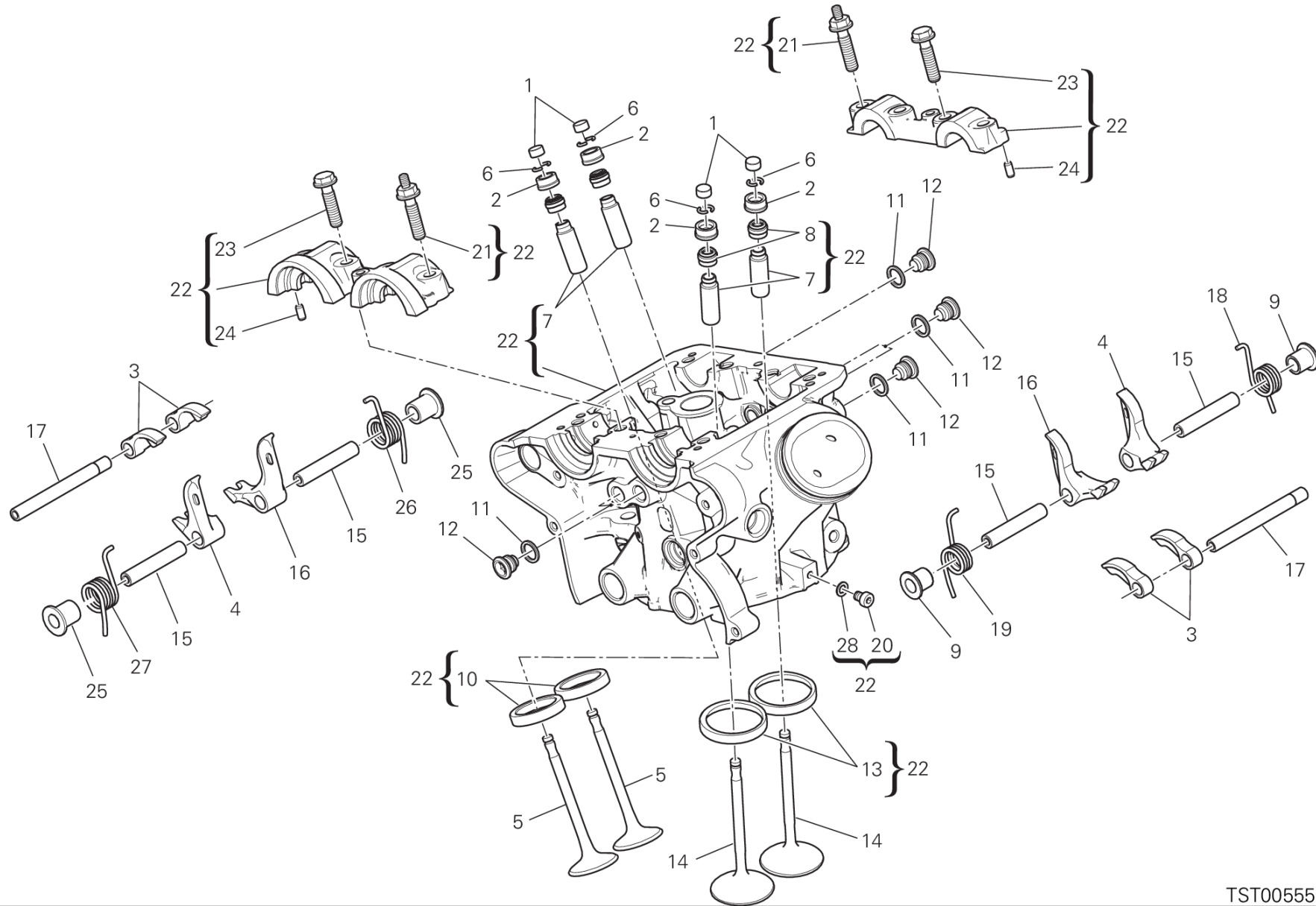


POS.	CODE	DESCRIPTION	QTY	START DATE	END DATE	VALIDITY	NOTES
	84010682B	ADJUSTER, CLOSING ROCKER ARM 3.55 MM	4	24/12/2009			
	84010692B	ADJUSTER, CLOSING ROCKER ARM 3.60 MM	4	24/12/2009			
	84010702B	ADJUSTER, CLOSING ROCKER ARM 3.65 MM	4	24/12/2009			
	84010712B	ADJUSTER, CLOSING ROCKER ARM 3.70 MM	4	24/12/2009			
	84010722B	ADJUSTER, CLOSING ROCKER ARM 3.75 MM	4	24/12/2009			
	84010732B	ADJUSTER, CLOSING ROCKER ARM 3.80 MM	4	24/12/2009			
	84010742B	ADJUSTER, CLOSING ROCKER ARM 3.85 MM	4	24/12/2009			
	84010752B	ADJUSTER, CLOSING ROCKER ARM 3.90 MM	4	24/12/2009			
	84010762B	ADJUSTER, CLOSING ROCKER ARM 3.95 MM	4	24/12/2009			
	84010772B	ADJUSTER, CLOSING ROCKER ARM 4.00 MM	4	24/12/2009			
	84010782B	ADJUSTER, CLOSING ROCKER ARM 4.05 MM	4	24/12/2009			
	84010792B	ADJUSTER, CLOSING ROCKER ARM 4.10 MM	4	24/12/2009			
	84010802B	ADJUSTER, CLOSING ROCKER ARM 4.15 MM	4	24/12/2009			
	84010812B	ADJUSTER, CLOSING ROCKER ARM 4.20 MM	4	24/12/2009			
	84010822B	ADJUSTER, CLOSING ROCKER ARM 4.25 MM	4	24/12/2009			
	84010832B	ADJUSTER, CLOSING ROCKER ARM 4.30 MM	4	24/12/2009			
	84010842B	ADJUSTER, CLOSING ROCKER ARM 4.35 MM	4	24/12/2009			
	84010852B	ADJUSTER, CLOSING ROCKER ARM 4.40 MM	4	24/12/2009			
	84010862B	ADJUSTER, CLOSING ROCKER ARM 4.45 MM	4	24/12/2009			
	84010872B	ADJUSTER, CLOSING ROCKER ARM 4.50 MM	4	24/12/2009			
3	20810321A	OPEN. ROCKER ARM	4	07/12/2012			
4	20910501A	CLOSING ROCKER ARM LEFT	2	07/12/2012			
5	21110831A	EXHAUST VALVE	2	07/12/2012			
6	66910011E	C RING	8	07/12/2012			
7	30310631BB	GUIDE, VALVE OVERSIZED 0.03 MM	4	21/03/2013			
	30310631BC	GUIDE, VALVE OVERSIZED 0.06 MM	4	25/03/2013			
	30310631BD	GUIDE, VALVE OVERSIZED 0.09 MM	4	21/03/2013			
8	76410871A	SEAL VALVE STEM	4	03/04/2012			
9	71312921A	SPACER	2	07/12/2012			
10	30410891A	SEAT, EXHAUST VALVE	2	03/04/2012			
	30410891AB	SEAT, EXHAUST VALVE +0.03 MM	2	25/03/2013			
	30410891AC	SEAT, EXHAUST VALVE +0.06 MM	2	25/03/2013			
11	85250261B	GASKET, ALUMINIUM 12X16X1.5	6	07/12/2012			
12	78010511E	PLUG	8	07/12/2012			
13	30410881A	SEAT, INTAKE VALVE	2	03/04/2012			



DRAWING 014 - VERTICAL CYLINDER HEAD [MOD:MS1200E]

GROUP ENGINE



TST00555

DRAWING 014 - VERTICAL CYLINDER HEAD [MOD:MS1200E]

GROUP ENGINE

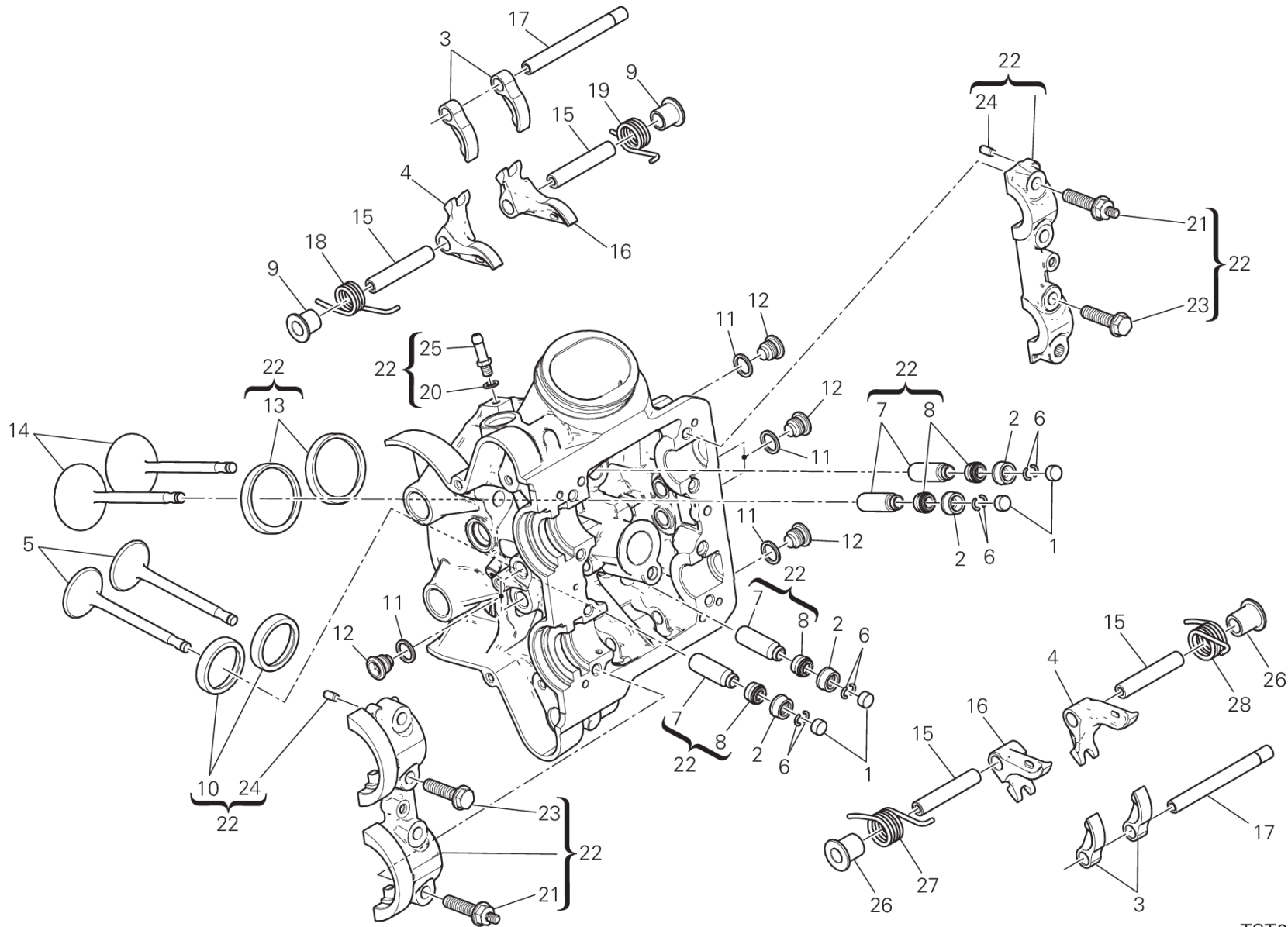


POS.	CODE	DESCRIPTION	QTY	START DATE	END DATE	VALIDITY	NOTES
	30410881AB	SEAT, INLET VALVE +0.03 MM	2	25/03/2013			
	30410881AC	SEAT, INLET VALVE +0.06 MM	2	25/03/2013			
14	21010841A	INTAKE VALVE	2	07/12/2012			
15	82112231B	CLOSE ROCKER ARM AXLE	4	07/12/2012			
16	20910491A	CLOSING ROCKER ARM RIGHT	2	07/12/2012			
17	82114851A	SHAFT, OPENING ROCKER	2	11/02/2015			
18	79914861A	VALVE RETURN SPRING RH.	1	07/12/2012			
19	79914851A	VALVE RETURN SPRING LH.	1	07/12/2012			
20	77350618B	SCREW TCEIR M6X8	1	03/04/2012			
21	76611041A	STUD BOLT, CYLINDER HEAD	4	11/02/2015			
22	30124882B	COMPLETE VERTICAL HEAD	1	11/02/2015			
23	77914211A	SCREW TEF M8X32	4	03/04/2012			
24	86050061A	PIN M5X10	4	03/04/2012			
25	71312921B	SPACER	2	07/12/2012			
26	79915181B	LEFT VALVE RETURN SPRING	1	07/12/2012			
27	79915191B	RIGHT VALVE RETURN SPRING	1	07/12/2012			
28	85250231A	GASKET	1	03/04/2012			



DRAWING 015 - HORIZONTAL CYLINDER HEAD [MOD:MS1200E]

GROUP ENGINE



TST00556

DRAWING 015 - HORIZONTAL CYLINDER HEAD [MOD:MS1200E]

GROUP ENGINE

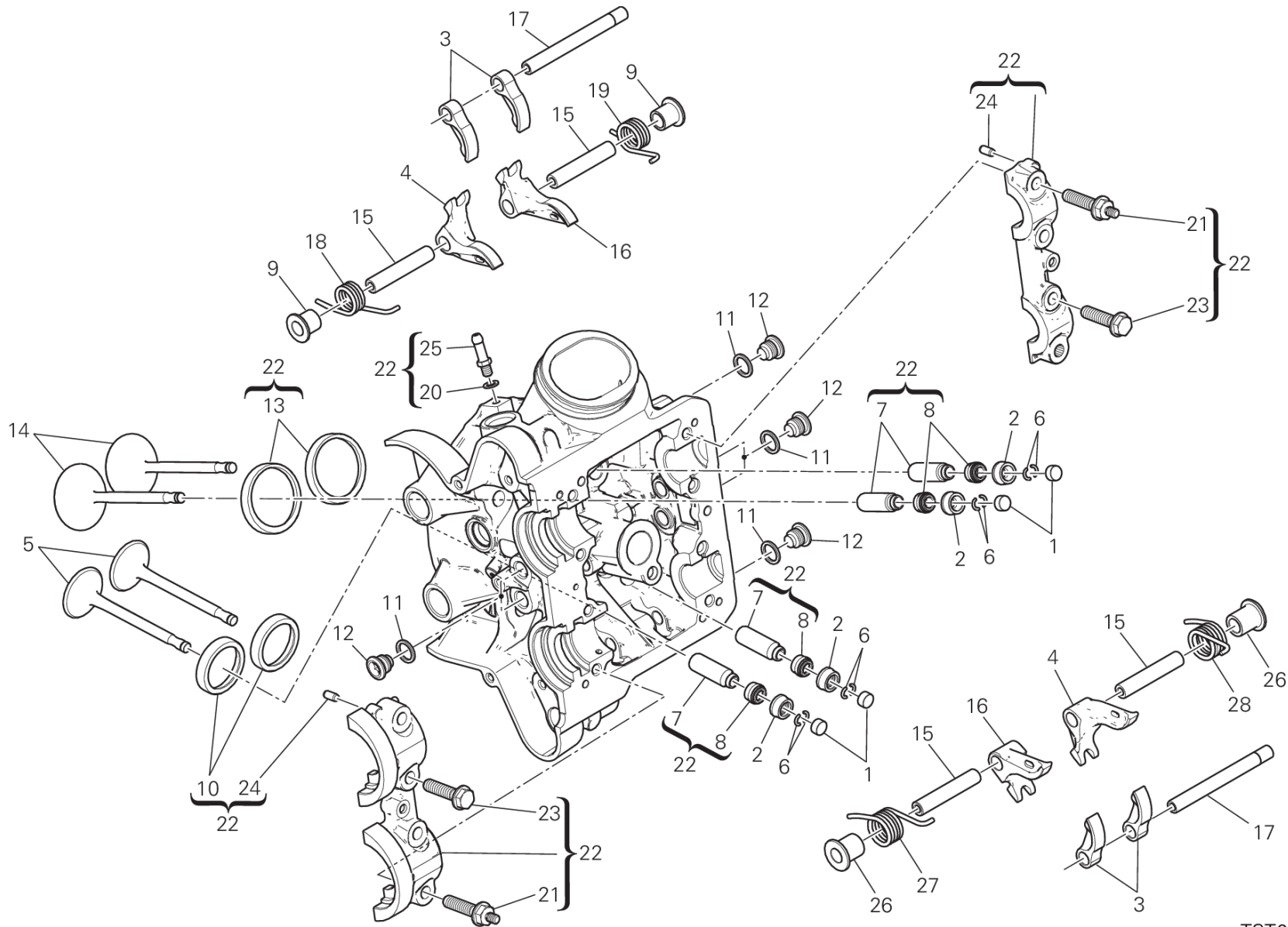


POS.	CODE	DESCRIPTION	QTY	START DATE	END DATE	VALIDITY	NOTES
1	84010012A	ADJUSTER, OPENING ROCKER ARM 2.00 MM	4	20/06/2012			
	84010022A	ADJUSTER, OPENING ROCKER ARM 2.05 MM	4	20/06/2012			
	84010032A	ADJUSTER, OPENING ROCKER ARM 2.10 MM	4	20/06/2012			
	84010042A	ADJUSTER, OPENING ROCKER ARM 2.15 MM	4	20/06/2012			
	84010052A	ADJUSTER, OPENING ROCKER ARM 2.20 MM	4	20/06/2012			
	84010062A	ADJUSTER, OPENING ROCKER ARM 2.25 MM	4	20/06/2012			
	84010072A	ADJUSTER, OPENING ROCKER ARM 2.30 MM	4	20/06/2012			
	84010082A	ADJUSTER, OPENING ROCKER ARM 2.35 MM	4	20/06/2012			
	84010092A	ADJUSTER, OPENING ROCKER ARM 2.40 MM	4	20/06/2012			
	84010102A	ADJUSTER, OPENING ROCKER ARM 2.45 MM	4	20/06/2012			
	84010112A	ADJUSTER, OPENING ROCKER ARM 2.50 MM	4	20/06/2012			
	84010122A	ADJUSTER, OPENING ROCKER ARM 2.55 MM	4	20/06/2012			
	84010132A	ADJUSTER, OPENING ROCKER ARM 2.60 MM	4	20/06/2012			
	84010142A	ADJUSTER, OPENING ROCKER ARM 2.65 MM	4	20/06/2012			
	84010152A	ADJUSTER, OPENING ROCKER ARM 2.70 MM	4	20/06/2012			
	84010162A	ADJUSTER, OPENING ROCKER ARM 2.75 MM	4	20/06/2012			
	84010172A	ADJUSTER, OPENING ROCKER ARM 2.80 MM	4	20/06/2012			
	84010182A	ADJUSTER, OPENING ROCKER ARM 2.85 MM	4	20/06/2012			
	84010192A	ADJUSTER, OPENING ROCKER ARM 2.90 MM	4	20/06/2012			
	84010202A	ADJUSTER, OPENING ROCKER ARM 2.95 MM	4	20/06/2012			
	84010212A	ADJUSTER, OPENING ROCKER ARM 3.00 MM	4	20/06/2012			
	84010222A	ADJUSTER, OPENING ROCKER ARM 3.05 MM	4	20/06/2012			
	84010232A	ADJUSTER, OPENING ROCKER ARM 3.10 MM	4	20/06/2012			
	84010242A	ADJUSTER, OPENING ROCKER ARM 3.15 MM	4	20/06/2012			
	84010252A	ADJUSTER, OPENING ROCKER ARM 3.20 MM	4	20/06/2012			
	84010262A	ADJUSTER, OPENING ROCKER ARM 3.25 MM	4	20/06/2012			
	84010272A	ADJUSTER, OPENING ROCKER ARM 3.30 MM	4	20/06/2012			
	84010282A	ADJUSTER, OPENING ROCKER ARM 3.35 MM	4	20/06/2012			
	84010292A	ADJUSTER, OPENING ROCKER ARM 3.40 MM	4	20/06/2012			
	84010302A	ADJUSTER, OPENING ROCKER ARM 3.45 MM	4	20/06/2012			
	84010312A	ADJUSTER, OPENING ROCKER ARM 1.80 MM	4	20/06/2012			
	84010322A	ADJUSTER, OPENING ROCKER ARM 1.85 MM	4	20/06/2012			
	84010332A	ADJUSTER, OPENING ROCKER ARM 1.90 MM	4	20/06/2012			
	84010342A	ADJUSTER, OPENING ROCKER ARM 1.95 MM	4	20/06/2012			
	84010722A	ADJUSTER, OPENING ROCKER ARM 3.60 MM	4	20/06/2012			



DRAWING 015 - HORIZONTAL CYLINDER HEAD [MOD:MS1200E]

GROUP ENGINE



TST00556

DRAWING 015 - HORIZONTAL CYLINDER HEAD [MOD:MS1200E]

GROUP ENGINE

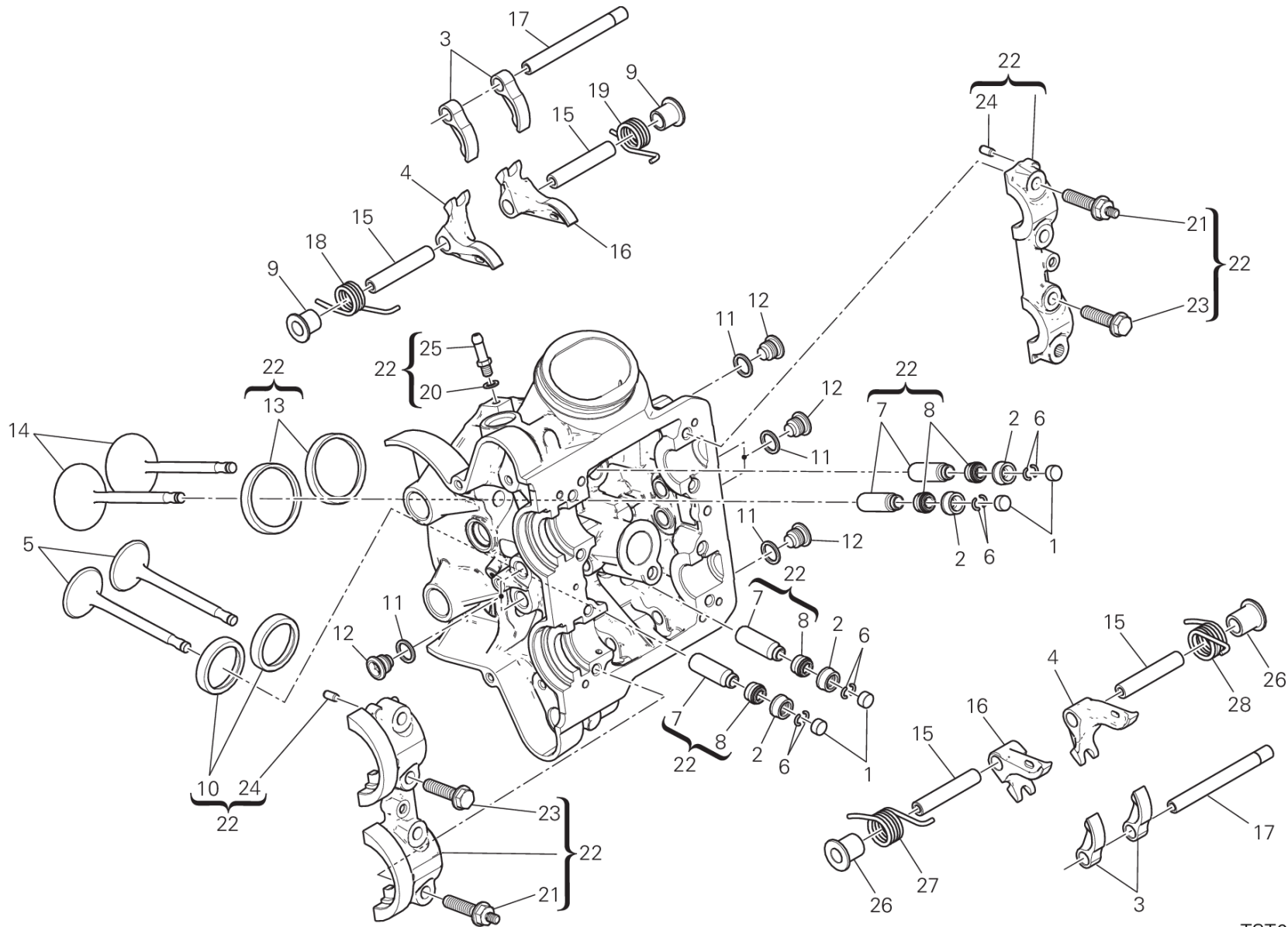


POS.	CODE	DESCRIPTION	QTY	START DATE	END DATE	VALIDITY	NOTES
	84010732A	ADJUSTER, OPENING ROCKER ARM 3.80 MM	4	20/06/2012			
	84011082A	ADJUSTER, OPENING ROCKER ARM 3.50 MM	4	20/06/2012			
	84011092A	ADJUSTER, OPENING ROCKER ARM 3.55 MM	4	20/06/2012			
	84011102A	ADJUSTER, OPENING ROCKER ARM 3.65 MM	4	20/06/2012			
	84011112A	ADJUSTER, OPENING ROCKER ARM 3.70 MM	4	20/06/2012			
	84011122A	ADJUSTER, OPENING ROCKER ARM 3.75 MM	4	20/06/2012			
	84011132A	ADJUSTER, OPENING ROCKER ARM 3.85 MM	4	20/06/2012			
	84011142A	ADJUSTER, OPENING ROCKER ARM 3.9 MM	4	20/06/2012			
2	84010412B	ADJUSTER, CLOSING ROCKER ARM 2.20 MM	4	24/12/2009			
	84010422B	ADJUSTER, CLOSING ROCKER ARM 2.25 MM	4	24/12/2009			
	84010432B	ADJUSTER, CLOSING ROCKER ARM 2.30 MM	4	24/12/2009			
	84010442B	ADJUSTER, CLOSING ROCKER ARM 2.35 MM	4	24/12/2009			
	84010452B	ADJUSTER, CLOSING ROCKER ARM 2.40 MM	4	24/12/2009			
	84010462B	ADJUSTER, CLOSING ROCKER ARM 2.45 MM	4	24/12/2009			
	84010472B	ADJUSTER, CLOSING ROCKER ARM 2.50 MM	4	24/12/2009			
	84010482B	ADJUSTER, CLOSING ROCKER ARM 2.55 MM	4	24/12/2009			
	84010492B	ADJUSTER, CLOSING ROCKER ARM 2.60 MM	4	24/12/2009			
	84010502B	ADJUSTER, CLOSING ROCKER ARM 2.65 MM	4	24/12/2009			
	84010512B	ADJUSTER, CLOSING ROCKER ARM 2.70 MM	4	24/12/2009			
	84010522B	ADJUSTER, CLOSING ROCKER ARM 2.75 MM	4	24/12/2009			
	84010532B	ADJUSTER, CLOSING ROCKER ARM 2.80 MM	4	24/12/2009			
	84010542B	ADJUSTER, CLOSING ROCKER ARM 2.85 MM	4	24/12/2009			
	84010552B	ADJUSTER, CLOSING ROCKER ARM 2.90 MM	4	24/12/2009			
	84010562B	ADJUSTER, CLOSING ROCKER ARM 2.95 MM	4	24/12/2009			
	84010572B	ADJUSTER, CLOSING ROCKER ARM 3.00 MM	4	24/12/2009			
	84010582B	ADJUSTER, CLOSING ROCKER ARM 3.05 MM	4	24/12/2009			
	84010592B	ADJUSTER, CLOSING ROCKER ARM 3.10 MM	4	24/12/2009			
	84010602B	ADJUSTER, CLOSING ROCKER ARM 3.15 MM	4	24/12/2009			
	84010612B	ADJUSTER, CLOSING ROCKER ARM 3.20 MM	4	24/12/2009			
	84010622B	ADJUSTER, CLOSING ROCKER ARM 3.25 MM	4	24/12/2009			
	84010632B	ADJUSTER, CLOSING ROCKER ARM 3.30 MM	4	24/12/2009			
	84010642B	ADJUSTER, CLOSING ROCKER ARM 3.35 MM	4	24/12/2009			
	84010652B	ADJUSTER, CLOSING ROCKER ARM 3.40 MM	4	24/12/2009			
	84010662B	ADJUSTER, CLOSING ROCKER ARM 3.45 MM	4	24/12/2009			
	84010672B	ADJUSTER, CLOSING ROCKER ARM 3.50 MM	4	24/12/2009			



DRAWING 015 - HORIZONTAL CYLINDER HEAD [MOD:MS1200E]

GROUP ENGINE



TST00556

DRAWING 015 - HORIZONTAL CYLINDER HEAD [MOD:MS1200E]

GROUP ENGINE

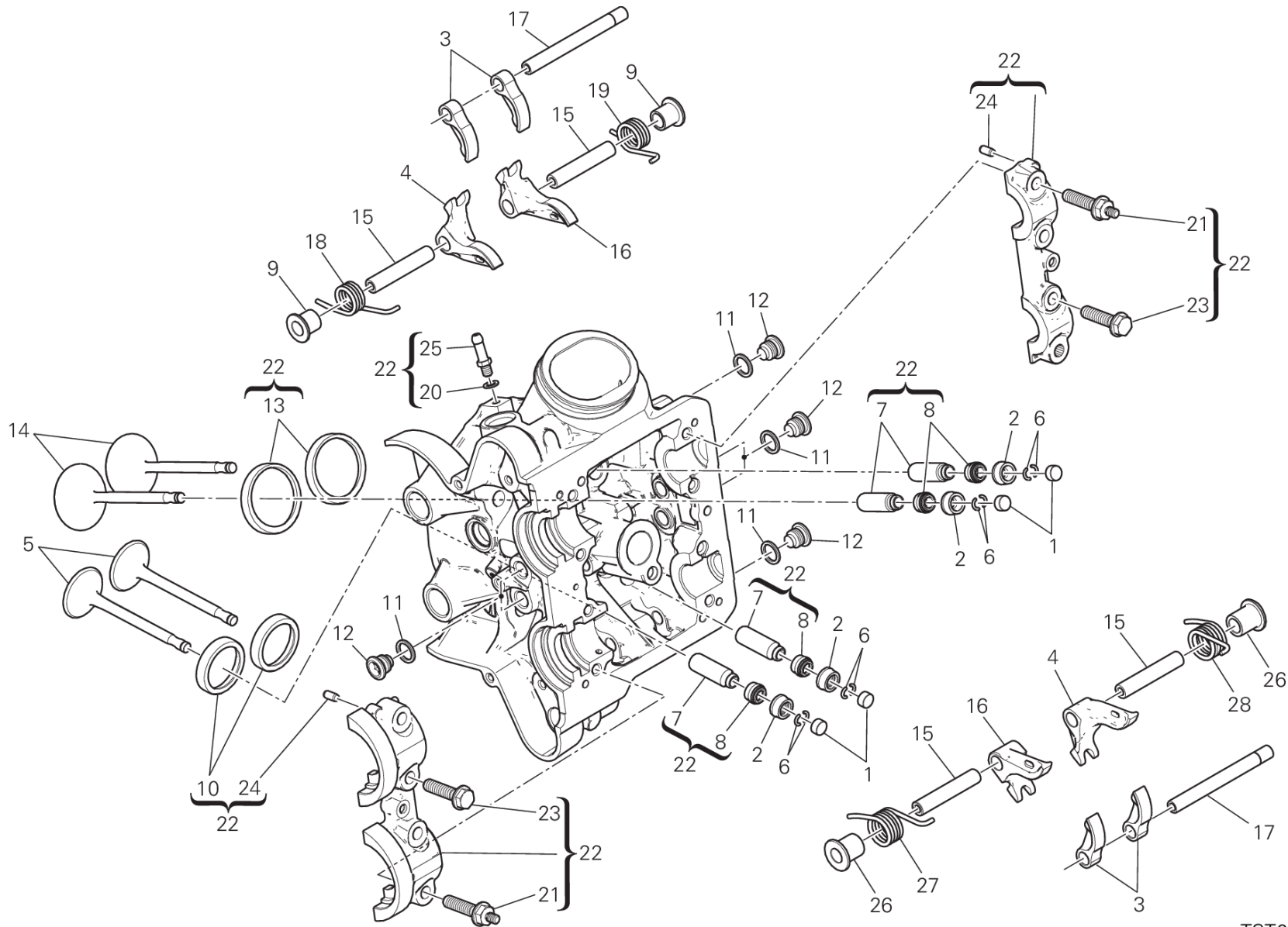


POS.	CODE	DESCRIPTION	QTY	START DATE	END DATE	VALIDITY	NOTES
	84010682B	ADJUSTER, CLOSING ROCKER ARM 3.55 MM	4	24/12/2009			
	84010692B	ADJUSTER, CLOSING ROCKER ARM 3.60 MM	4	24/12/2009			
	84010702B	ADJUSTER, CLOSING ROCKER ARM 3.65 MM	4	24/12/2009			
	84010712B	ADJUSTER, CLOSING ROCKER ARM 3.70 MM	4	24/12/2009			
	84010722B	ADJUSTER, CLOSING ROCKER ARM 3.75 MM	4	24/12/2009			
	84010732B	ADJUSTER, CLOSING ROCKER ARM 3.80 MM	4	24/12/2009			
	84010742B	ADJUSTER, CLOSING ROCKER ARM 3.85 MM	4	24/12/2009			
	84010752B	ADJUSTER, CLOSING ROCKER ARM 3.90 MM	4	24/12/2009			
	84010762B	ADJUSTER, CLOSING ROCKER ARM 3.95 MM	4	24/12/2009			
	84010772B	ADJUSTER, CLOSING ROCKER ARM 4.00 MM	4	24/12/2009			
	84010782B	ADJUSTER, CLOSING ROCKER ARM 4.05 MM	4	24/12/2009			
	84010792B	ADJUSTER, CLOSING ROCKER ARM 4.10 MM	4	24/12/2009			
	84010802B	ADJUSTER, CLOSING ROCKER ARM 4.15 MM	4	24/12/2009			
	84010812B	ADJUSTER, CLOSING ROCKER ARM 4.20 MM	4	24/12/2009			
	84010822B	ADJUSTER, CLOSING ROCKER ARM 4.25 MM	4	24/12/2009			
	84010832B	ADJUSTER, CLOSING ROCKER ARM 4.30 MM	4	24/12/2009			
	84010842B	ADJUSTER, CLOSING ROCKER ARM 4.35 MM	4	24/12/2009			
	84010852B	ADJUSTER, CLOSING ROCKER ARM 4.40 MM	4	24/12/2009			
	84010862B	ADJUSTER, CLOSING ROCKER ARM 4.45 MM	4	24/12/2009			
	84010872B	ADJUSTER, CLOSING ROCKER ARM 4.50 MM	4	24/12/2009			
3	20810321A	OPEN. ROCKER ARM	4	07/12/2012			
4	20910501A	CLOSING ROCKER ARM LEFT	2	07/12/2012			
5	21110831A	EXHAUST VALVE	2	07/12/2012			
6	66910011E	C RING	8	07/12/2012			
7	30310631BB	GUIDE, VALVE OVERSIZED 0.03 MM	4	25/03/2013			
	30310631BC	GUIDE, VALVE OVERSIZED 0.06 MM	4	25/03/2013			
	30310631BD	GUIDE, VALVE OVERSIZED 0.09 MM	4	25/03/2013			
8	76410871A	SEAL VALVE STEM	4	03/04/2012			
9	71312921A	SPACER	2	07/12/2012			
10	30410891A	SEAT, EXHAUST VALVE	2	03/04/2012			
	30410891AB	SEAT, EXHAUST VALVE +0.03 MM	2	25/03/2013			
	30410891AC	SEAT, EXHAUST VALVE +0.06 MM	2	25/03/2013			
11	85250261B	GASKET, ALUMINIUM 12X16X1.5	6	07/12/2012			
12	78010511E	PLUG	6	07/12/2012			
13	30410881A	SEAT, INTAKE VALVE	2	03/04/2012			



DRAWING 015 - HORIZONTAL CYLINDER HEAD [MOD:MS1200E]

GROUP ENGINE



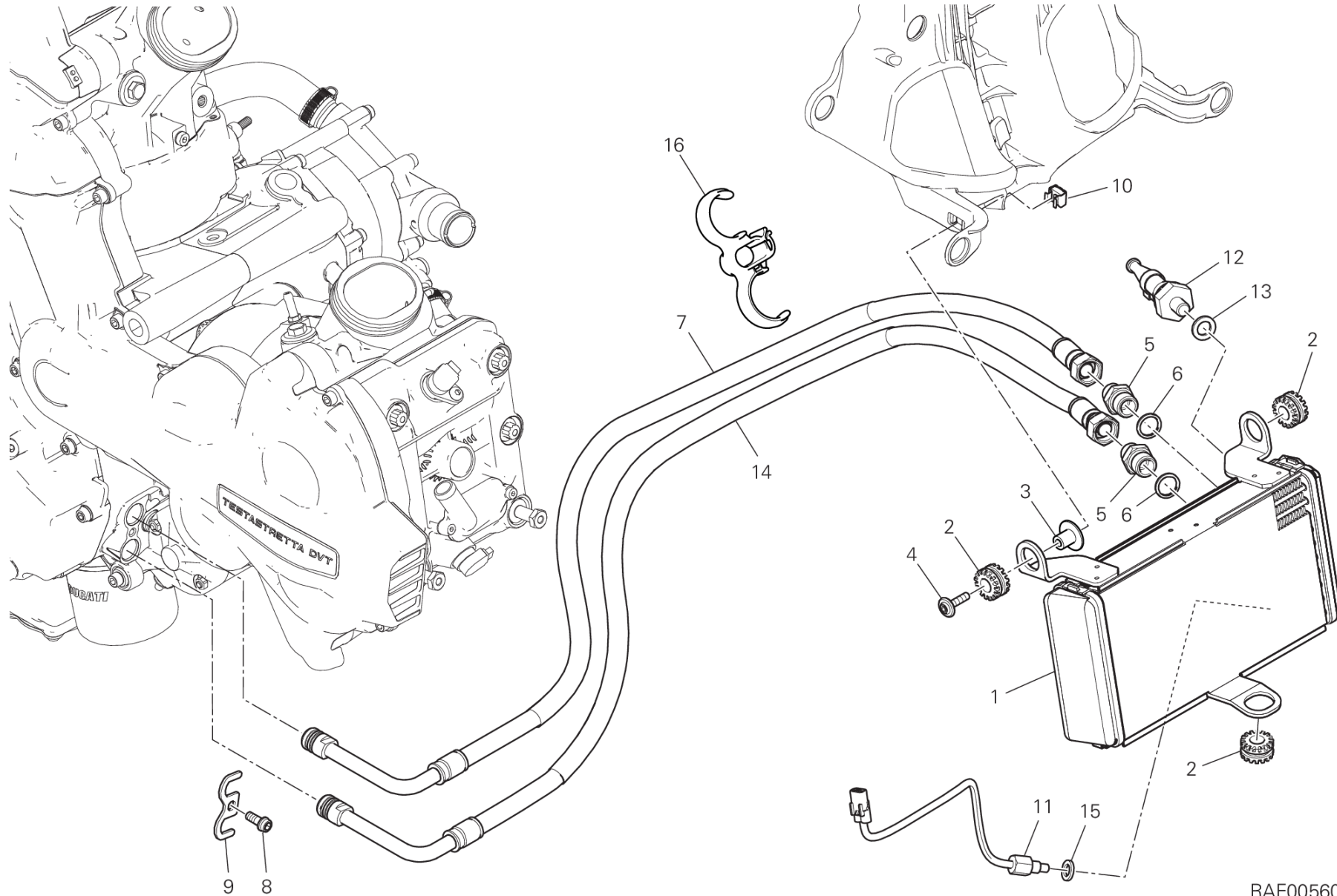
TST00556

DRAWING 015 - HORIZONTAL CYLINDER HEAD [MOD:MS1200E]

GROUP ENGINE



POS.	CODE	DESCRIPTION	QTY	START DATE	END DATE	VALIDITY	NOTES
	30410881AB	SEAT, INLET VALVE +0.03 MM	2	25/03/2013			
	30410881AC	SEAT, INLET VALVE +0.06 MM	2	25/03/2013			
14	21010841A	INTAKE VALVE	2	07/12/2012			
15	82112231B	CLOSE ROCKER ARM AXLE	4	07/12/2012			
16	20910491A	CLOSING ROCKER ARM RIGHT	2	07/12/2012			
17	82114851A	SHAFT, OPENING ROCKER	2	11/02/2015			
18	79914861A	VALVE RETURN SPRING RH.	1	07/12/2012			
19	79914851A	VALVE RETURN SPRING LH.	1	07/12/2012			
20	85250231A	GASKET	1	03/04/2012			
21	76611041A	STUD BOLT, CYLINDER HEAD	4	11/02/2015			
22	30124892B	COMPLETE HORIZONTAL HEAD	1	11/02/2015			
23	77914211A	SCREW TEF M8X32	4	03/04/2012			
24	86050061A	PIN M5X10	4	03/04/2012			
25	81411881A	NIPPLE, HOSE	1	03/04/2012			
26	71312921B	SPACER	2	07/12/2012			
27	79915181B	LEFT VALVE RETURN SPRING	1	07/12/2012			
28	79915191B	RIGHT VALVE RETURN SPRING	1	07/12/2012			



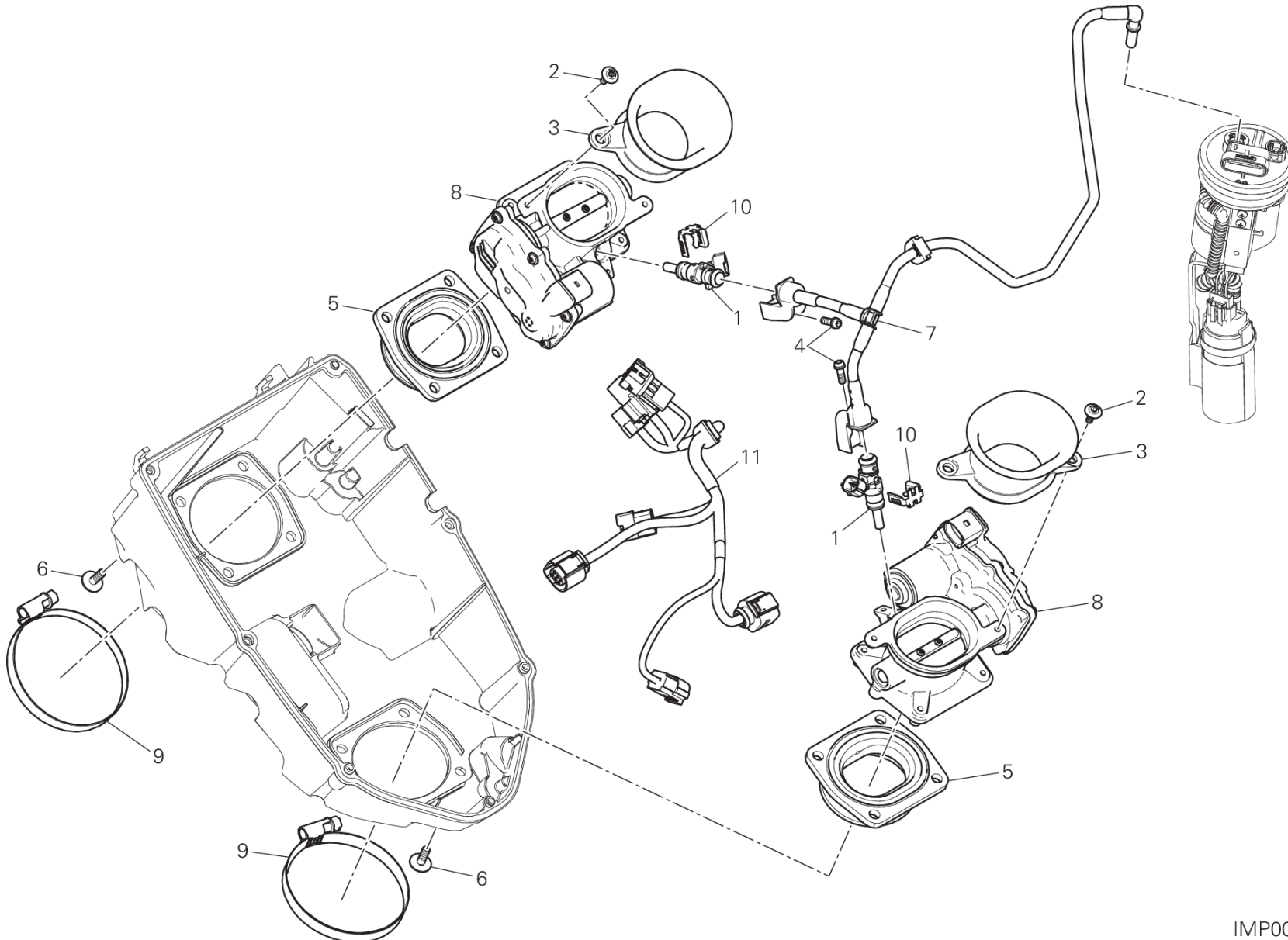
RAF00560

DRAWING 016 - OIL COOLER [MOD:MS1200E]

GROUP ENGINE



POS.	CODE	DESCRIPTION	QTY	START DATE	END DATE	VALIDITY	NOTES
1	54811051A	OIL COOLER	1	10/11/2014			
2	76410241A	VIBRATION DAMPER PAD	3	08/05/2013			
3	71614511AA	SPACER	1	10/09/2015			
4	77214061AA	SCREW, SPECIAL	1	02/12/2014			
5	81510221A	NIPPLE, HOSEM14X1.5	2	08/05/2013			
6	42020064A	ALUMINIUM GASKET	2	08/05/2013			
7	54911191A	OIL DELIVERY PIPE	1	10/11/2014			
8	77116648B	SCREW	1	08/05/2013			
9	82715481A	PLATE	1	08/05/2013			
10	74640101A	SPECIAL NUT	1	24/02/2015			
11	55241452A	SENSOR, TEMPERATURE	1	10/11/2014			
12	53940302A	SWITCH ASSY, OIL PRESSURE	1	08/05/2013			
13	85211951A	GASKET 10.5X17X2	1	08/05/2013			
14	54911142A	PIPE	1	10/11/2014			
15	85211971A	GASKET, COPPER 8.5X14X2	1	10/11/2014			
16	85013121A	QUICK FASTENING	1	10/11/2014			



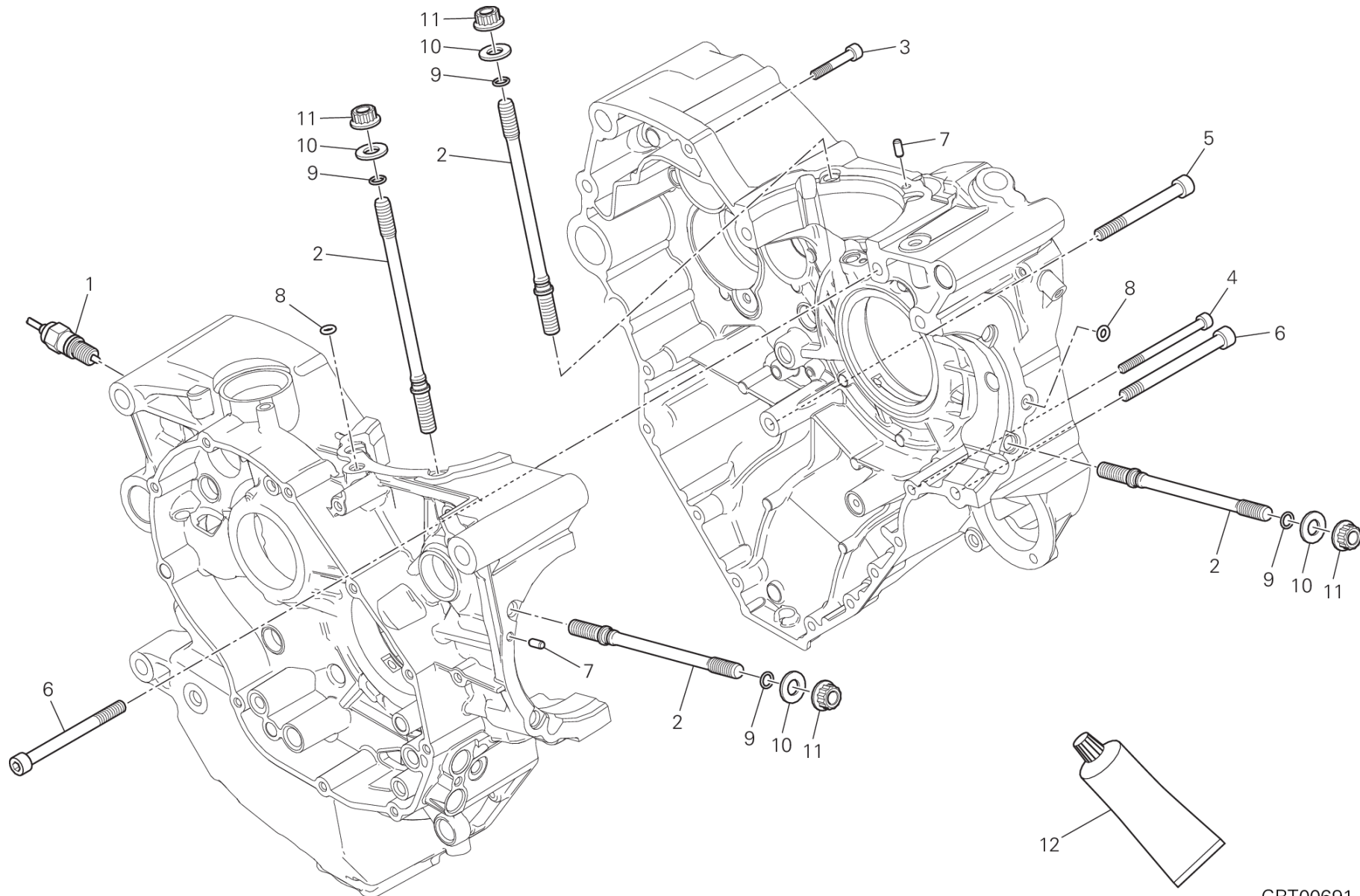
IMP00957

DRAWING 017 - THROTTLE BODY [MOD:MS1200E]

GROUP ENGINE



POS.	CODE	DESCRIPTION	QTY	START DATE	END DATE	VALIDITY	NOTES
1	28040431A	INJECTOR	2	10/11/2014			
2	77210852C	SCREW	4	10/11/2014			
3	13510421A	AIR FUNNEL	2	10/11/2014			
4	77156408B	SCREW TCEIF M5X14	2	10/11/2014			
5	80110431A	INTAKE MANIFOLD	2	10/11/2014			
6	77510691BA	SCREW	8	10/11/2014			
7	59024041A	COMPLETE PIPE SET	1	10/11/2014			
8	28220961A	COMPLETE THROTTLE BODY	2	10/11/2014			
9	74141871A	CLAMP 60-80 MM	2	10/11/2014			
10	85042131A	CLIP	2	10/11/2014			
11	51019961B	INJECTION WIRING	1	07/11/2014			



CRT00691

DRAWING 10A - HALF-CRANKCASES PAIR [MOD:MS1200E]

GROUP ENGINE

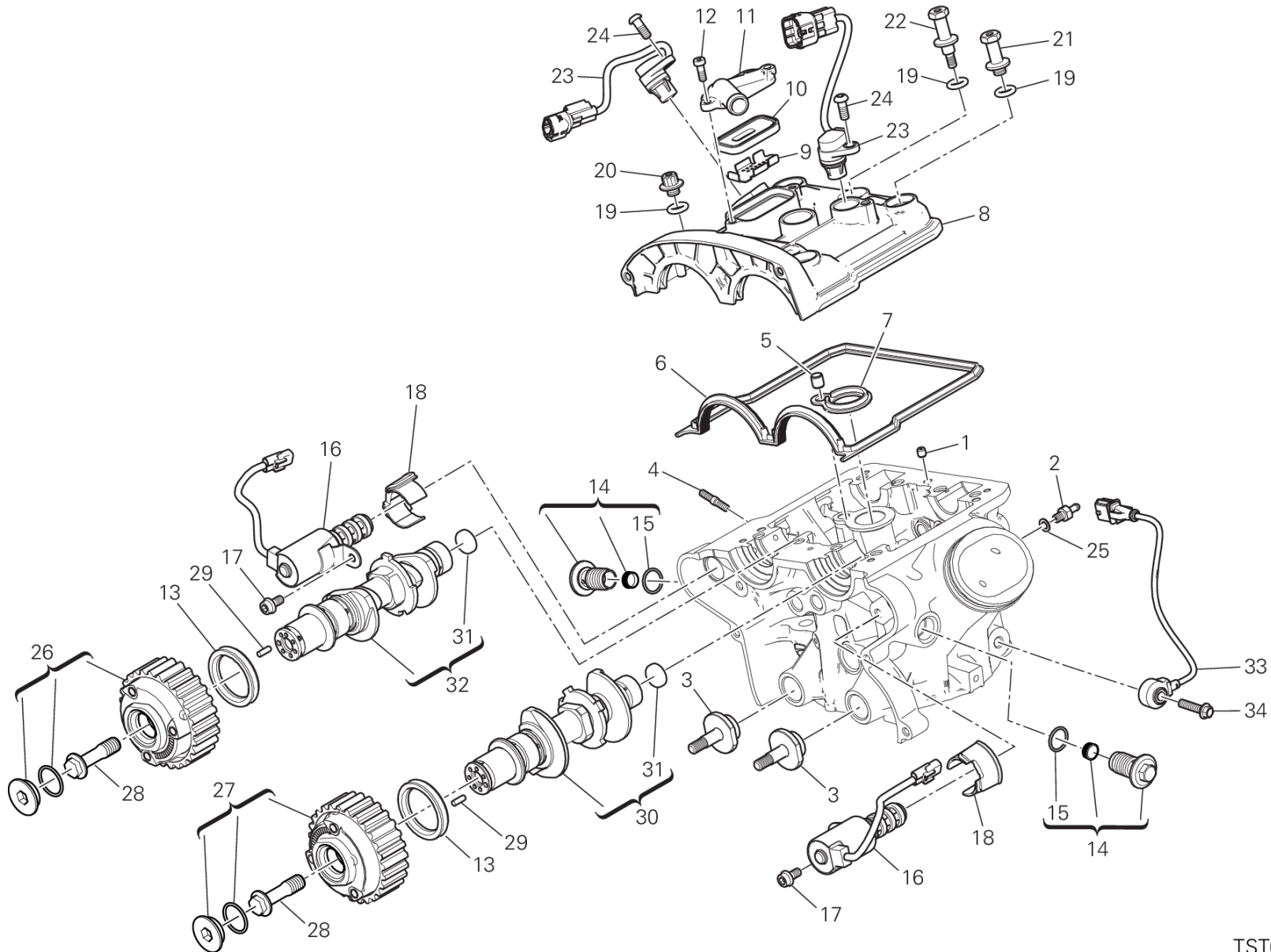


POS.	CODE	DESCRIPTION	QTY	START DATE	END DATE	VALIDITY	NOTES
1	55241612C	GEARBOX POSITION SENSOR	1	01/03/2014			
2	76610553B	STUD BOLT FASTENING HEAD CYLINDER	8	01/03/2014			
3	77150723B	SCREW TCEI M6X35 UNI 5931	8	01/03/2014			
4	77150808B	SCREW TCEI M6X75	2	01/03/2014			
5	77151363B	SCREW TCEI M8X75 UNI 5931	3	01/03/2014			
6	77151398B	SCREW TCEI M8X90	4	01/03/2014			
7	86010041A	PIN DOWEL	2	01/03/2014			
8	88610241A	O-RING 5.23X2.62	2	01/03/2014			
9	88641181A	O-RING	8	01/03/2014			
10	85610642A	WASHER, SPECIAL 10.5X21X2	8	01/03/2014			
11	74810501A	NUT M10X1.5	8	01/03/2014			
12	942470014	LIQUID GASKET	1	01/03/2014			



DRAWING 13A - VERTICAL CYLINDER HEAD - TIMING [MOD:MS1200E]

GROUP ENGINE



TST00579

DRAWING 13A - VERTICAL CYLINDER HEAD - TIMING [MOD:MS1200E]

GROUP ENGINE

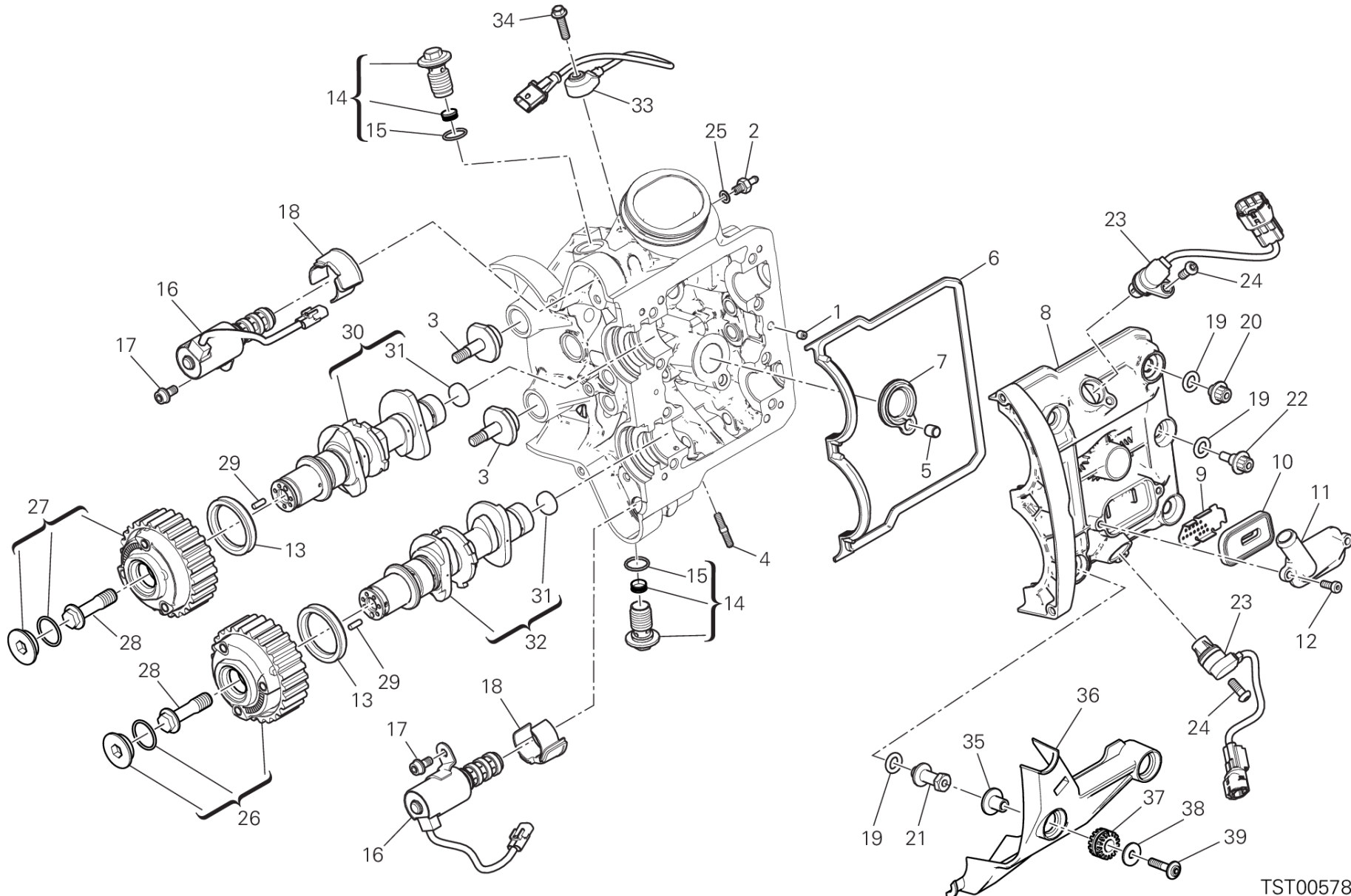


POS.	CODE	DESCRIPTION	QTY	START DATE	END DATE	VALIDITY	NOTES
1	86010061A	PIN	1	11/02/2015			
2	81413341A	UNION	1	11/02/2015			
3	45110461A	TENSIONER ROLLER PIN	2	11/02/2015			
4	76640191A	STUD BOLT M6X16	3	11/02/2015			
5	71113741A	BUSH	1	11/02/2015			
6	78811331B	VALVE COVER GASKET EXTERNAL	1	11/02/2015			
7	78811341B	GASKET	1	11/02/2015			
8	24714811C	COVER CYLINDER HEAD, VERTICAL	1	11/02/2015			
9	82716351A	PLATE	1	11/02/2015			
10	81140012B	VALVE	1	11/02/2015			
11	24714171A	COVER VERTICAL	1	11/02/2015			
12	77350403B	SCREW	2	11/02/2015			
13	93050201A	SEAL RING	2	11/02/2015			
14	87321421B	PLUG	2	11/02/2015			
15	88640851A	O-RING	2	28/08/2014			
16	45040023A	VALVE	2	11/02/2015			
17	77140648CA	SCREW	2	11/02/2015			
18	24511481A	INSERT	2	11/02/2015			
19	88642621A	O-RING	6	18/11/2015			
20	74810493A	NUT, SPECIAL	2	18/11/2015			
21	77919241B	NUT, SPECIAL	2	18/11/2015			
22	77919231B	SCREW, SPECIAL	2	18/11/2015			
23	55243341A	DETECTOR	2	11/02/2015			
24	77550218CJ	SCREW	2	11/02/2015			
25	85250231A	GASKET	1	11/02/2015			
26	17740042B	TIMING BELT PULLEY, DRIVEN (DVT)	1	11/02/2015			
27	17740032C	TIMING BELT PULLEY, DRIVEN (DVT)	1	11/02/2015			
28	77918271A	SCREW, SPECIAL	2	11/02/2015			
29	86050131A	PIN	2	11/02/2015			
30	14825031E	VERTICAL INTAKE CAMSHAFT	1	11/02/2015			
31	87310051A	PLUG 18 MM	2	10/09/2014			
32	14825041E	VERTICAL EXHAUST CAMSHAFT	1	11/02/2015			
33	55243181A	DETECTOR	1	07/11/2014			
34	77244661A	SCREW	1	07/11/2014			



DRAWING 13B - TESTA ORIZZONTALE - DISTRIBUZIONE [MOD:MS1200E]

GROUP ENGINE



TST00578

DRAWING 13B - TESTA ORIZZONTALE - DISTRIBUZIONE [MOD:MS1200E]

GROUP ENGINE

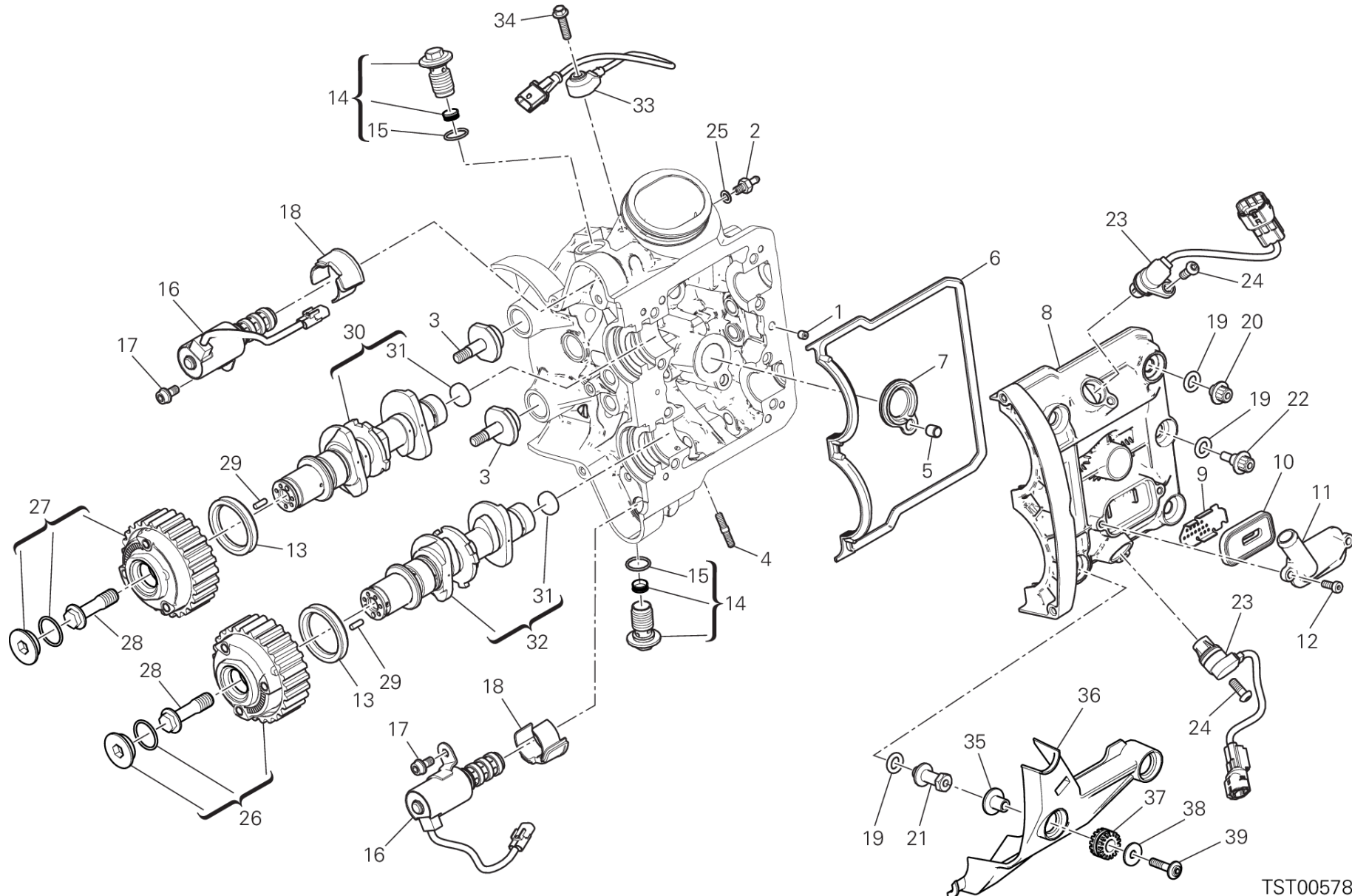


POS.	CODE	DESCRIPTION	QTY	START DATE	END DATE	VALIDITY	NOTES
1	86010061A	PIN	1	11/02/2015			
2	81413341A	UNION	1	11/02/2015			
3	45110461A	TENSIONER ROLLER PIN	2	11/02/2015			
4	76640191A	STUD BOLT M6X16	3	11/02/2015			
5	71113741A	BUSH	1	11/02/2015			
6	78811331B	VALVE COVER GASKET EXTERNAL	1	11/02/2015			
7	78811341B	GASKET	1	11/02/2015			
8	24714801C	COVER CYLINDER HEAD, HORIZONTAL	1	11/02/2015			
9	82716351A	PLATE	1	11/02/2015			
10	81140012B	VALVE	1	11/02/2015			
11	24714161A	COVER	1	11/02/2015			
12	77350403B	SCREW	2	11/02/2015			
13	93050201A	SEAL RING	2	11/02/2015			
14	87321421B	PLUG	2	11/02/2015			
15	88640851A	O-RING	2	28/08/2014			
16	45040023A	VALVE	2	11/02/2015			
17	77140648CA	SCREW	2	11/02/2015			
18	24511481A	INSERT	2	11/02/2015			
19	88642621A	O-RING	6	11/02/2015			
20	74810493A	NUT, SPECIAL	2	18/11/2015			
21	77919241B	NUT, SPECIAL	2	18/11/2015			
22	77919062A	SCREW, SPECIAL	2	18/11/2015			
23	55243341A	DETECTOR	2	11/02/2015			
24	77550218CJ	SCREW	2	11/02/2015			
25	85250231A	GASKET	1	11/02/2015			
26	17740042B	TIMING BELT PULLEY, DRIVEN (DVT)	1	11/02/2015			
27	17740032C	TIMING BELT PULLEY, DRIVEN (DVT)	1	11/02/2015			
28	77918271A	SCREW, SPECIAL	2	11/02/2015			
29	86050131A	PIN	2	11/02/2015			
30	14825011E	HORIZONTAL INTAKE CAMSHAFT	1	11/02/2015			
31	87310051A	PLUG 18 MM	1	10/09/2014			
32	14825021E	HORIZONTAL EXHAUST CAMSHAFT	1	11/02/2015			
33	55243181A	DETECTOR	1	07/11/2014			
34	77244661A	SCREW	1	07/11/2014			
35	71610061A	SPACER	2	09/02/2015			



DRAWING 13B - TESTA ORIZZONTALE - DISTRIBUZIONE [MOD:MS1200E]

GROUP ENGINE



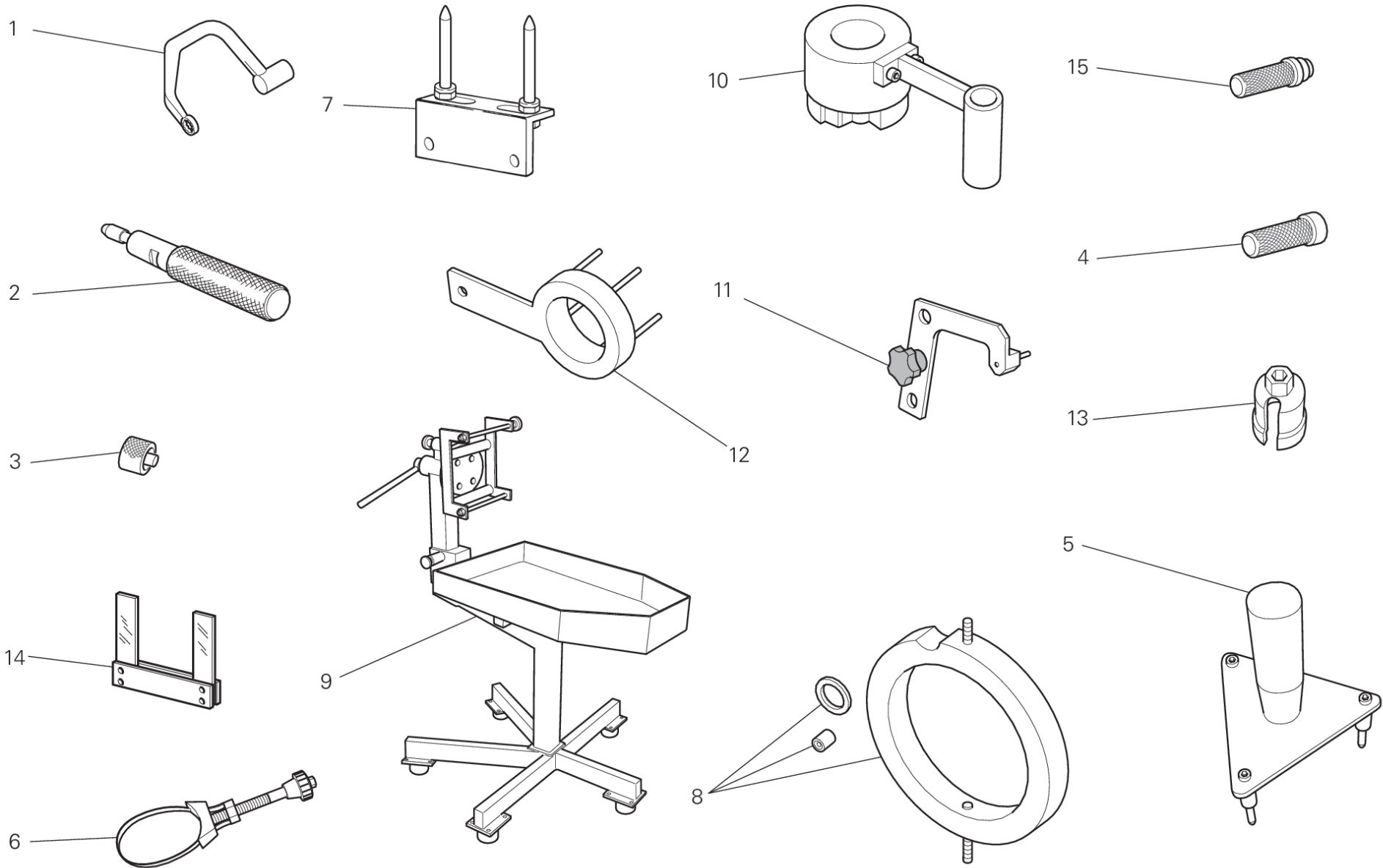
TST00578

DRAWING 13B - TESTA ORIZZONTALE - DISTRIBUZIONE [MOD:MS1200E]

GROUP ENGINE



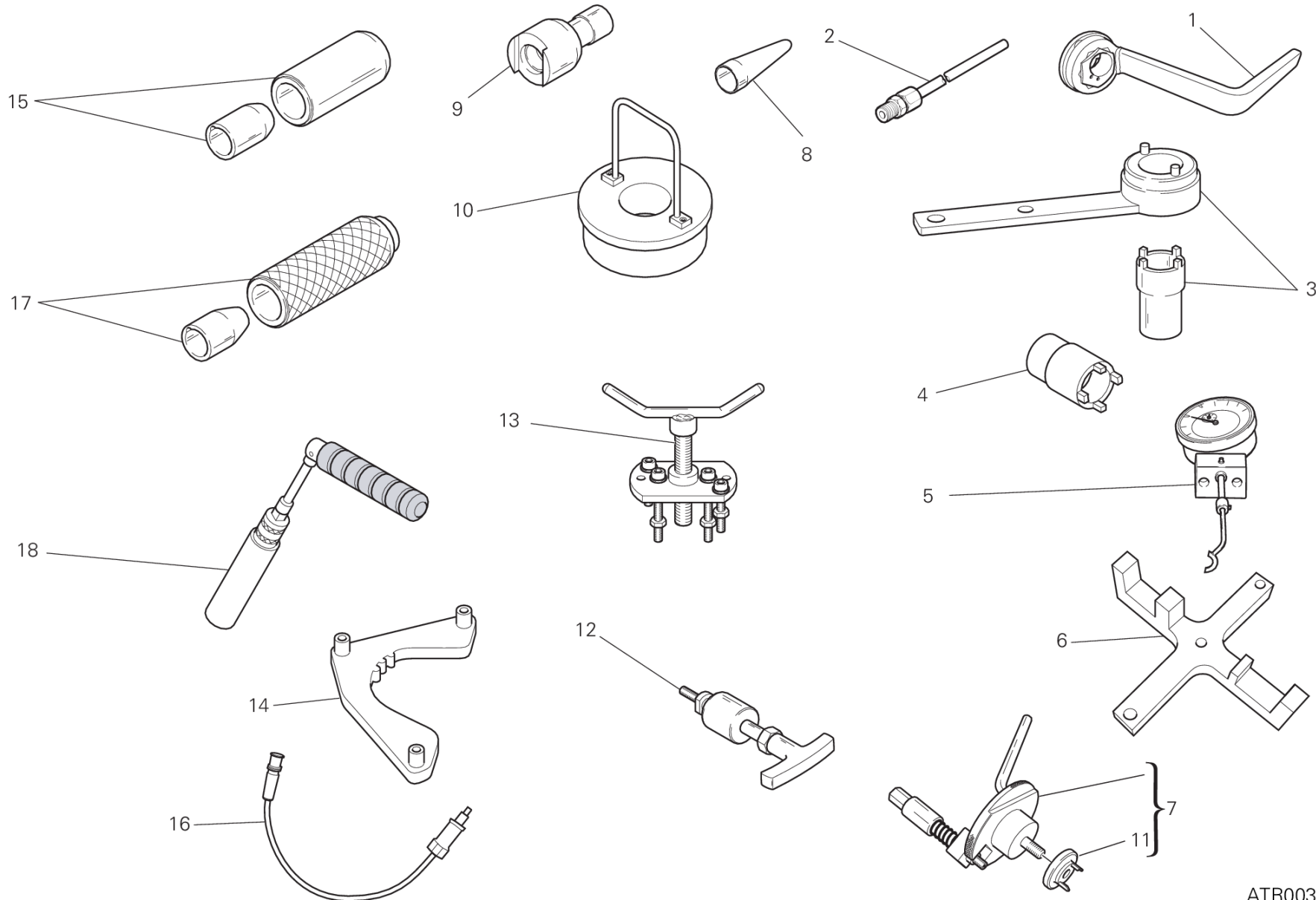
POS.	CODE	DESCRIPTION	QTY	START DATE	END DATE	VALIDITY	NOTES
36	4601D151A	COVER HORIZONTAL HEAD	1	09/02/2015			
37	76410241A	VIBRATION DAMPER PAD	2	09/02/2015			
38	85250291A	WASHER 6.4X18X1.6	2	09/02/2015			
39	77210971B	SCREW	2	09/02/2015			



ATR00345



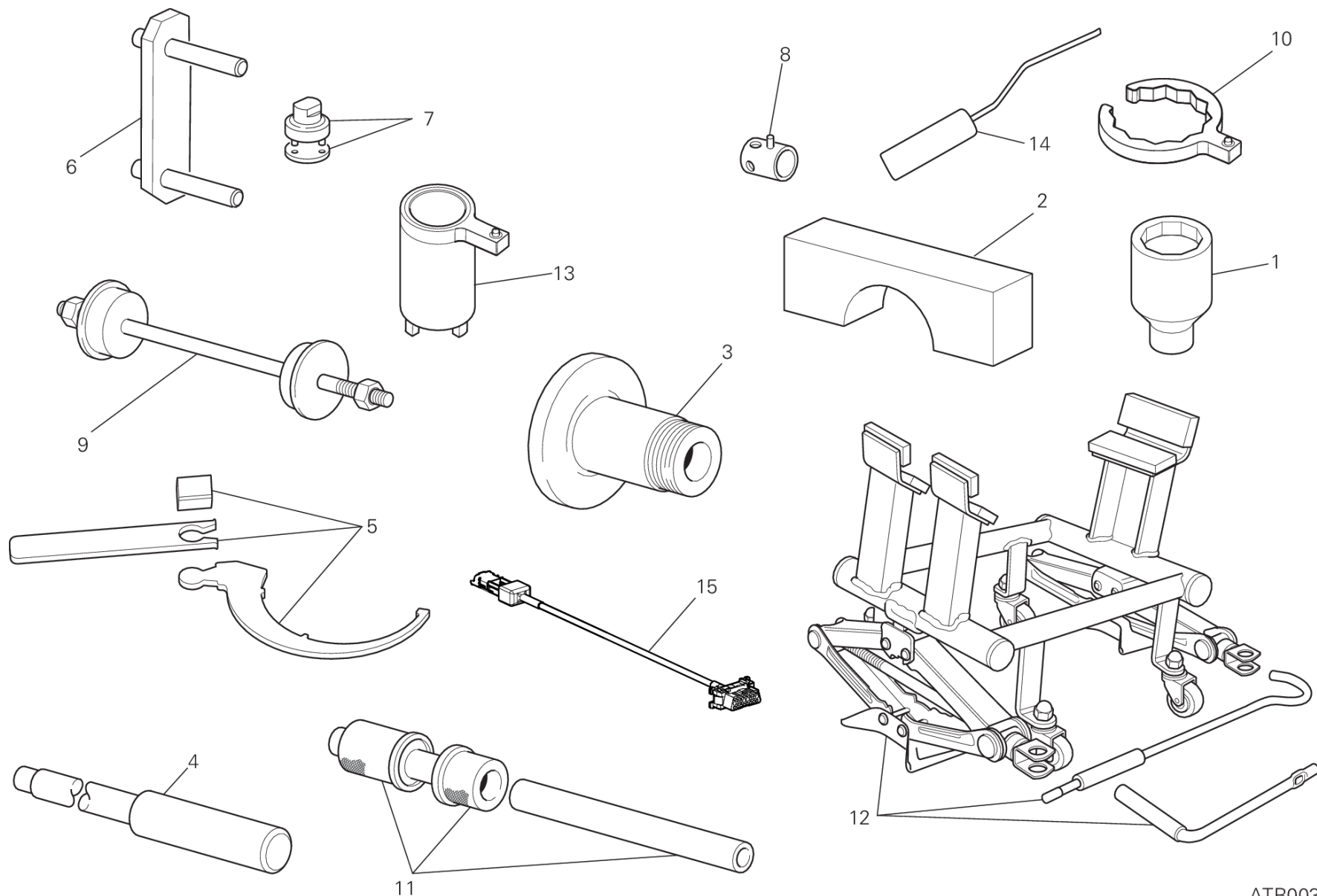
POS.	CODE	DESCRIPTION	QTY	START DATE	END DATE	VALIDITY	NOTES
1	887134964	HEAD NUTS HOLDER WRENCH	1				
2	887132442	TOOL, OIL SEAL MOUNTING (Ø7)	1				
3	887651298	SPACER FOR CHECKING LOWER VALVE SHIM	1				
4	887130870	TOOL ASSEMBLING WATER PUMP FRONT SEAL	1				
5	887133352	TOOL FOR TIMING CLUTCH PLATES SET	1				
6	887132906	WRENCH, OIL FILTER CARTRIDGE	1				
7	887132103	HEAD MOUNTING BASE	1				
8	887133931	FLYWHEEL WRENCH	1				
9	887131832	BENCH FOR ENGINE REPAIR	1				
10	887133408	REACTION TOOL FOR WET "FCC" CLUTCH	1				
11	887133334	PLATE POSITIONING GEAR ENGAGEMENT FORK	1				
12	887133417	TORQUE WRENCH	1				
13	887133407	SPINDLE, TAPER (Gearbox position sensor)	1				
14	887651000	FORK FEELER GAUGE 0.1 MM	1				
	887651005	FORK FEELER GAUGE 0.2 MM	1				
	887651006	FORK FEELER GAUGE 0.3 MM	1				
15	887130869	TOOL, WATER PUMP FRONT SEAL ASSEMBLING	1				



ATR00334



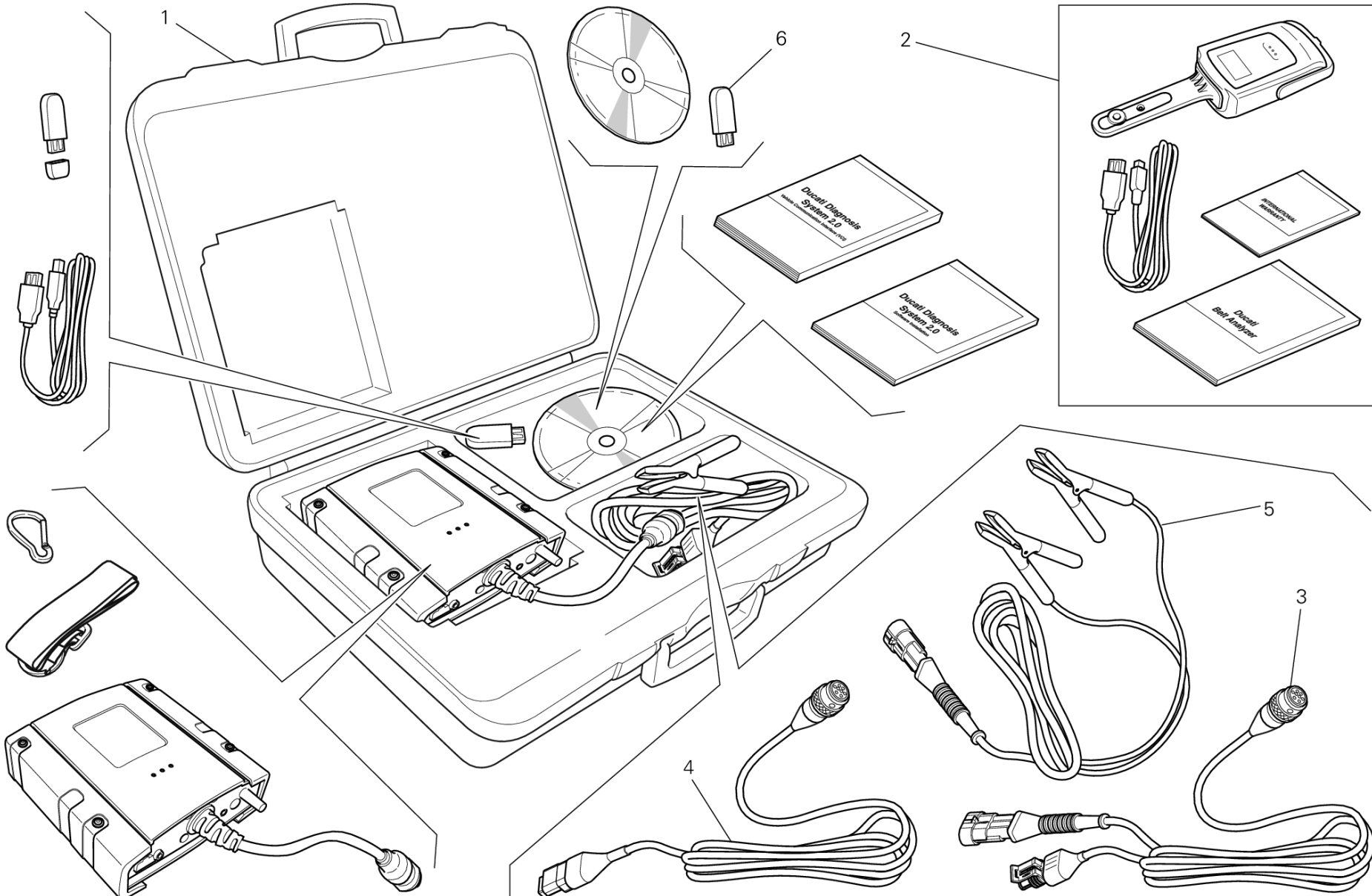
POS.	CODE	DESCRIPTION	QTY	START DATE	END DATE	VALIDITY	NOTES
1	887133497	WRENCH FOR TENSIONING MOBILE BELT TENSIO	1				
2	887131010	CONNECTOR FOR EXHAUST GAS TAKE-UP POINT	1				
3	887131805	DRIVING ROLLER TIGHTENING TOOL	1				
4	887133406	WRENCH TIGHTENING PRIMARY TRANSMISSI	1				
5	887651518	VALVE LIFT GAUGE	1				
6	887651737	REACTION TOOL CAMSHAFT	1				
7	887132011	CRANKSHAFT RESET TOOL	1				
8	887131920	TOOL TO FIT O-RINGS ONTO STUD BOLTS	1				
9	887131821	WRENCH TO TIGHTEN TENSIONING BOLTS	1				
10	887132870	TOOL, CON-ROD GUIDING	1				
11	887134411	INSERT	1				
12	887131994	ROCKER PIN EXTRACTOR	1				
13	887131749	DRIVE ROLLER PULLER	1				
14	887135009	T.D.C. CONTROL GAUGE	1				
15	887134965	TOOL TO FIT SEALS ON CAMSHAFTS	1				
16	887134966	PRESSURE SENSOR	1				
17	887132834	TOOL SNAP RING INSTALLATION	1				
18	887132877	SPARK PLUG WRENCH	1				



ATR00336



POS.	CODE	DESCRIPTION	QTY	START DATE	END DATE	VALIDITY	NOTES
1	887134303	BUSSOLA SERRAGGIO GHIERA STELO FORCELLA	1				
2	887134302	ATTREZZO SERRAGGIO STELO FORCELLE	1				
3	887132951	TOOL BALANCING REAR WHEEL	1				
4	887131074	TOOL DISASSEMBLING SWINGARM PIVOT	1				
5	887133211	SPANNER FOR ADJUSTING THE ECCENTRIC HUB	1				
6	887131515	FRAME/MOTOR SUPPORT	1				
7	887131058	SPANNER TO ASSEMBLE THE STEERING SLEEVE	1				
8	800070139	WRENCH FOR FRONT WHEEL SPINDLE	1				
9	887131062	TOOL ASSEMBLING STEERING TUBE BEARING	1				
10	887133501	WRENCH TO TIGHTEN CAP TANK	1				
11	887132409	TOOL ASSEMBLING SWINGARM BALL BEARING	1				
12	887133396	BENCH FOR ENGINE REPAIR	1				
13	887133526	WRENCH FOR TIGHTENING FRAME RING NUT	1				
14	887134967	LEVER	1				
15	5101A331A	ELECTRIC WIRING	1				





POS.	CODE	DESCRIPTION	QTY	START DATE	END DATE	VALIDITY	NOTES
1	979000252	DDS 2 (Ducati Diagnosis System 2.0)	1				
2	979000253	BELT TENSIONING KIT	1				
3	979000254	MAIN CABLE	1				
4	979000255	MAIN CABLE (CAN)	1				
5	979000256	MAIN CABLE DDS	1				
6	28620441A	CHIAVE "PC HASP DDS2.0"	1				

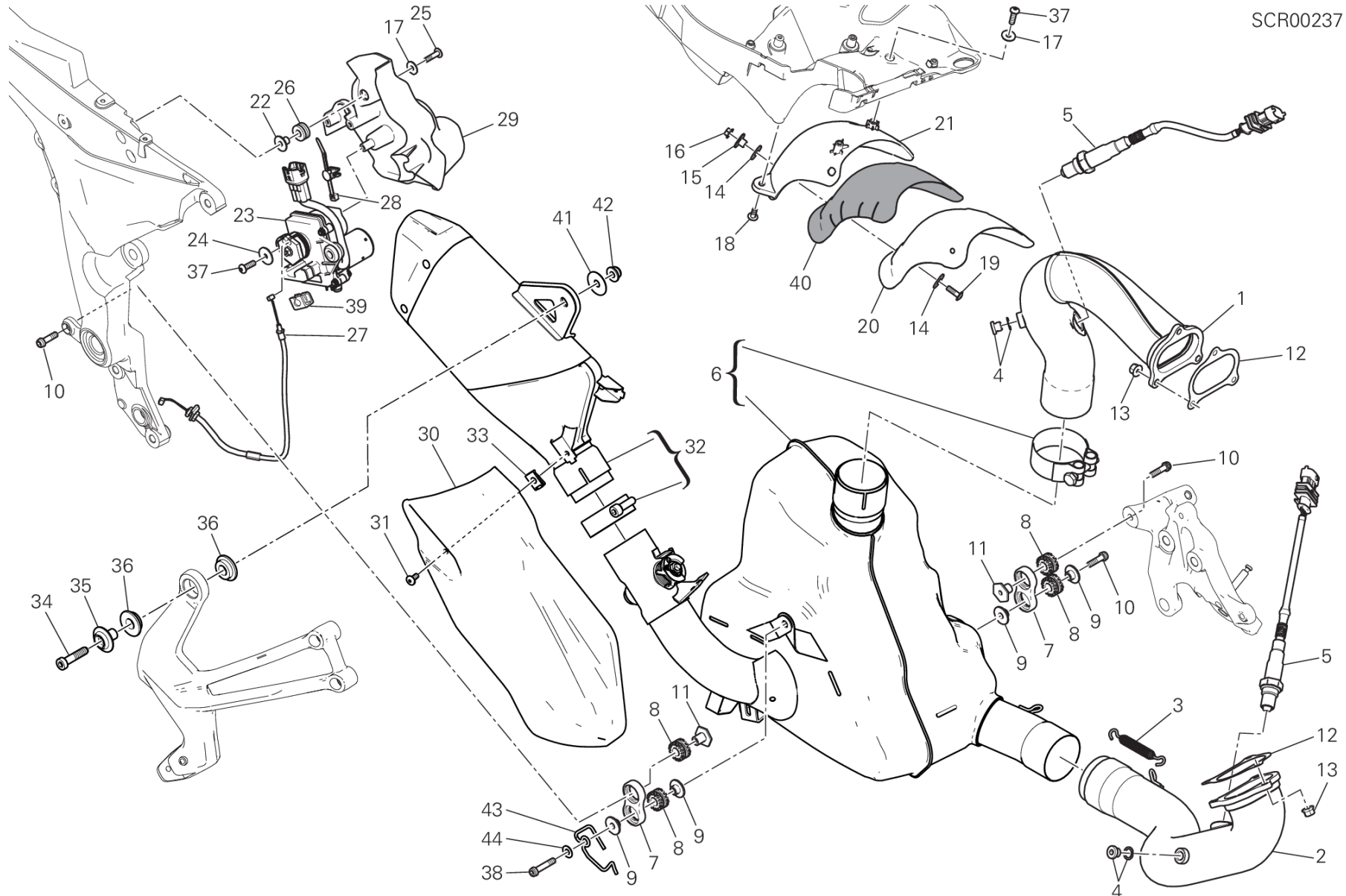


DRAWING B2 - (*) PIRELLI SCORPION™ TRAIL II [MOD:MS1200E]

GROUP TYRES



POS.	CODE	DESCRIPTION	QTY	START DATE	END DATE	VALIDITY	NOTES
1	49040772A	FRONT TYRE SCORPION™ TRAIL II (120-70 ZR19)	1	01/02/2016			
2	49141072A	REAR TYRE SCORPION™ TRAIL II (170-60 ZR17)	1	01/02/2016			

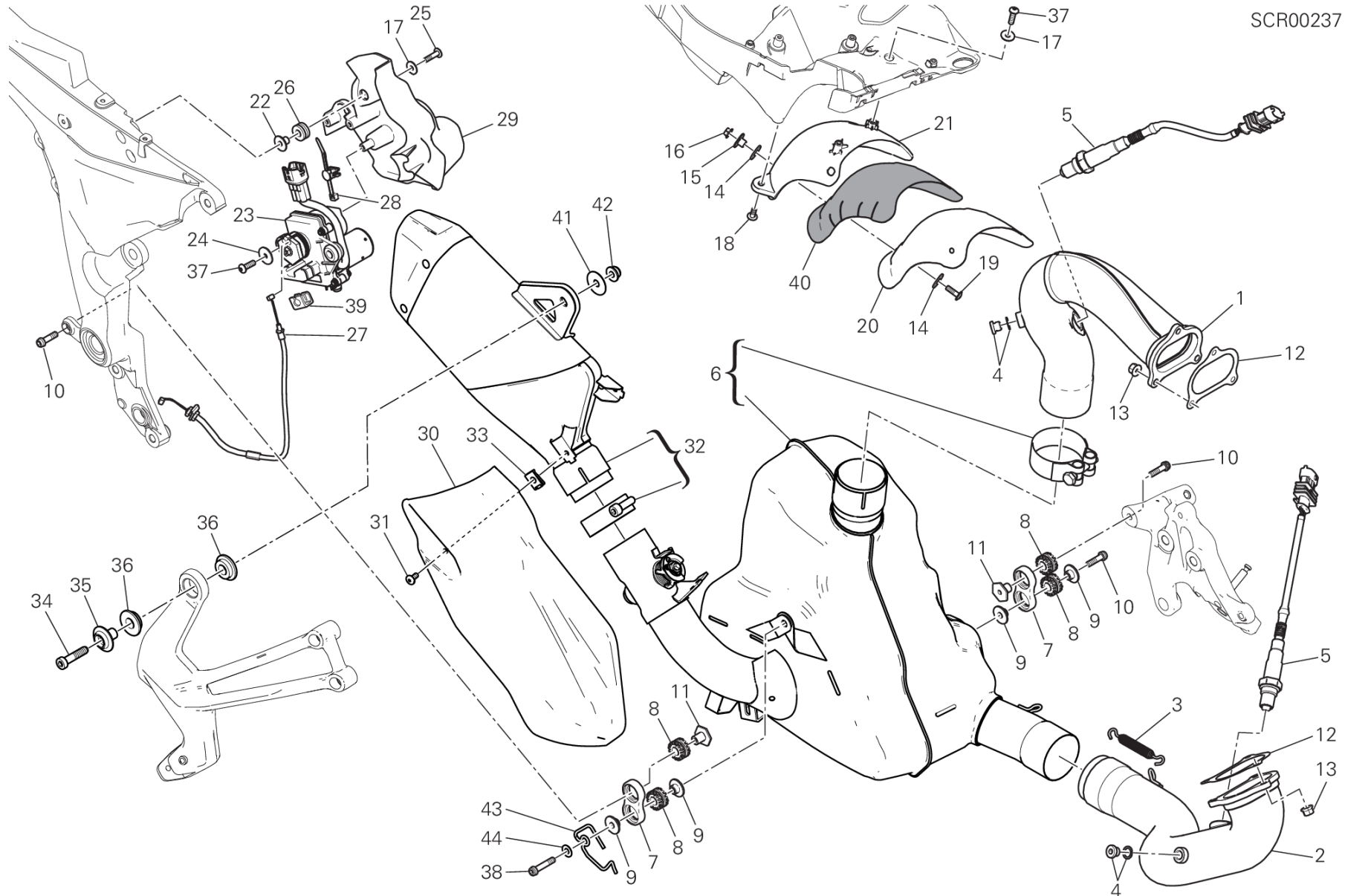


DRAWING 019 - EXHAUST SYSTEM [MOD:MS1200E]

GROUP FRAME



POS.	CODE	DESCRIPTION	QTY	START DATE	END DATE	VALIDITY	NOTES
1	57113851B	VERTICAL EXHAUST PIPE	1	10/11/2014			
2	57014191B	HORIZONTAL EXHAUST PIPE	1	10/11/2014			
3	79925941A	COMPLETE SPRING	1	10/11/2014			
4	78020011A	PLUG ASSY	2				
5	55214491B	SENSOR LAMBDA SOND	2	07/11/2014			
6	57314031B	PRESILENCER	1	05/11/2015		XST:AUS, EUR, FRA, JAP, ROK	
7	57610671A	BRACKET, SILENCER	2	24/11/2014			
8	76410241A	VIBRATION DAMPER PAD	4	24/11/2014			
9	71614141A	SPACER	4	10/11/2014			
10	77156688B	SCREW TCEIF M6X22X18	3	24/11/2014			
11	71011491A	SPINDLE, TAPER	2	24/11/2014			
12	79010211A	GASKET, EXHAUST PIPE	2	10/11/2014			
13	74810241A	NUT	6	10/11/2014			
14	85640121A	WASHER	6	28/10/2014			
15	71614251A	SPACER	3	28/10/2014			
16	74840261C	NUT	3	28/10/2014			
17	85250311A	WASHER 5.3X15X1.2	5	28/10/2014			
18	77240263C	SCREW	2	10/11/2014			
19	77240288C	SCREW	3	28/10/2014			
20	4601C332A	HEAT GUARD BOTTOM	1	28/10/2014			
21	4601C321A	HEAT GUARD UPPER	1	28/10/2014			
22	71614102AB	SPACER	3	08/06/2015			
23	59340301C	ELECTRIC MOTOR, EXHAUST VALVE	1	24/11/2014			
24	85241711A	WASHER 5.3X20X1.5	2	28/10/2014			
25	77240308C	SCREW	3	24/11/2014			
26	76411141A	VIBRATION DAMPER PAD	3	24/11/2014			
27	73210552A	CABLE, EXHAUST VALVE	1	20/10/2015			
28	75840771A	FAIRLEAD	1	24/11/2014			
29	8291D652A	BRACKET, MOTOR EXHAUST VALVE	1	24/11/2014			
30	4601D961AA	SILENCER PROTECTION	1	09/02/2015			
31	77244173B	SCREW	3	10/01/2015			
32	57314202BA	SILENCER	1	10/02/2016			
33	85040551A	QUICK FASTENING	3	10/11/2014			
34	77355068B	SCREW TCEIR M8X35	1	09/02/2015			
35	71314361A	COLLAR, SILENCER MOUNTING	1	09/02/2015			

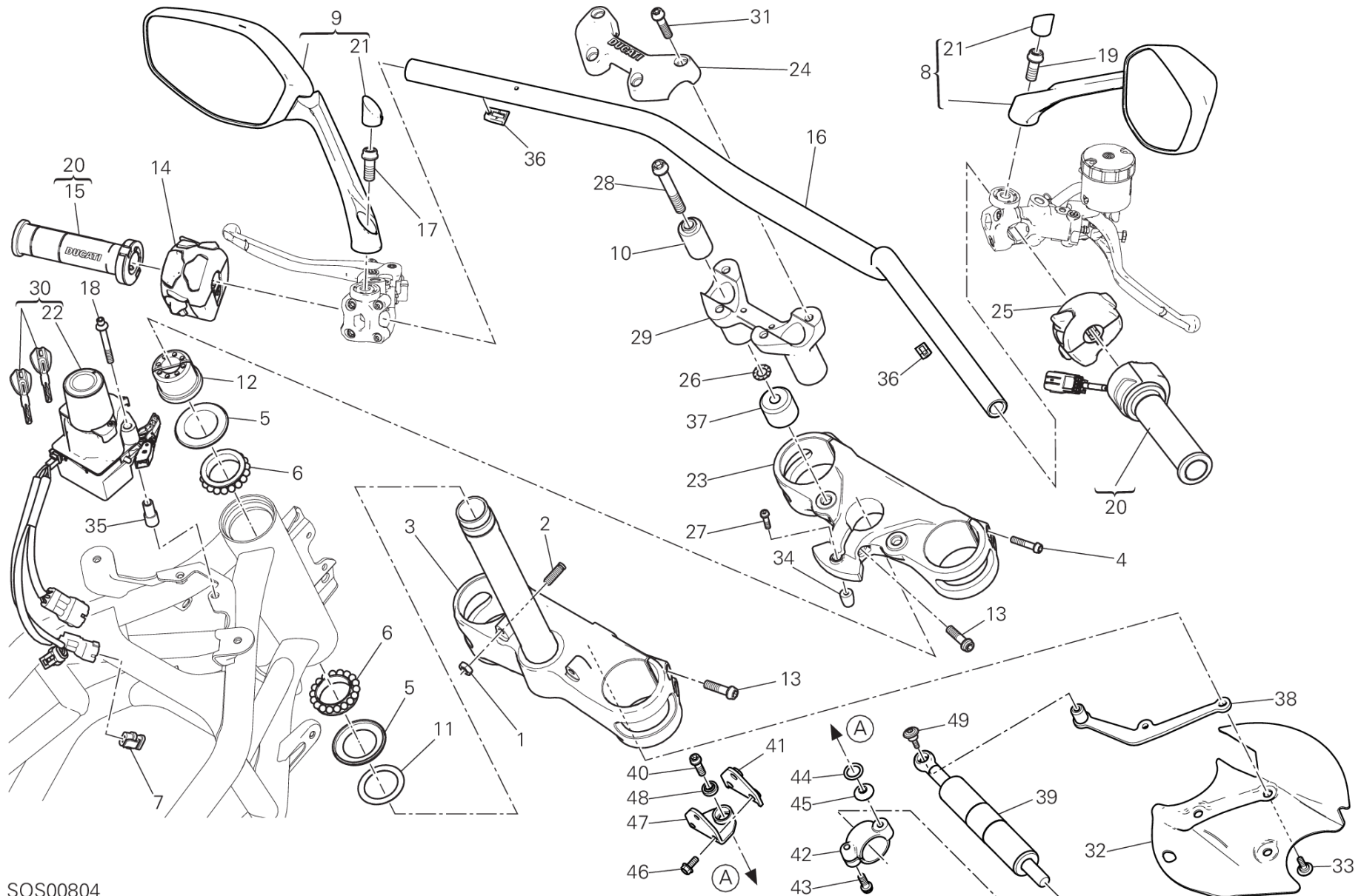


DRAWING 019 - EXHAUST SYSTEM [MOD:MS1200E]

GROUP FRAME



POS.	CODE	DESCRIPTION	QTY	START DATE	END DATE	VALIDITY	NOTES
36	76410011A	DAMPER	2	09/02/2015			
37	77440061A	SCREW, TAPPING 4.5X16	4	27/03/2015			
38	77156718B	SCREW TCEIF M6X30	1	01/02/2016			
39	75910251A	SPRING	1	30/03/2015			
40	4601D401A	THERMOREFLECTING PROTECTION	1	27/03/2015			
41	85212901A	WASHER	1	23/11/2015			
42	74941128B	NUT M8	1	09/02/2015			
43	75811181A	FAIRLEAD	1	01/02/2016			
44	85240171A	WASHER 10.5X18X1.6	1	01/02/2016			



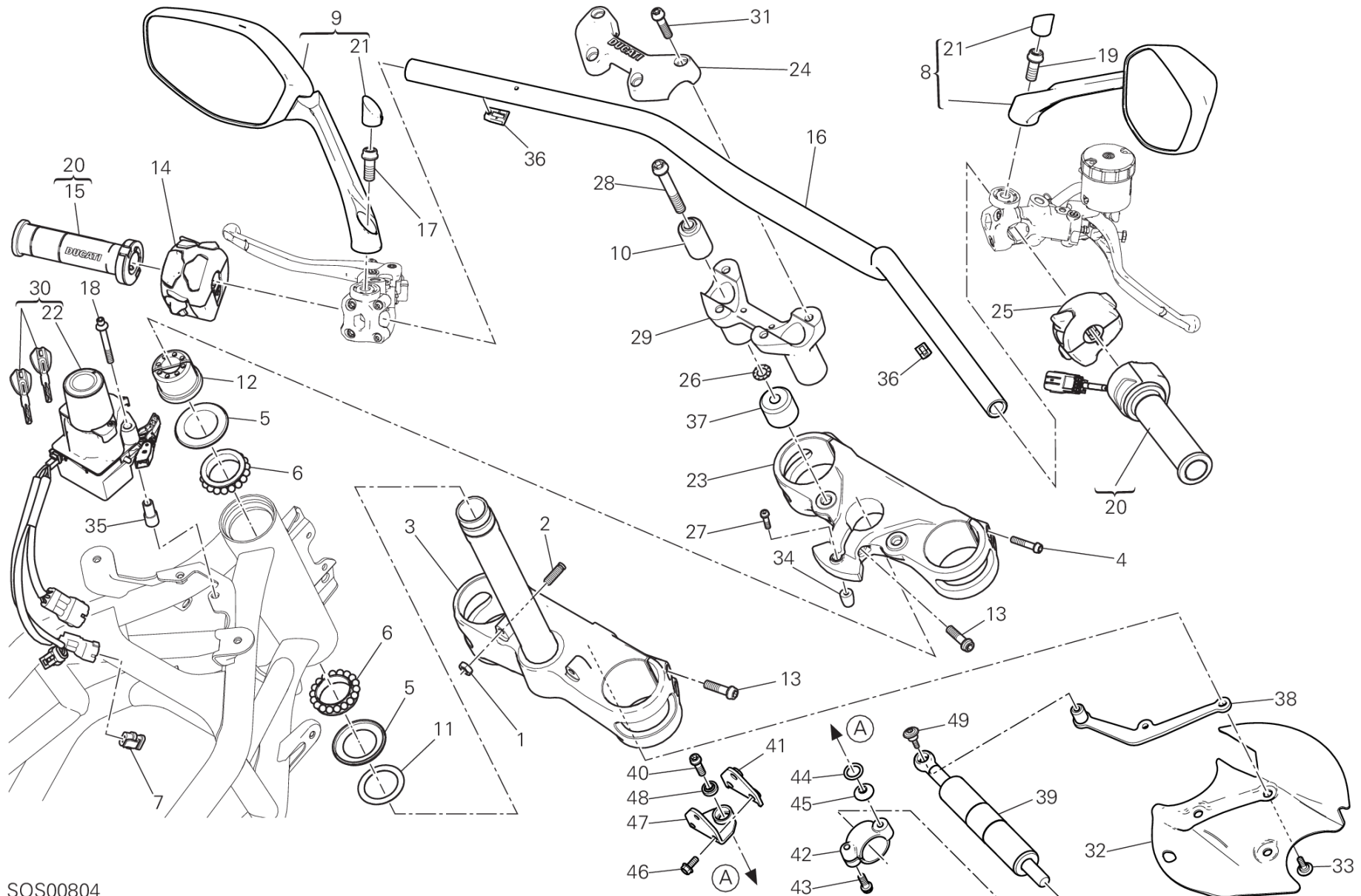
SOS00804

DRAWING 021 - HANDLEBAR [MOD:MS1200E]

GROUP FRAME



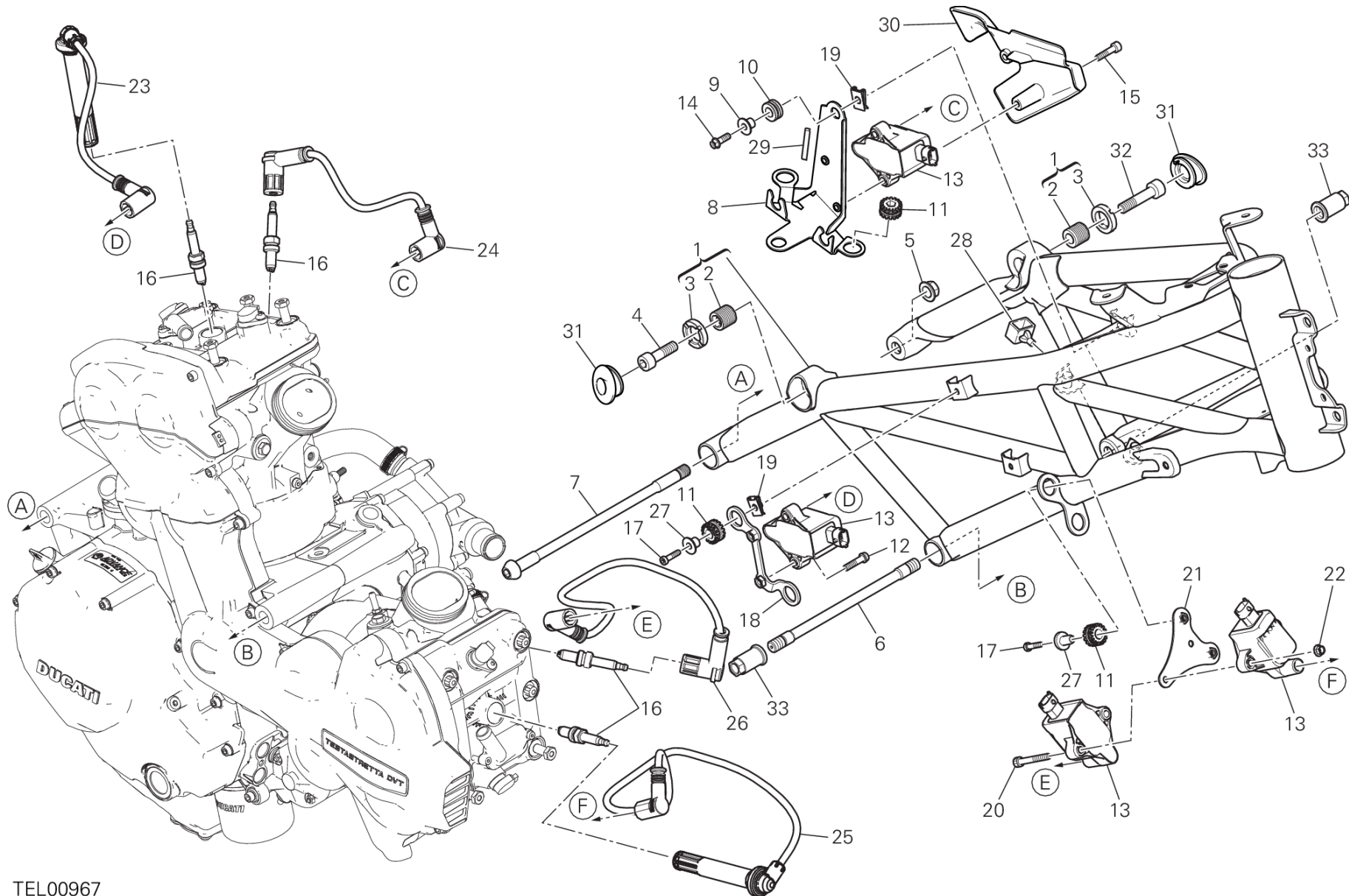
POS.	CODE	DESCRIPTION	QTY	START DATE	END DATE	VALIDITY	NOTES
1	74750071A	NUT	2	15/04/2013			
2	77910991B	SCREW	2	15/04/2013			
3	34220831BA	HOSE GUIDE	1	30/01/2015			
4	77156718B	SCREW TCEIF M6X30	4	13/01/2015			
5	93010041B	SEAL RING	2	15/04/2013			
6	70241231A	BEARING, STEERING NTN SF07A17P	2	07/05/2015			
7	87210641A	CAP, CONNECTOR	1	08/05/2013			
8	52310581A	REAR-VIEW MIRROR R.H.	1	09/02/2015			
9	52310591A	REAR-VIEW MIRROR L.H.	1	09/02/2015			
10	70010962A	VIBRATION DAMPER	2	22/10/2015			
11	85211031A	WASHER	1	15/04/2013			
12	70310131A	THREAD, STEERING HEAD TOP	1	08/05/2013			
13	77157278B	SCREW TCEIF M8X30	5	15/04/2013			
14	65110211C	LEFT SWITCH	1	21/10/2015			
15	36110111C	HAND GRIP LH	1	13/10/2014			
16	36015442AB	HANDLEBAR	1	22/10/2015			
17	77113771B	SCREW L.H.	1	08/05/2013			
18	77919202AA	SCREW, SPECIAL	2	07/11/2014			
19	77159313B	SCREW	1	08/05/2013			
20	66020072D	THROTTLE CONTROL	1	21/10/2015			
21	87211161A	PLUG	2	01/09/2015			
22	38510741B	SWITCH HANDS FREE 868 MHZ	1	17/11/2015		XST:AUS,EUR,FRA,ROK	AUS-BRA-CHN-EUR-FRA-ROK-THA-TWN
	38510761B	SWITCH HANDS FREE 315 MHZ	1	26/10/2015		XST:JAP	JAP
23	34111072AA	STEERING HEAD	1	10/01/2015			
24	36011781AA	HANDLEBAR BRACKET, UPPER	1	13/10/2014			
25	65010211B	RIGHT SWITCH	1	10/01/2015			
26	85350111A	WASHER, SPRING	2	15/04/2013			
27	77156438B	SCREW	1	20/10/2014			
28	77154478F	SCREW	2	21/10/2015			
29	36011792AA	HOLDER, HANDLE LOWER	1	20/10/2014			
30	59821471F	HANDS FREE 868 MHZ KIT	1	17/02/2015		XST:AUS,EUR,FRA,ROK	AUS-BRA-CHN-EUR-FRA-ROK-THA-TWN
	59821501F	KIT HANDS FREE 315 MHZ	1	26/10/2015		XST:JAP	JAP
31	77157288B	SCREW TCEIF M8X35	4	13/10/2014			



SOS00804



POS.	CODE	DESCRIPTION	QTY	START DATE	END DATE	VALIDITY	NOTES
32	4601E481A	MUDGUARD, FRONT	1	05/02/2016			
33	77214371AA	SCREW	3	05/02/2016			
34	82115061A	PIN	1	20/10/2014			
35	71614914AA	SPACER	2	10/07/2015			
36	83040071A	CLIP	2	13/10/2014			
37	7131B801AA	SPACER	2	21/10/2015			
38	8301F191AA	BRACKET	1	01/02/2016	17/03/2016		
39	36420171A	STEERING DAMPER	1	01/02/2016	03/05/2016		
40	77156678B	SCREW TCEIF M6X20	1	10/02/2016			
41	8301F161AA	PLATE	1	01/02/2016			
42	80812251AA	CLAMPER, STEERING DAMPER	1	30/03/2016			
43	77110391A	SCREW TCEIF M6X16	1	01/02/2016			
44	88650141A	O-RING	1	01/02/2016			
45	7131C331AA	SPACER	1	01/02/2016			
46	77250728B	SCREW TEF M5X12	3	01/02/2016			
47	8301F151AA	BRACKET	1	01/02/2016			
48	84840011A	BALL JOINT	1	01/02/2016			
49	77214391AA	SCREW	1	10/02/2016			



TEL00967

1200 Enduro /16

021000016 - 1

DRAWING 022 - FRAME [MOD:MS1200E]

GROUP FRAME

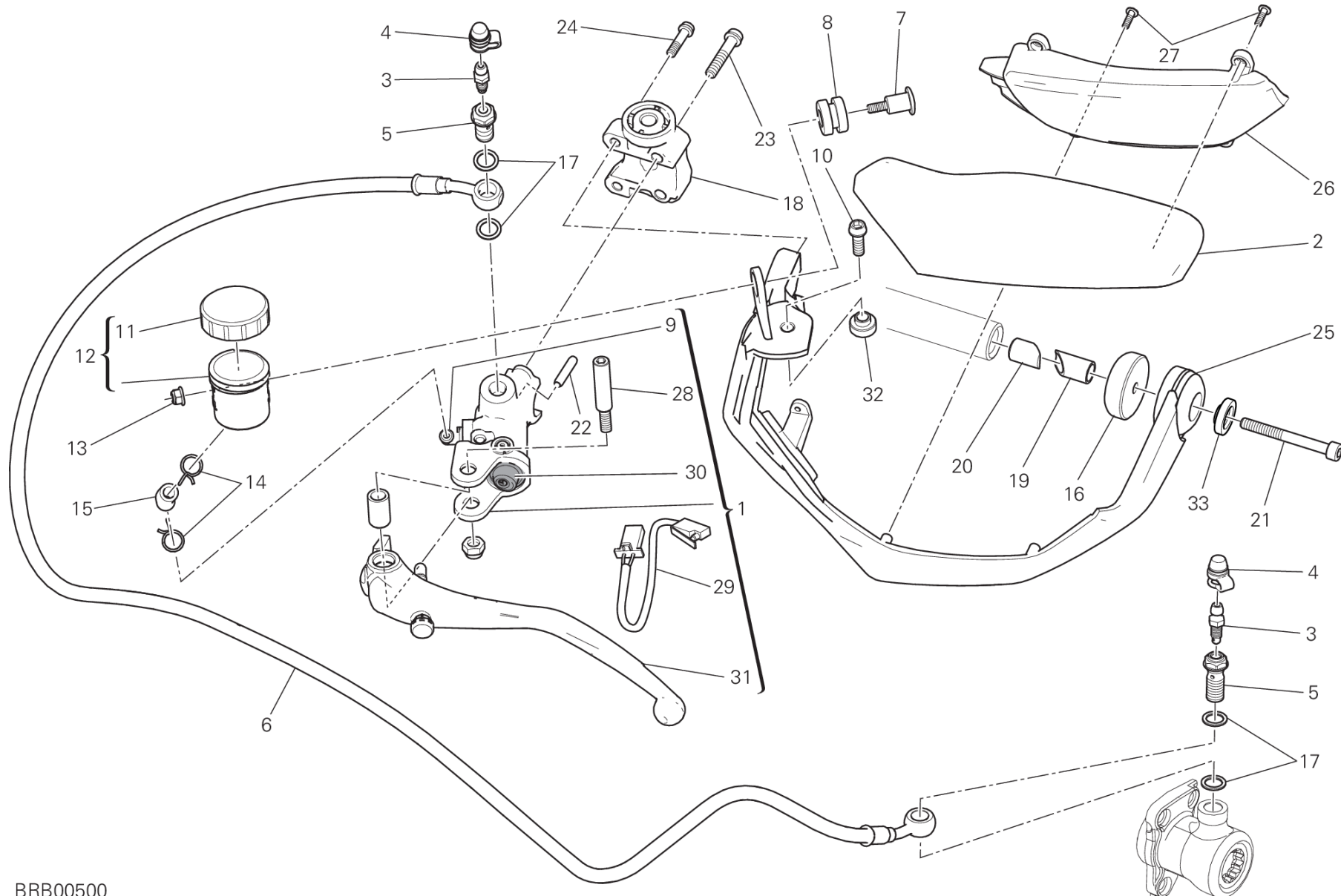


POS.	CODE	DESCRIPTION	QTY	START DATE	END DATE	VALIDITY	NOTES
1	470P7851DK	FRAME GREY	1	04/11/2015	09/03/2016	XST:EUR,FRA,JAP,ROK	
	470P7951AK	FRAME GREY	1	04/11/2015		XST:AUS	AUS
2	77917261A	THREADED DOWEL	2	18/12/2014			
3	70310662A	RING NUT	2	18/12/2014			
4	7791A201AA	SCREW, SPECIAL	1	05/11/2015			
5	74841011AA	NUT, FLANGE	1	10/11/2014			
6	7791A161AA	SCREW, SPECIAL	1	05/11/2015			
7	77919101AA	SCREW, SPECIAL	1	10/11/2014			
8	8301A032AA	BRACKET	1	07/11/2014			
9	71614102AB	SPACER	1	09/02/2015			
10	76411141A	VIBRATION DAMPER PAD	1	07/11/2014			
11	76410241A	VIBRATION DAMPER PAD	6	07/11/2014			
12	77310021A	SCREW TCEIR M6X25	2	18/09/2014			
13	38040251A	IGNITION COIL	4	18/09/2014			
14	77240308C	SCREW	1				
15	77156713B	SCREW	2				
16	67040451A	SPARK PLUG NGK MAR9A-J	4	19/03/2015			
17	77354743B	SCREW TCEIR M5X20 DIN6912 8.8	4	07/11/2014			
18	8291E091AA	BRACKET, COIL VERTICAL	1	18/09/2014			
19	85040551A	QUICK FASTENING	3	07/11/2014			
20	77150748B	SCREW TCEI M6X45	2	18/09/2014			
21	8291E081AA	BRACKET, COIL HORIZONTAL	1	18/09/2014			
22	74810361A	NUT 6MM	2	08/10/2014			
23	67110691A	SPARK PLUG CABLE, VERTICAL HEAD	1	18/09/2014			
24	67110661A	CABLE, VERTICAL HEAD SPARK PLUG LH	1	18/09/2014			
25	67110671F	SPARK PLUG CABLE, HORIZONTAL HEAD	1	02/11/2015			
26	67110682A	CABLE, HORIZONTAL HEAD SPARK PLUG LH	1	18/09/2014			
27	71614511AA	SPACER	4	18/05/2015			
28	82911901A	MOUNT RUBBER	1	07/11/2014			
29	76412131A	RUBBER PAD	2	10/01/2015			
30	48017411A	CAP LH	1	07/11/2014			
31	87211171A	PLUG	2	09/02/2015			
32	7791A211AA	SCREW, SPECIAL	1	05/11/2015			
33	75011851AA	NUT, SPECIAL	2	04/11/2015			



DRAWING 023 - CLUTCH MASTER CYLINDER [MOD:MS1200E]

GROUP FRAME



BRB00500

1200 Enduro /16

021000016 - 1

Page 92 / 152

SPARE PARTS CATALOGUE

09/03/2016

DRAWING 023 - CLUTCH MASTER CYLINDER [MOD:MS1200E]

GROUP FRAME

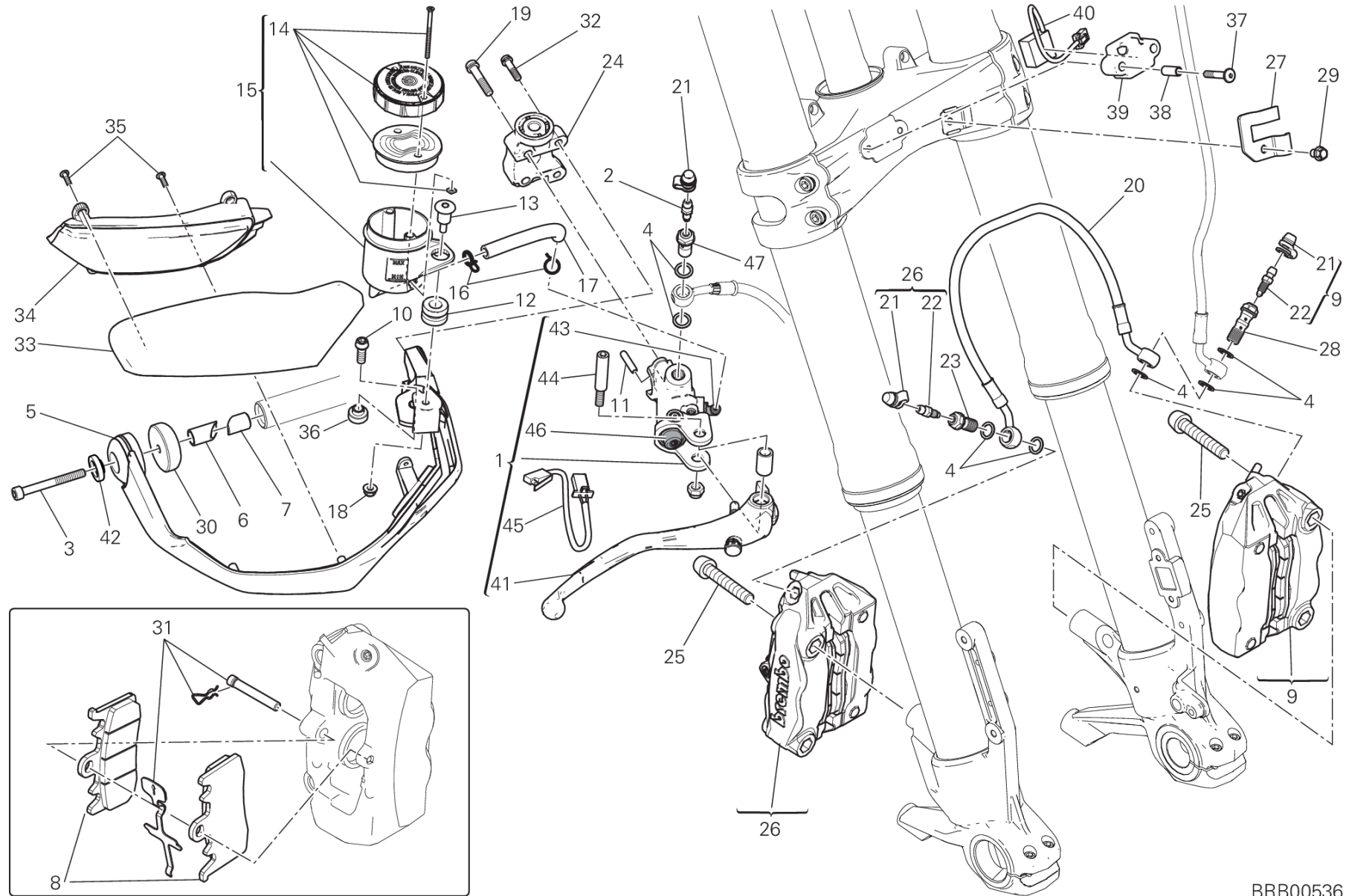


POS.	CODE	DESCRIPTION	QTY	START DATE	END DATE	VALIDITY	NOTES
1	63040672B	CLUTCH PUMP	1	04/03/2015			
2	4601C292A	GUARD, KNUCKLE, LH UPPER	1	10/11/2014			
3	18710021A	VALVE, BREATHER	1	25/09/2012			
4	61240052A	DUST COVER (SACCHETTO Q.tà 20)	1	01/02/2012			
5	77913971A	BOLT, BRAKE HOSE	1	01/02/2012			
6	63210801A	CLUTCH CONTROL PIPE	1	21/04/2015			
7	77910921A	SCREW	1	08/05/2013			
8	037072020	DAMPER	1	08/05/2013			
9	63140081A	JOINT, HOSE	1				
10	77110401B	SCREW	1	11/02/2015			
11	89340051A	COVER MASTER CYLINDER	1	01/05/2011			
12	58540231A	TANK ASSY, RESERVOIR CLUTCH	1	04/03/2015			
13	74810351B	NUT	1	08/05/2013			
14	74140431A	CLAMP	2	01/02/2012			
15	87711141A	PIPE	1	04/03/2015			
16	15310142AA	BALANCER SET, HANDLE BAR	1	07/11/2014			
17	85250241A	WASHER 10X14X1	4	01/02/2012			
18	80811941AB	CLAMP	1	13/10/2014			
19	71011071A	BUSH	1	10/11/2014			
20	71111301A	SPINDLE, TAPER	1	10/11/2014			
21	77150763B	SCREW TCEI M6X55 UNI5931 8.8	1	10/11/2014			
22	86050171A	PIN, SPRING	1	01/10/2014			
23	77156713B	SCREW	2	01/10/2014			
24	77156423B	SCREW	2	22/10/2015			
25	4601C312A	GUARD, KNUCKLE, LH	1	10/01/2015			
26	53010352A	TURN INDICATOR L.H.	1	09/02/2015			
27	77440111A	SCREW	5	10/11/2014			
28	62640561A	BOLT, LEVER	1				
29	53940771A	MICROSWITCH	1				
30	61240391A	DUST COVER	1				
31	63140341A	CLUTCH LEVER	1				
32	7131B251AA	SPACER	1	10/11/2014			
33	7131B281AA	SPACER	1	10/11/2014			



DRAWING 024 - FRONT BRAKE SYSTEM [MOD:MS1200E]

GROUP FRAME



BRB00536

DRAWING 024 - FRONT BRAKE SYSTEM [MOD:MS1200E]

GROUP FRAME

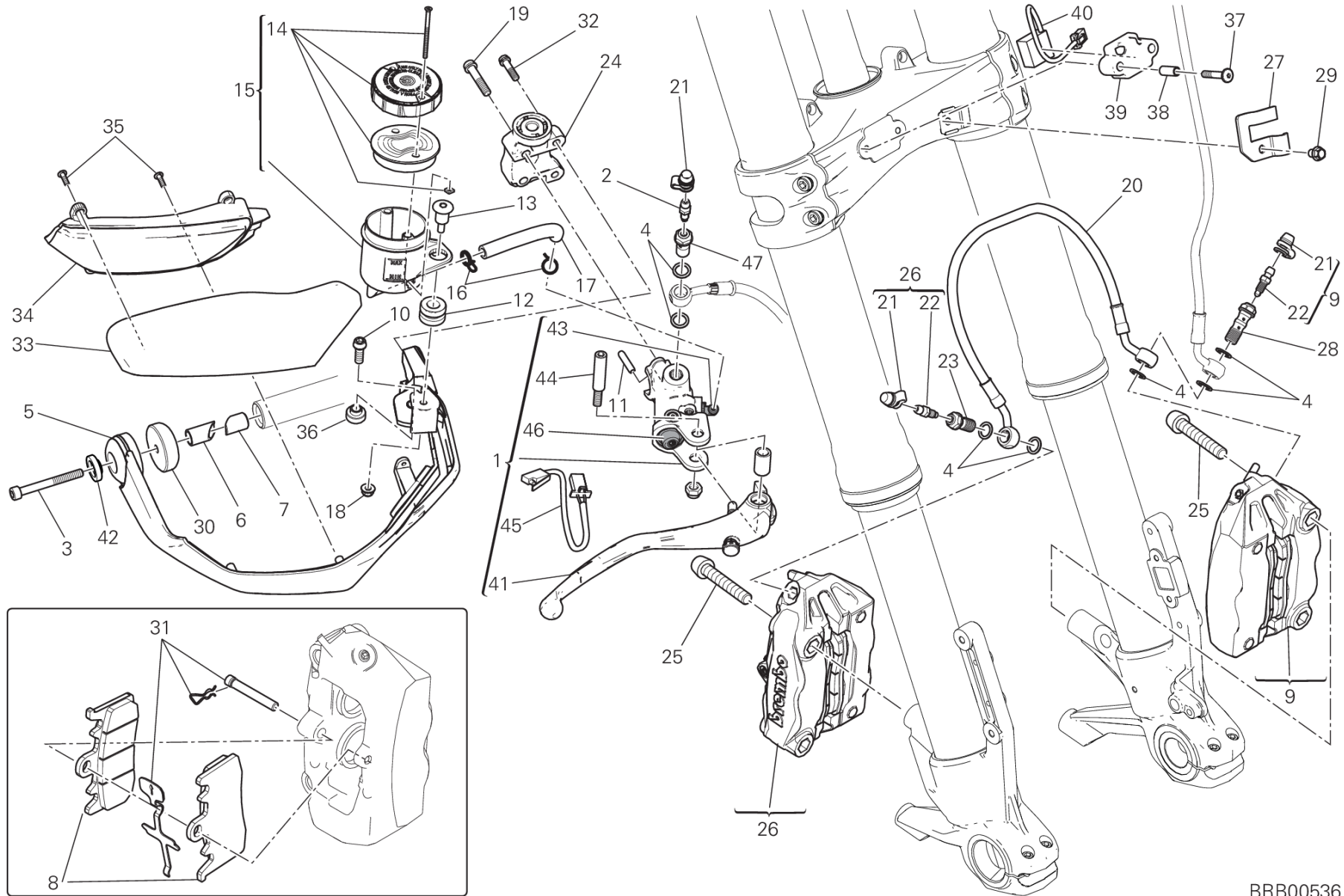


POS.	CODE	DESCRIPTION	QTY	START DATE	END DATE	VALIDITY	NOTES
1	62440951B	FRONT BRAKE PUMP	1	30/04/2015			
2	18710021A	VALVE, BREATHER	1	09/02/2015			
3	77150763B	SCREW TCEI M6X55 UNI5931 8.8	1	10/11/2014			
4	85250241A	WASHER 10X14X1	7	25/09/2012			
5	4601C302A	GUARD, KNUCKLE, RH	1	10/01/2015			
6	71011071A	BUSH	1	10/11/2014			
7	71111301A	SPINDLE, TAPER	1	10/11/2014			
8	61340121A	PADS PAIR	2	21/11/2012			
9	61041491A	LEFT BRAKE CALIPER	1	30/04/2015			
10	77110401B	SCREW	1	08/05/2013			
11	86050171A	PIN, SPRING	1	20/10/2014			
12	037072020	DAMPER	1	25/09/2012			
13	77910921A	SCREW	1	08/05/2013			
14	800068490	CAP BRAKE FLUID TANK	1				
15	58540221A	RESERVOIR, BRAKE FLUID	1	28/10/2014			
16	74140431A	CLAMP	2	25/09/2012			
17	87711411A	HOSE	1	10/09/2014			
18	74810351B	NUT	1	08/05/2013			
19	77156713B	SCREW	2	08/05/2013			
20	61810801A	HOSE, FRONT BRAKE CALIPER-CALIPER	1	30/04/2015			
21	61240052A	DUST COVER (SACCHETTO Q.tà 20)	3	01/02/2012			
22	61240201A	FRONT CALIPER DRAIN SCREW	2	21/11/2012			
23	77913971A	BOLT, BRAKE HOSE	2	21/04/2015			
24	80811931AB	CLAMP	1	10/11/2014			
25	77913311D	SCREW M 10 X 60	4	18/11/2014			
26	61041501A	RIGHT BRAKE CALIPER	1	30/04/2015			
27	8301A131AA	BRACKET	1	07/11/2014			
28	77914651A	BOLT, BRAKE HOSE	1	30/04/2015			
29	77210591A	SCREW TEF M6X10	1	08/05/2013			
30	15310142AA	BALANCER SET, HANDLE BAR	1	07/11/2014			
31	61240511A	SPARE PIN AND SPRING	2	21/11/2012			
32	77156423B	SCREW	2	22/10/2015			
33	4601C282A	GUARD, KNUCKLE, RH UPPER	1	10/11/2014			
34	53010342A	TURN INDICATOR R.H.	1	09/02/2015			
35	77440111A	SCREW	5	10/11/2014			



DRAWING 024 - FRONT BRAKE SYSTEM [MOD:MS1200E]

GROUP FRAME



BRB00536

DRAWING 024 - FRONT BRAKE SYSTEM [MOD:MS1200E]

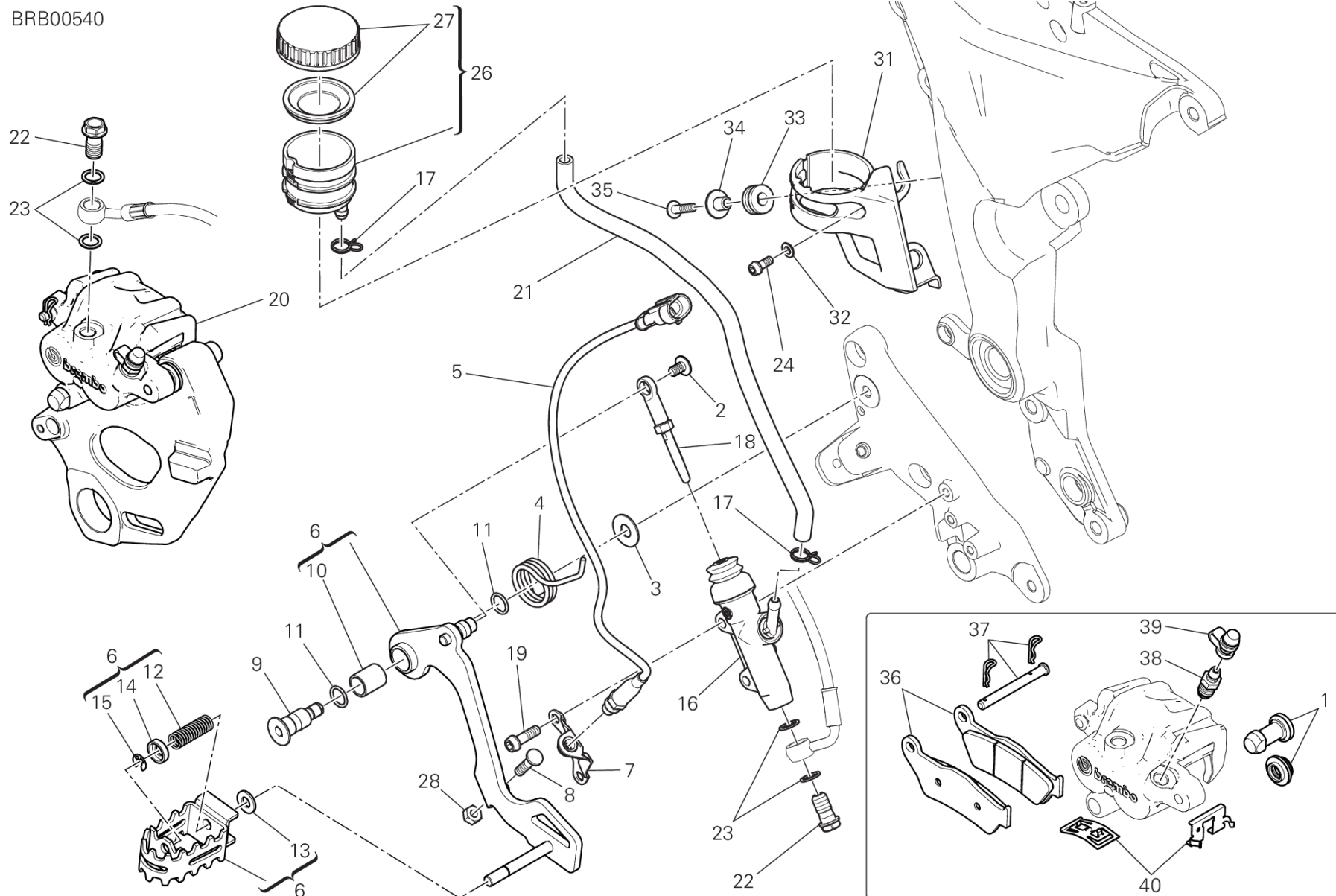
GROUP FRAME



POS.	CODE	DESCRIPTION	QTY	START DATE	END DATE	VALIDITY	NOTES
36	7131B251AA	SPACER	1	10/11/2014			
37	77240343C	SCREW	2	18/11/2014			
38	71114113AA	BUSH	2	18/11/2014			
39	8291A891A	BRACKET	1	18/11/2014			
40	55214281B	ACCELEROMETER Front	1	30/01/2015			
41	63140331A	LEVER, FRONT BRAKE	1				
42	7131B281AA	SPACER	1	10/11/2014			
43	63140081A	JOINT, HOSE	1				
44	62640561A	BOLT, LEVER	1				
45	53940801A	MICROSWITCH	1				
46	61240391A	DUST COVER	1				
47	77915511A	SCREW, SPECIAL	1	30/04/2015			



BRB00540



DRAWING 025 - REAR BRAKING SYSTEM [MOD:MS1200E]

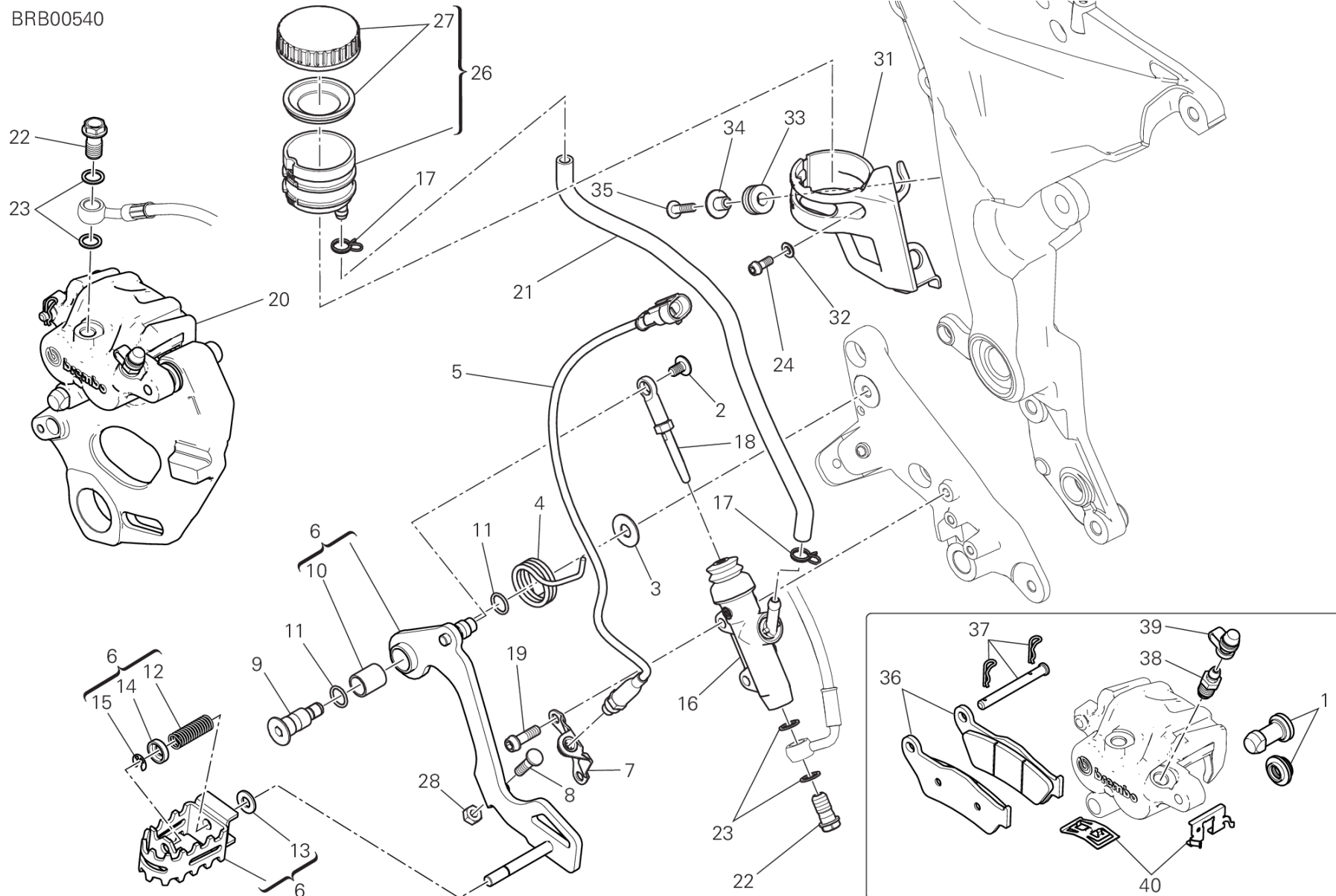
GROUP FRAME



POS.	CODE	DESCRIPTION	QTY	START DATE	END DATE	VALIDITY	NOTES
1	61240301A	DUST COVER	1				
2	77240398C	SCREW TBEIF M6X10	1	07/10/2015			
3	85211511A	WASHER	1	24/12/2009			
4	79915881AA	SPRING	1	06/03/2015			
5	53940031B	SWITCH, REAR BRAKE	1	07/11/2014			
6	45720872AA	BRAKE LEVER ASSEMBLY (Unit)	1	07/10/2015			
7	47317901A	BRACKET	1	08/05/2013			
8	77912371B	SCREW	1	08/05/2013			
9	82111701CA	PIN PEDAL	1	06/03/2015			
10	71210341A	BUSH	1	24/12/2009			
11	88641161A	O-RING	2	08/05/2013			
12	79916182AA	SPRING	1	13/10/2015			
13	85213892AA	WASHER	1	13/10/2015			
14	85611591AA	WASHER	1	13/10/2015			
15	88450031A	CIRCLIP E-TYPE	1	13/10/2015			
16	62540311B	REAR BRAKE PUMP	1	25/09/2012			
17	74140431A	CLAMP	2	01/02/2012			
18	11723581A	ROD, PUSH	1	06/03/2015			
19	77156678B	SCREW TCEIF M6X20	2	08/05/2013			
20	61141623A	REAR BRAKE CALIPER	1	30/04/2015			
21	87711541A	PIPE	1	25/09/2012			
22	77913662AB	BOLT, BRAKE HOSE	2	25/09/2012			
23	85250241A	WASHER 10X14X1	4	01/02/2012			
24	77156393B	SCREW M5X12	1	07/11/2014			
26	58540151A	RESERVOIR, BRAKE FLUID	1	10/09/2014			
27	89340111A	PLUG	1	24/12/2009			
28	74750031A	NUT 6MM	1	08/05/2013			
31	8291D391A	BRACKET, FUEL TANK REAR	1	07/11/2014			
32	71614081A	SPACER 5X6.6X1.5	1	07/11/2014			
33	76411141A	VIBRATION DAMPER PAD	2	07/11/2014			
34	71614102AB	SPACER	2	07/11/2014			
35	77240308C	SCREW	2	07/11/2014			
36	61340941A	REAR BRAKE PADS SET	1				
37	61240321A	PIN BRAKE PAD	1				
38	63140281A	DRAIN	1				



BRB00540

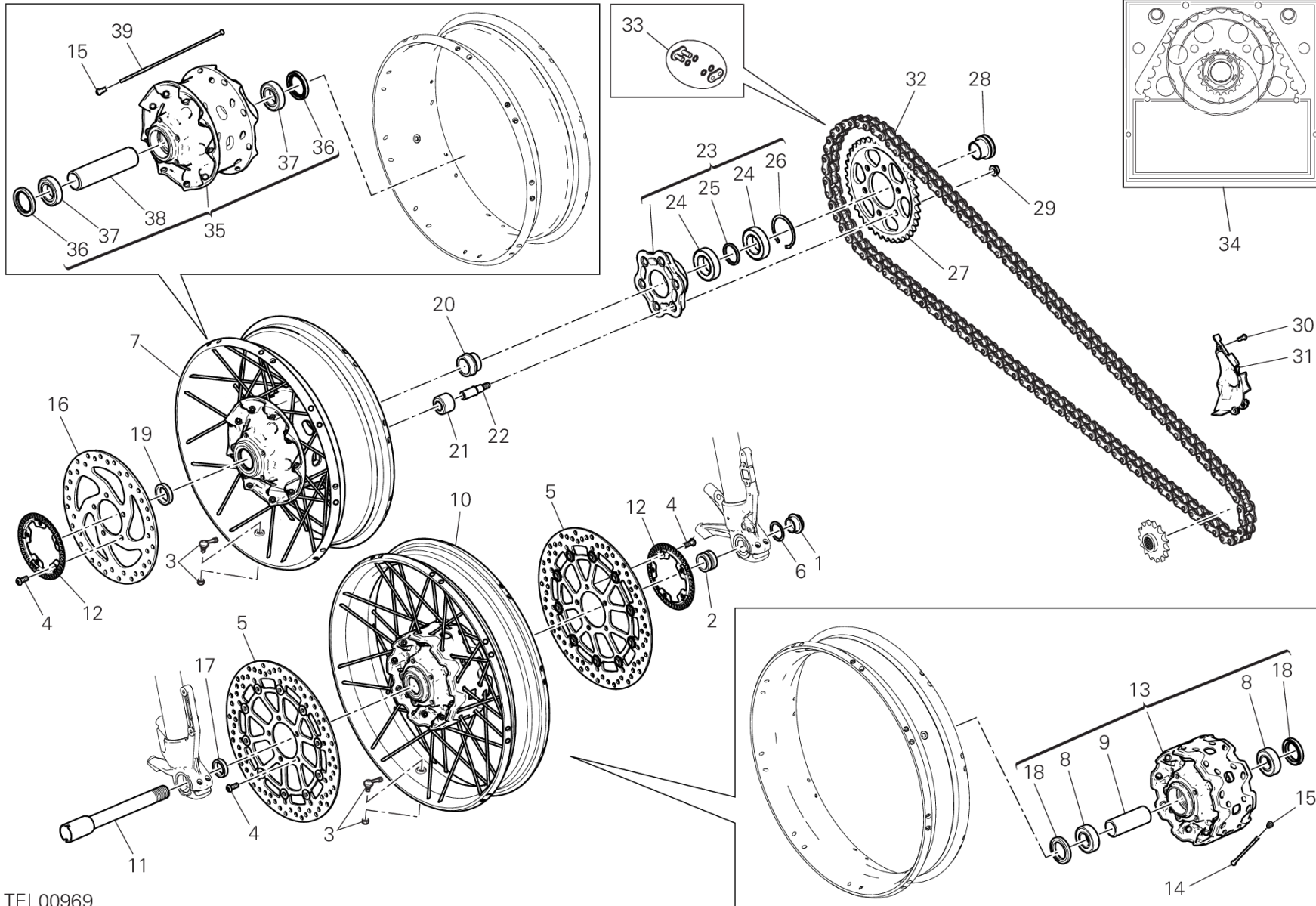


DRAWING 025 - REAR BRAKING SYSTEM [MOD:MS1200E]

GROUP FRAME



POS.	CODE	DESCRIPTION	QTY	START DATE	END DATE	VALIDITY	NOTES
39	61240081A	DUST PLUG	1				
40	61240481A	SPRING, PAD STOPPER	1				



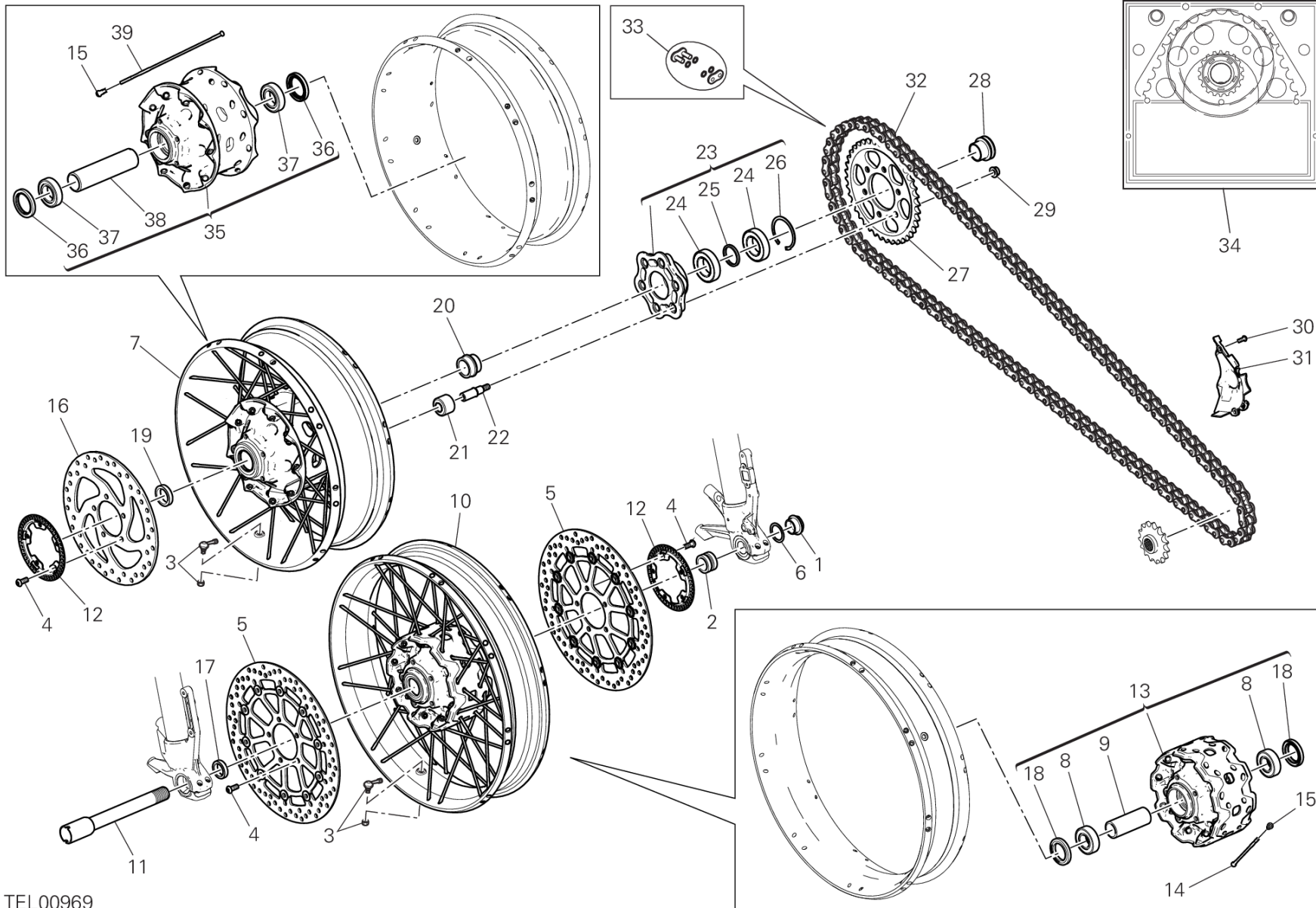
TEL00969

DRAWING 026 - WHEELS [MOD:MS1200E]

GROUP FRAME



POS.	CODE	DESCRIPTION	QTY	START DATE	END DATE	VALIDITY	NOTES
1	74810651A	NUT	1	08/05/2013			
2	7131B901AA	LEFT SPACER	1	04/11/2015			
3	49720071A	VALVE, TUBELESS TIRE	2	18/01/2016			
4	77913991A	SCREW M8X20	15	13/01/2016			
5	49241011A	FRONT BRAKE DISC	2	15/04/2013			
6	85212221A	WASHER 30X40X1	1	08/05/2013			
7	50221891AB	REAR WHEEL RIM	1	13/01/2016			
8	70250721A	BEARING	2	13/01/2016			
9	71413412A	INNER SPACER	1	13/01/2016			
10	50122102AB	FRONT WHEEL RIM	1	13/01/2016			
11	81910601A	FRONT WHEEL SPINDLE	1	08/05/2013			
12	50410051A	FRONT PHONIC WHEEL	2	15/04/2013			
13	16220562AB	HUB, FRONT WHEEL (Unit)	1	13/01/2016			
14	49610051A	SPOKE, WHEEL	40	13/01/2016			
15	81540062A	NIPPLE, SPOKE	80	13/01/2016			
16	49241531A	REAR BRAKE DISC	1	13/01/2016			
17	7131B911AA	RIGHT SPACER	1	04/11/2015			
18	93040221A	SEAL, OIL 35X52X7	2	08/02/2016			
19	71312051A	INNER SPACER	1	04/11/2015			
20	7131A371AA	SPACER	1	04/11/2015			
21	70010591A	WHEEL RUNNER BUSH	6	13/01/2016			
22	82114741AA	SPRING DRIVE FIXING BUSH	6	19/01/2016			
23	16024321A	DRUM, SPROCKET MOUNTING ASSY	1	19/01/2016			
24	70240381A	BEARING, 35X62X14	2	21/04/2015			
25	71311841A	INNER SPACER	1	21/04/2015			
26	88440061A	CIRCLIP	1	21/04/2015			
27	49411761AB	REAR SPROCKET T43	1	19/01/2016			
28	7131A361AA	FINAL SPROKET SLEEVE	1	04/11/2015			
29	74810461A	NUT, FLANGE M10X1	6	19/01/2016			
30	77550213C	SCREW TBEI M6X16	2	09/02/2015			
31	4601D351B	CHAIN PINION COVER	1	23/04/2015			
32	67641111A	CHAIN 114+1	1	09/02/2015			
33	67740241A	CHAIN LINK	1	10/11/2015			
34	67621011A	FINAL DRIVE KIT	1				
35	16220571AB	HUB, REAR WHEEL (Unit)	1	13/01/2016			



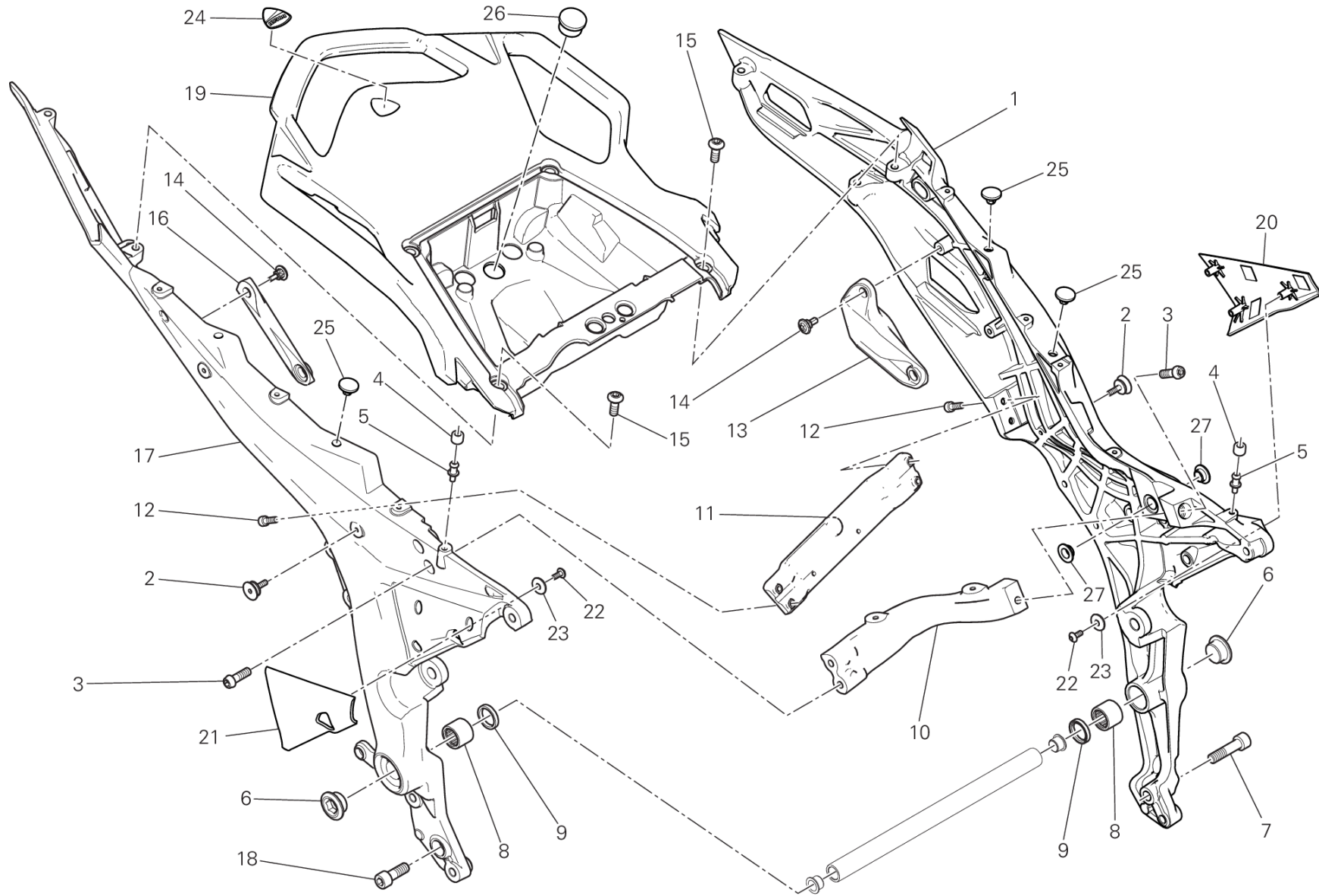
TEL00969

DRAWING 026 - WHEELS [MOD:MS1200E]

GROUP FRAME



POS.	CODE	DESCRIPTION	QTY	START DATE	END DATE	VALIDITY	NOTES
36	93040391A	SEAL RING 40X55X7	2	13/01/2016			
37	70250681A	BEARING	2	13/01/2016			
38	71413441A	INNER SPACER	1	13/01/2016			
39	49610061A	SPOKE	40	13/01/2016			



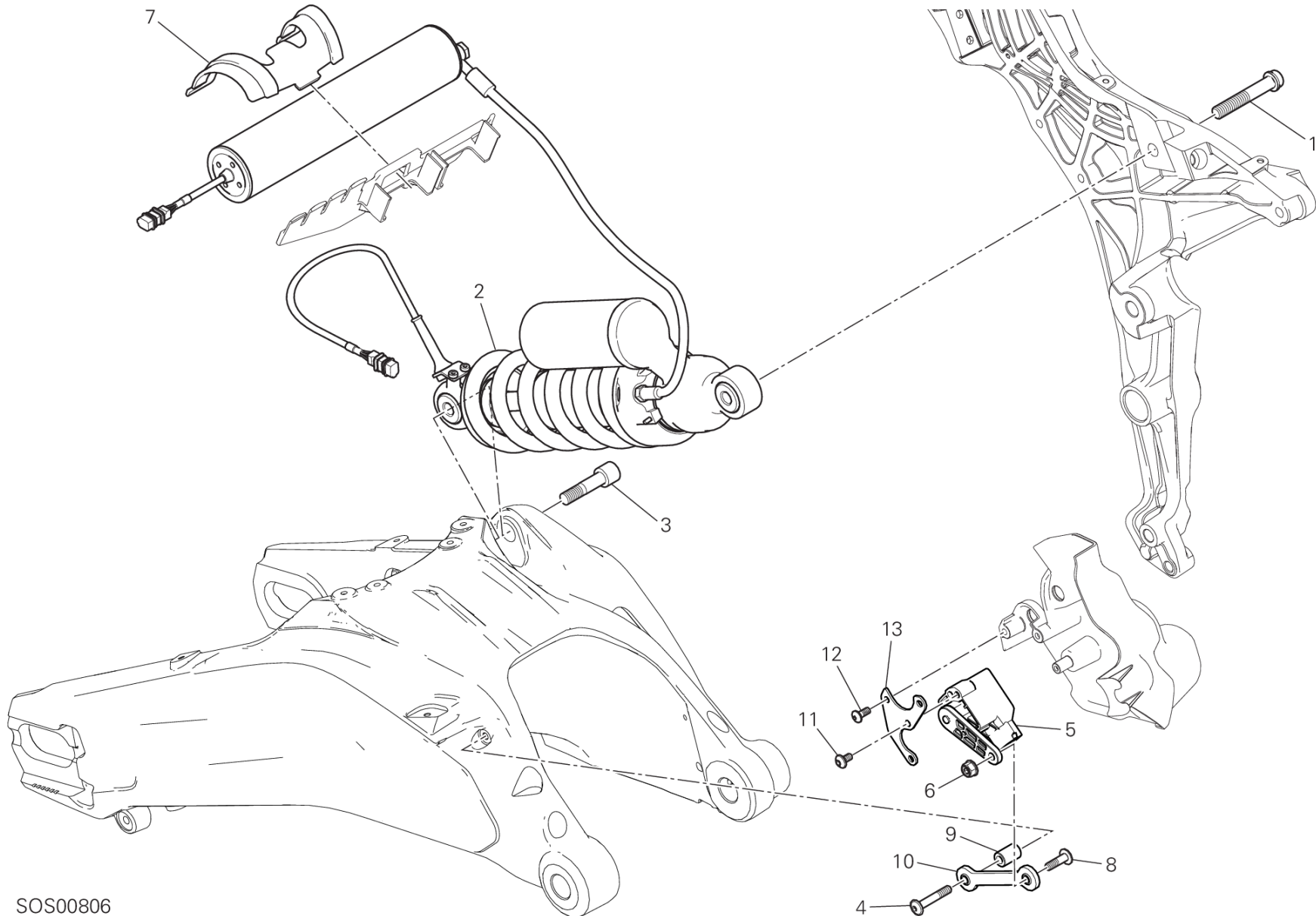
TEL00970

DRAWING 027 - REAR FRAME COMP. [MOD:MS1200E]

GROUP FRAME



POS.	CODE	DESCRIPTION	QTY	START DATE	END DATE	VALIDITY	NOTES
1	47110811AA	REAR FRAME L.H.	1	30/11/2015			
2	77919221AA	SCREW, SPECIAL	2	10/11/2014			
3	77157258B	SCREW TCEIF M8X25	3	01/10/2014			
4	76412071A	RUBBER PAD	2	10/11/2014			
5	77919171AA	SCREW, SPECIAL	2	10/11/2014			
6	87311391AA	THREADED PLUG	2	10/11/2014			
7	77151588B	SCREW	1	24/12/2009			
8	70140491A	BEARING, NEEDLE	2	13/11/2014			
9	93041271A	SEAL RING 20X26X4	2	13/11/2014			
10	83019391AA	BRACKET FRONT	1	10/11/2014			
11	83019381AA	BRACKET	1	10/11/2014			
12	77150668B	SCREW TCEI M6X18	4	10/11/2014			
13	8291D813A	BRACKET, FRONT LEFT PANNIER	1	30/03/2015			
14	77211071B	SCREW, SPECIAL	4	13/11/2014			
15	77211082B	SCREW, SPECIAL	6	19/11/2014			
16	8291D803A	BRACKET, FRONT RIGHT PANNIER	1	30/03/2015			
17	47110521CA	REAR FRAME R.H.	1	13/11/2014			
18	77151558B	SCREW	1	10/11/2014			
19	55910171A	PILLION RIDER GRIP REAR	1	10/02/2016			
20	4601D072A	HEAT GUARD L.H.	1	30/03/2015			
21	4601D062A	HEAT GUARD R.H.	1	30/03/2015			
22	77440251A	SCREW	6	30/03/2015			
23	85213751AA	WASHER	6	30/03/2015			
24	43819301A	STICKER DUCATI	1	10/11/2014			
25	86612111A	CUSHION, SEAT	4	30/03/2015			
26	87210081A	PLUG	1	08/06/2015			
27	71116441AA	BUSH WITH COLLAR	2	30/11/2015			



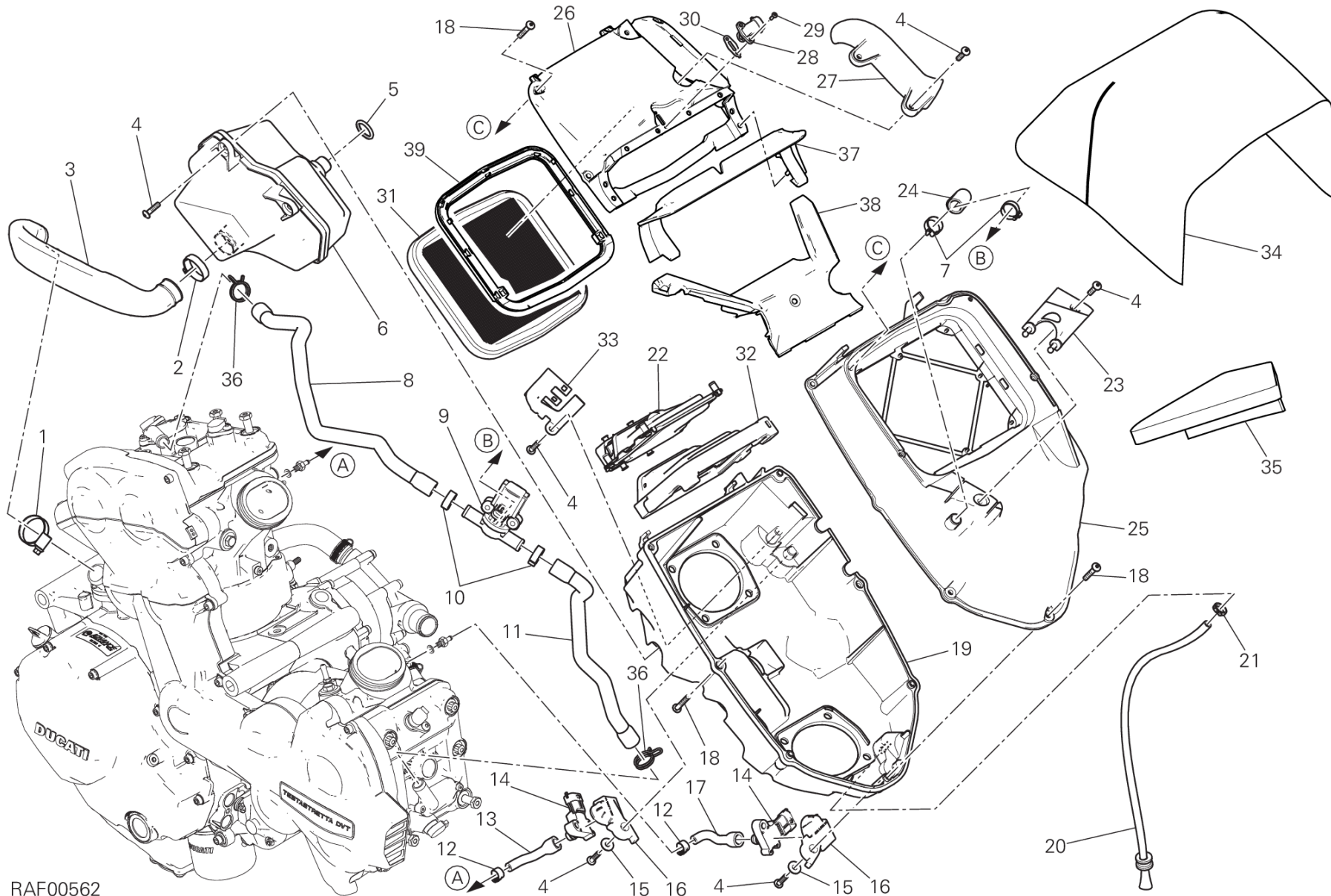
SOS00806

DRAWING 028 - REAR SHOCK ABSORBER [MOD:MS1200E]

GROUP FRAME



POS.	CODE	DESCRIPTION	QTY	START DATE	END DATE	VALIDITY	NOTES
1	7725170BZ	SCREW	1	28/04/2015			
2	36521463A	REAR SHOCK ABSORBER	1	09/02/2015			
3	77915041A	SCREW, SPECIAL	1	08/05/2013			
4	77240493C	SCREW	1	04/11/2015			
5	55243241A	DETECTOR SWING ARM	1	30/03/2015			
6	74941118B	NUT 6MM	1	10/11/2014			
7	83019221A	BRACKET	1	07/11/2014			
8	77240443C	SCREW	1	10/11/2014			
9	7131B851AA	SPACER	1	04/11/2015			
10	84810371A	SMALL LINK	1	08/06/2015			
11	77244168B	SCREW	2	13/11/2014			
12	77440171A	SCREW	2	13/11/2014			
13	8291D772AA	HOLDER SENSOR	1	13/11/2014			



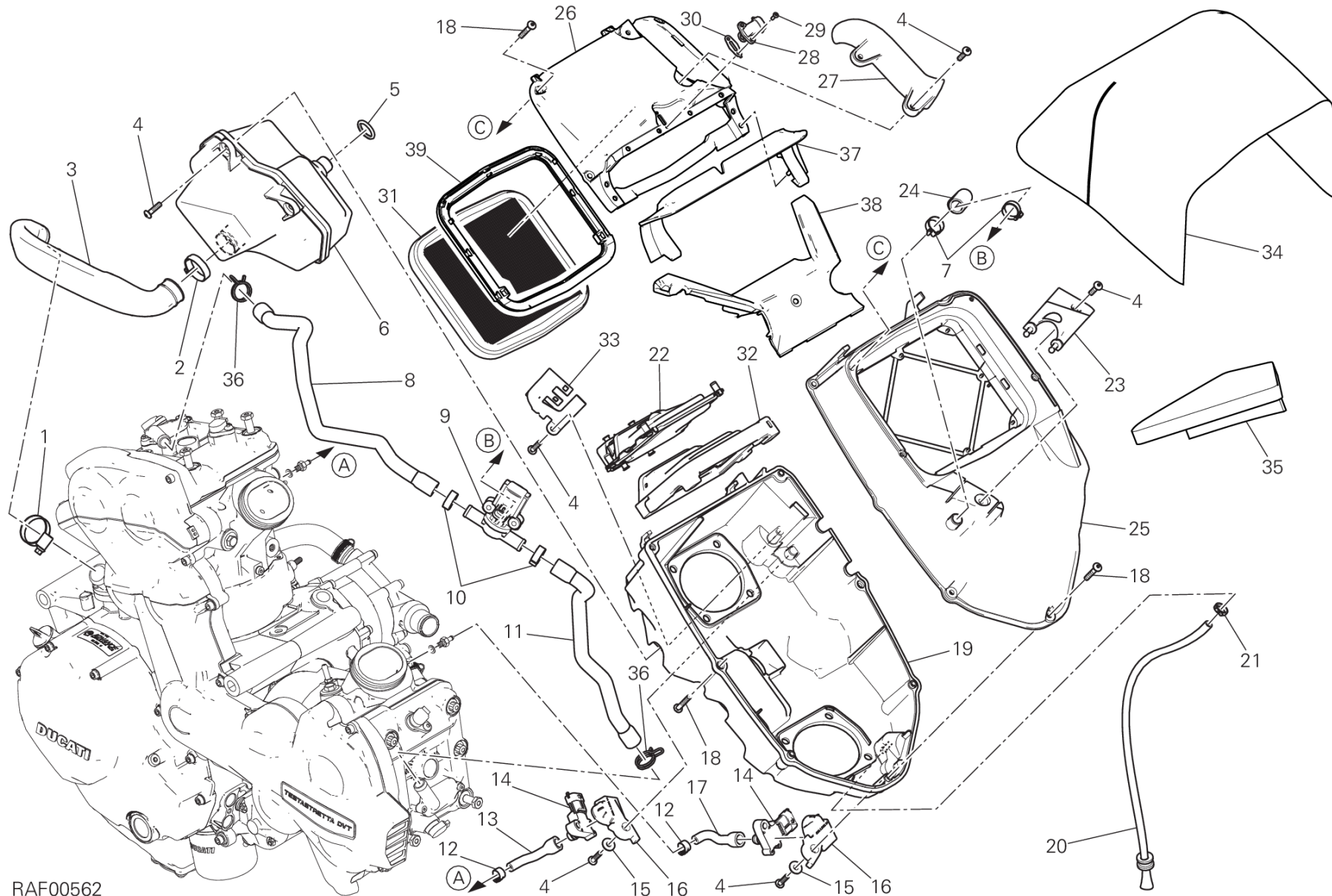
RAF00562

DRAWING 029 - INTAKE [MOD:MS1200E]

GROUP FRAME



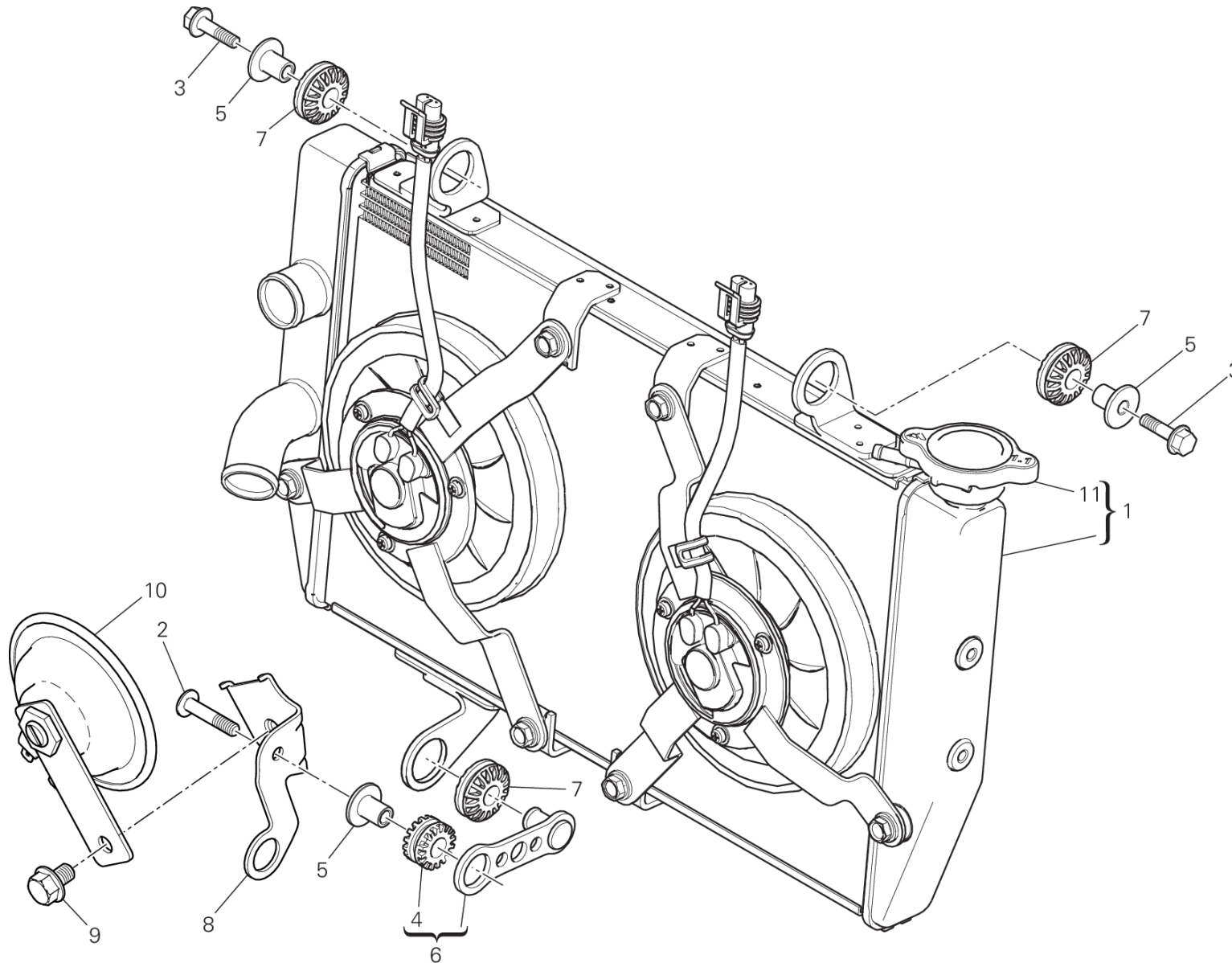
POS.	CODE	DESCRIPTION	QTY	START DATE	END DATE	VALIDITY	NOTES
1	74141861A	CLAMP 20-32 MM	1	10/11/2014			
2	74141651A	CLAMP	1	10/11/2014			
3	87611291A	HOSE, BLOW-BY	1	10/11/2014			
4	77440321A	SCREW	8	07/11/2014			
5	88640891A	O-RING 18.64X3.53	1	10/11/2014			
6	58510921A	BREATHER TANK	1	10/11/2014			
7	74142371A	CLAMP	2	10/11/2014			
8	87611311A	DUCT, AIR	1	18/09/2014			
9	65540081A	ACTUATOR	1	18/09/2014			
10	74142401A	CLAMP	2	18/09/2014			
11	87611321A	DUCT, AIR	1	18/09/2014			
12	74141711A	CLAMP 10-7 MM	2	07/11/2014			
13	59017931A	PIPE	1	07/11/2014			
14	55243161B	SENSOR, PRESSURE	2	07/11/2014			
15	85250311A	WASHER 5.3X15X1.2	2	10/11/2014			
16	8291D521A	MOUNT RUBBER	2	07/11/2014			
17	59017941A	PIPE	1	07/11/2014			
18	77440121A	SCREW	11	10/11/2014			
19	44217742A	LOWER FILTER BOX	1	10/11/2014			
20	59018141A	HOSE, DRAIN AIRBOX	1	10/01/2015			
21	74140651A	CLAMP	1	10/11/2014			
22	28642721A	ENGINE CONTROL UNIT	1	01/02/2016	20/04/2016	XST:AUS,EUR	AUS-BRA-EUR-THA-TWN
	28642721E	ENGINE CONTROL UNIT	1	01/02/2016		XST:FRA	FRA
	28642721F	ENGINE CONTROL UNIT	1	01/02/2016		XST:JAP	JAP
	28642721J	ENGINE CONTROL UNIT	1	01/02/2016		XST:ROK	ROK
23	8291D511A	HOLDER	1	10/11/2014			
24	87611301A	PIPE	1	10/11/2014			
25	44217731A	AIR FILTER BOX UPPER	1	10/11/2014			
26	24715541A	COVER AIR BOX , UPPER	1	10/12/2015			
27	24714951A	COVER, WIRE HARNESS	1	10/11/2014			
28	55240121A	SENSOR, AIR TEMPERATURE	1	22/01/2015			
29	77440183C	SCREW	2	22/01/2015			
30	78811041A	GASKET, COOLING WATER SENSOR	1	22/01/2015			
31	42610341B	FILTER, AIR	1	01/02/2016			
32	86611931A	BRACKET	1	07/11/2014			



RAF00562



POS.	CODE	DESCRIPTION	QTY	START DATE	END DATE	VALIDITY	NOTES
33	83019941AA	BRACKET, CONNECTOR	1	10/11/2014			
34	48610992A	COVER	1	15/04/2015			
35	48611081A	DAMPER, SOUND ARRESTER	1	10/01/2015			
36	74142251A	CLAMP	2	10/01/2015			
37	78811581A	GASKET	1	10/12/2015			
38	78811591A	GUARNIZIONE AIRBOX - SERBATOIO	1	01/02/2016			
39	7131B841A	SPACER	1	07/01/2016			



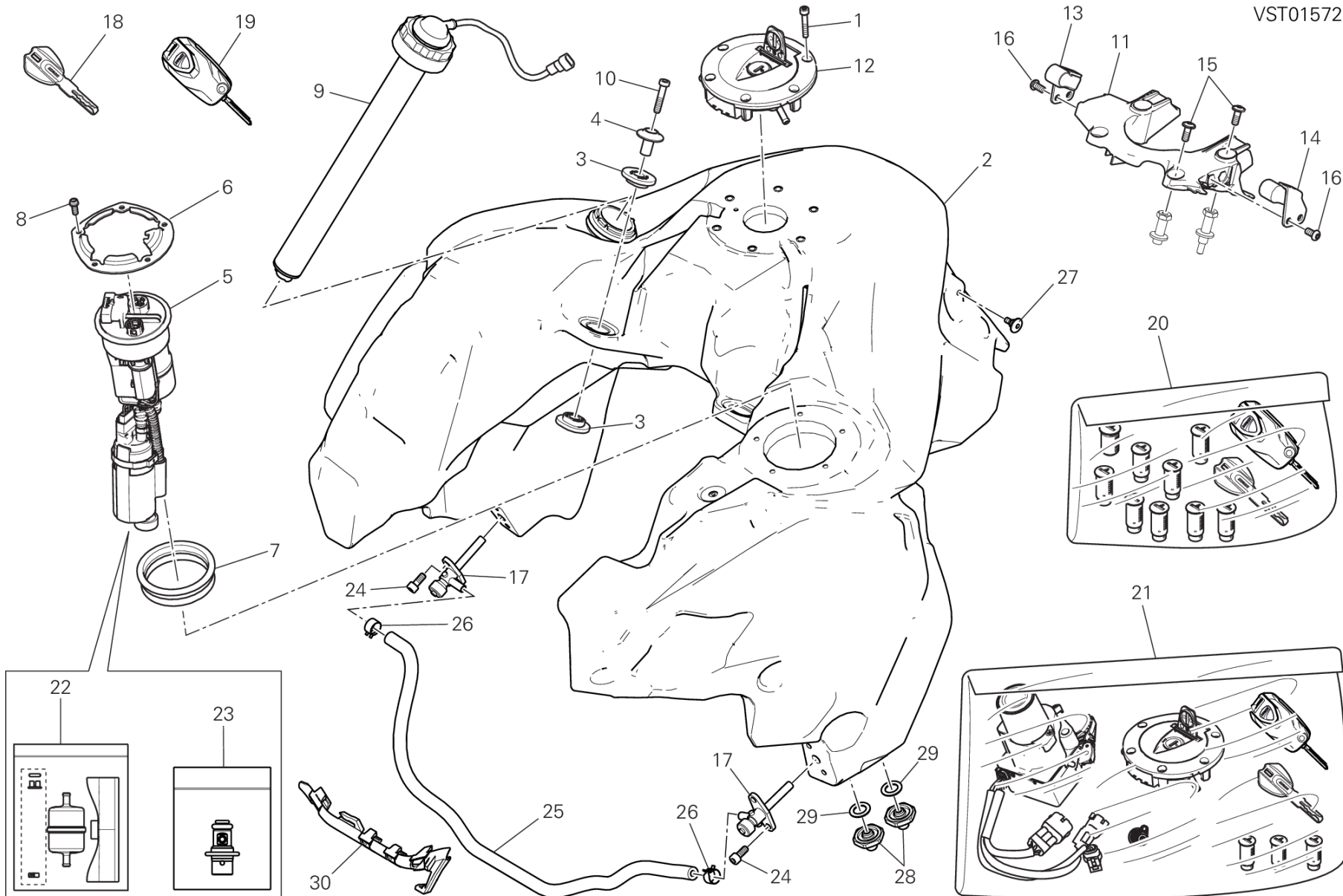
RAF00561

DRAWING 030 - WATER COOLER [MOD:MS1200E]

GROUP FRAME



POS.	CODE	DESCRIPTION	QTY	START DATE	END DATE	VALIDITY	NOTES
1	54810562A	WATER COOLER	1	10/11/2014			
2	77240483C	SCREW	1	07/11/2014			
3	77250121B	SCREW TEF M6X22	2	08/05/2013			
4	76410241A	VIBRATION DAMPER PAD	1	24/12/2009			
5	71614191A	SPACER	3	08/05/2013			
6	83024041A	HOLDER	1	08/05/2013			
7	76411361A	VIBRATION DAMPER PAD	3	08/05/2013			
8	8301D891AA	BRACKET, HORN	1	09/02/2015			
9	77211341A	SCREW	1	07/11/2014			
10	51640011AB	HORN	1	07/11/2014			
11	87241051A	CAP, RADIATOR	1	15/05/2015			



DRAWING 032 - FUEL TANK [MOD:MS1200E]

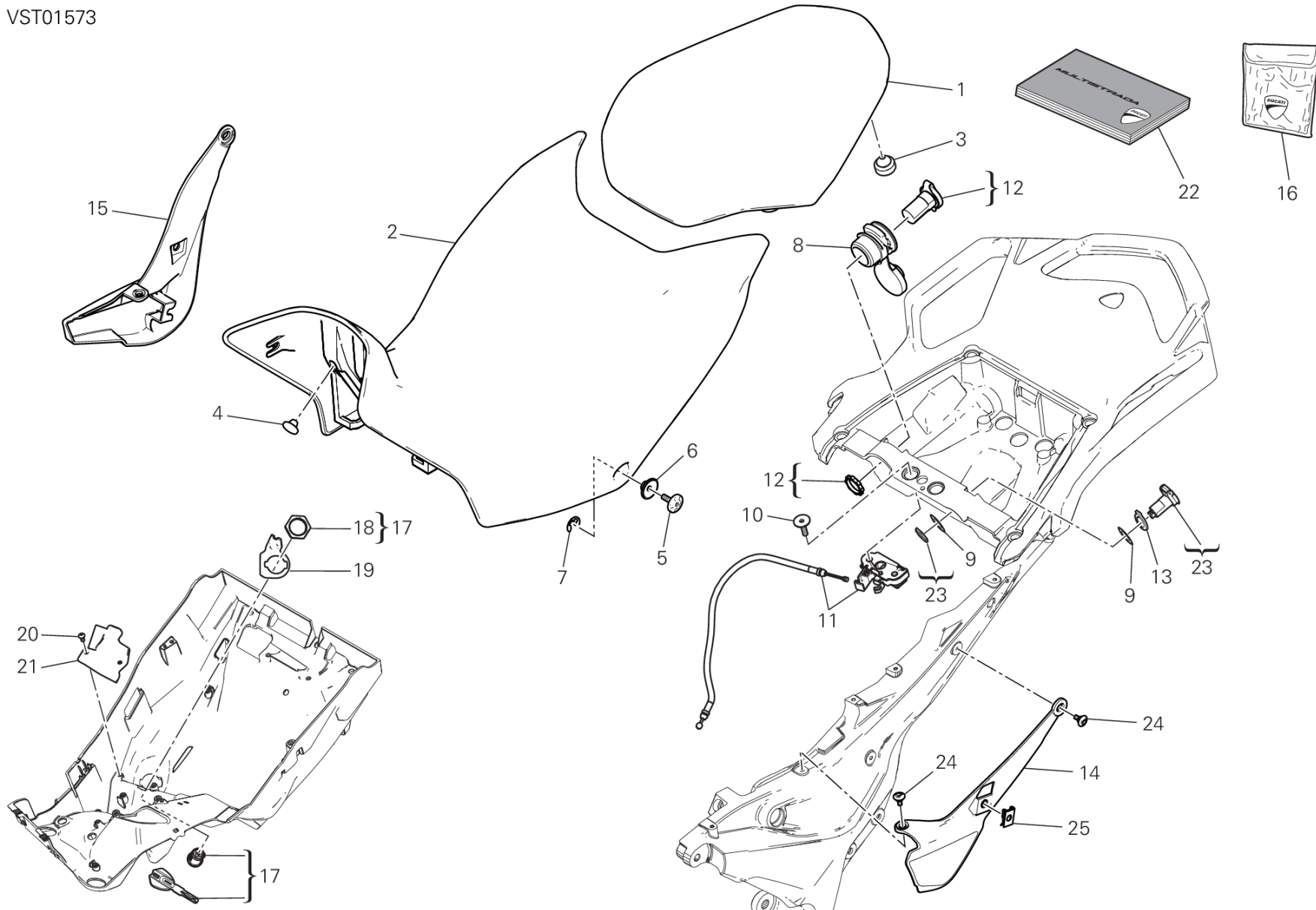
GROUP FRAME



POS.	CODE	DESCRIPTION	QTY	START DATE	END DATE	VALIDITY	NOTES
1	77150478B	SCREW TCEI M5X30	6	01/10/2014			
2	58612431A	FUEL TANK	1	14/07/2015		XST:AUS,EUR,FRA,JAP,ROK	
3	86611091A	PAD	4	10/11/2014			
4	71319181A	SPACER	2	10/11/2014			
5	16024331A	FUEL PUMP	1	14/07/2015			
6	16014853A	BRACKET FUEL PUMP	1	17/12/2014			
7	79111131B	GASKET FUEL PUMP	1	17/12/2014			
8	77150388B	SCREW TCEI M5X10	5	14/07/2015			
9	59210221C	FUEL LEVEL GAUGE	1	14/07/2015			
10	77156728B	SCREW TCEIF M6X35	2	13/03/2015			
11	8291D823A	BRACKET, FUEL TANK REAR	1	10/11/2014			
12	89510431B	CAP SET, FUEL TANK	1	17/02/2015			
13	82717481A	RIGHT PLATE	1	10/11/2014			
14	82717471A	LEFT PLATE	1	10/11/2014			
15	71850338C	SCREW	4	10/11/2014			
16	72050318C	SCREW	4	10/11/2014			
17	58840231A	FUEL COCK	2	14/07/2015			
18	59840311B	WRENCH WITH TRANSPONDER PASSIVE	1	17/02/2015			
19	59810321B	WRENCH WITH TRANSPONDER ACTIVE	1	17/02/2015			
20	59821881A	ROTORS WRENCH KIT	1	17/11/2015			
21	59821861A	HANDS FREE 868 MHZ KIT	1	22/01/2016		XST:AUS,EUR,FRA,ROK	
	59821911A	KIT HANDS FREE 315 MHZ	1	17/02/2016		XST:JAP	JAP
24	77150648B	SCREW TCEI M6X14	4	14/07/2015			
25	59018201B	PIPE	1	04/11/2015			
26	74142631A	SPRING,COIL,BLACK	2	04/11/2015			
27	77915461A	SCREW TBEI M5X13.5	2	04/11/2015			
28	75012022AA	NUT, SPECIAL	2	14/07/2015			
29	88642591A	O-RING	2	14/07/2015			
30	75811111A	HOLDER	1	04/11/2015			



VST01573

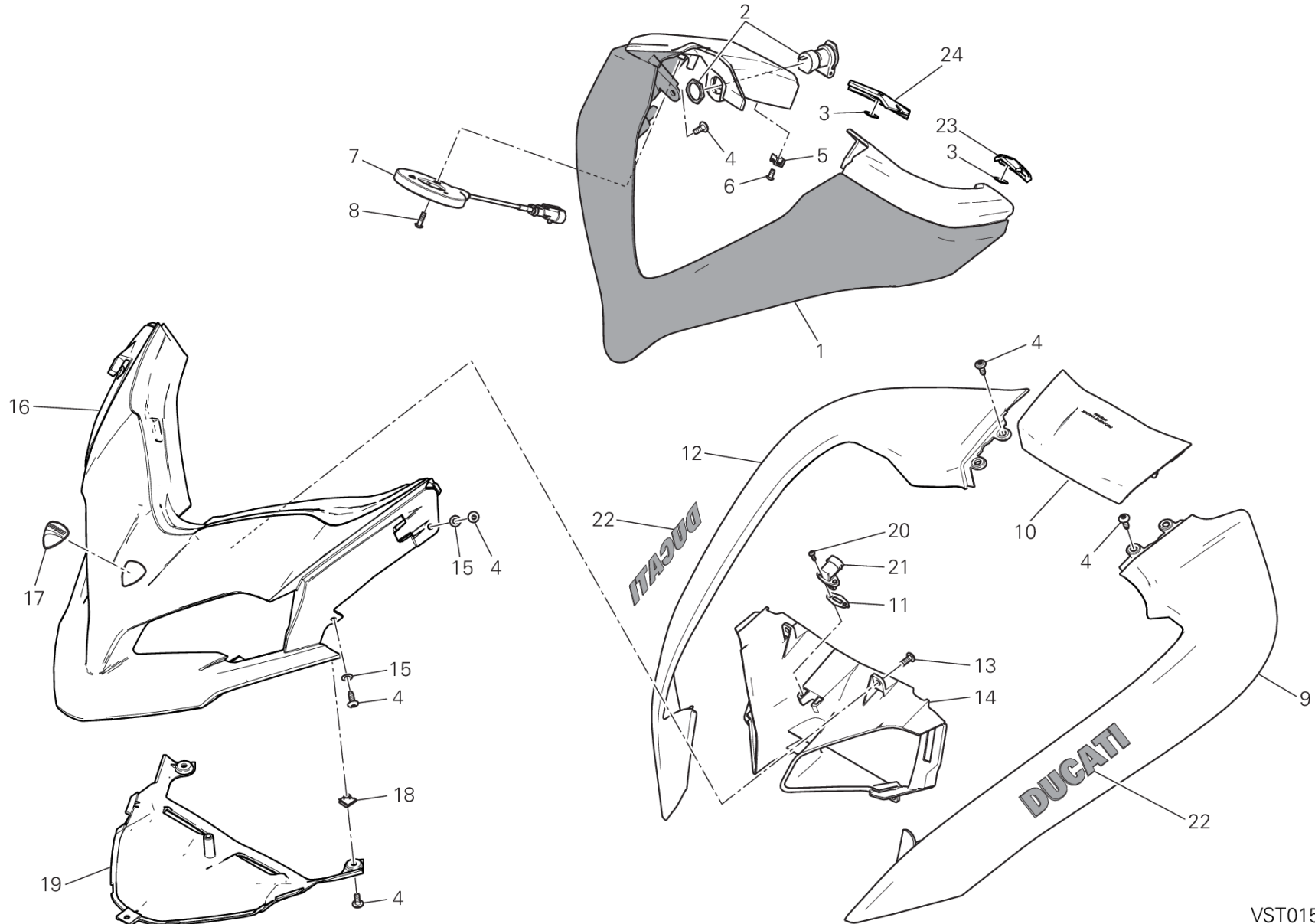


DRAWING 033 - SEAT [MOD:MS1200E]

GROUP FRAME



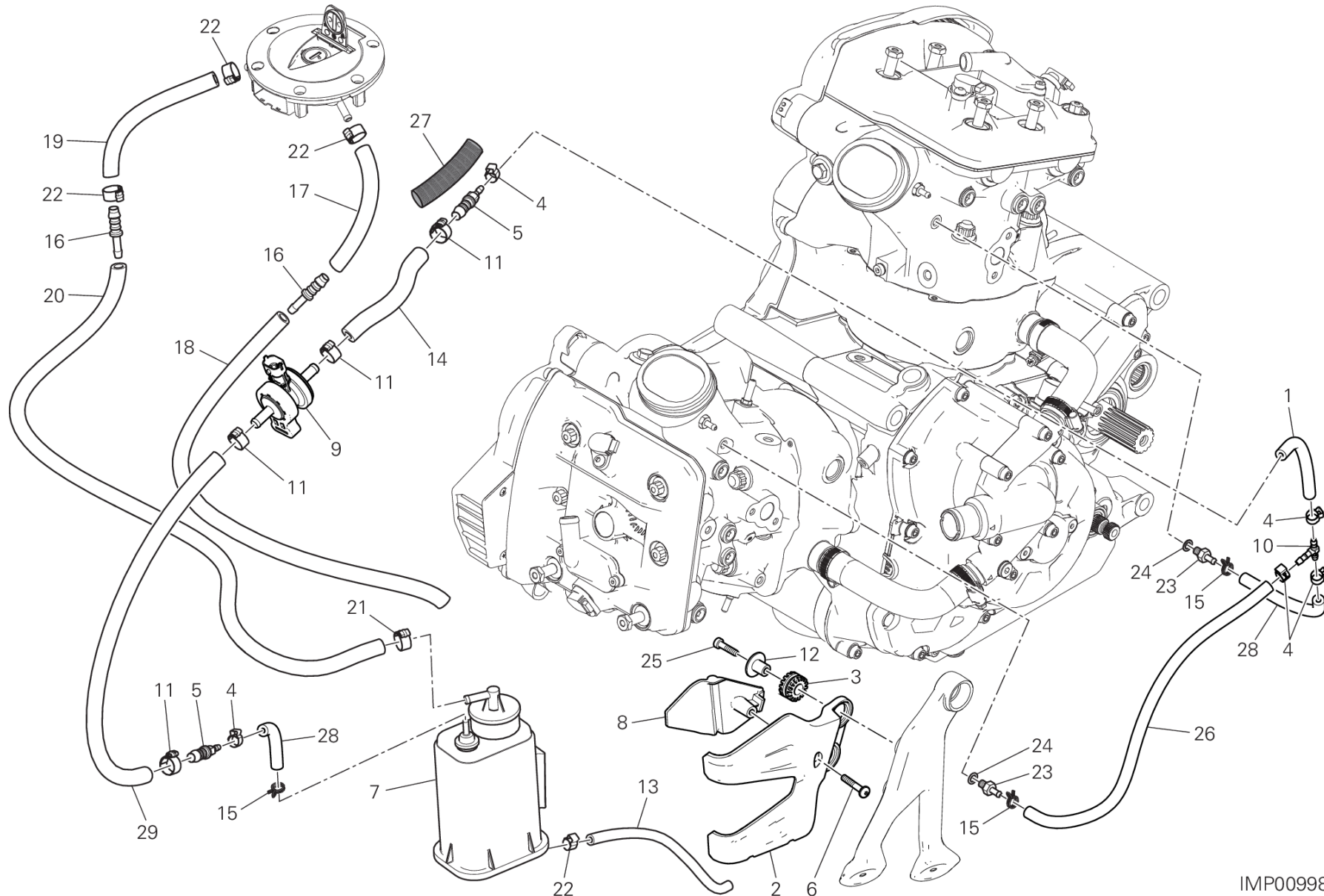
POS.	CODE	DESCRIPTION	QTY	START DATE	END DATE	VALIDITY	NOTES
1	59513021AB	PILLION RIDER SEAT	1	09/02/2015			
2	59512991BB	SEAT	1	09/02/2015		XST:AUS,EUR,FRA	AUS-BRA-CAL-CDN-EUR-FRA
	59513001BB	SEAT LOW	1	09/02/2015		XST:JAP,ROK	JAP-ROK-TWN
3	86610611A	RUBBER PAD	6	09/02/2015			
4	86612111A	CUSHION, SEAT	2	09/02/2015			
5	77919851BA	SCREW, SPECIAL	2	09/02/2015			
6	71615241BA	SPACER	2	09/02/2015			
7	88450391A	CIRCLIP	2	09/02/2015			
8	76412261A	HOLDER	1	11/11/2014			
9	85213761A	WASHER	2	11/11/2014			
10	77914982B	SCREW, SPECIAL	2	10/11/2014			
11	59810241A	LOCK LATCH	1	03/02/2016			
12	38640561B	SOCKET, LOW VOLTAGE (USB)	1	07/05/2015			
13	71319331A	SPACER	1	11/11/2014			
14	48212182A	COVER , FRAME LH	1	09/02/2015			
15	48212172A	COVER , FRAME RH	1	09/02/2015			
16	69720341A	TOOL BAG	1	10/02/2016			
17	59840271A	SEAT LOCK	1	16/03/2011			
18	75011551A	NUT M22X1.5	1	16/03/2015			
19	82714821A	PLATE	1	16/03/2015			
20	77440141A	SCREW, TAPPING 4X8 WN1412	2	16/03/2015			
21	83019951A	BRACKET	1	16/03/2015			
22	91373101A	OWNER'S MANUAL	1	01/10/2012		XST:AUS,EUR,FRA	IT-GB-FR-DE
	91373101B	OWNER'S MANUAL	1	01/10/2012		XST:EUR,FRA,JAP	GB-ES-FR-JP
	91373101C	OWNER'S MANUAL	1			XST:EUR	ES-PT-GR
	91373101D	OWNER'S MANUAL	1			XST:EUR,ROK	FR-NL-KR-GB
	91373101E	OWNER'S MANUAL	1			XST:EUR	SE-FI-DK-NO
	91373101F	OWNER'S MANUAL	1			XST:EUR	PL-CZ-SK-SL
	91373101G	OWNER'S MANUAL	1			XST:EUR	HU-RO-BG-RU
23	38640132A	SOCKET, LOW VOLTAGE	1	11/11/2014			
24	77210853B	SCREW	4	09/02/2015			
25	85040381A	QUICK FASTENING	2	09/02/2015			



VST01574



POS.	CODE	DESCRIPTION	QTY	START DATE	END DATE	VALIDITY	NOTES
1	48113481BA	COWLING RED	1	10/11/2014			
	48113481BS	FRONT COWLING MATT GRAY	1	09/02/2015			
	48113481BW	COWLING WHITE	1	09/02/2015			
2	38640132A	SOCKET, LOW VOLTAGE	1	07/11/2014			
3	85640151A	ROUND QUICK LOCK	2	15/01/2015			
4	77211091C	SCREW	13	10/11/2014			
5	85041711A	HOSE GUIDE	1	07/11/2014			
6	77440141A	SCREW, TAPPING 4X8 WN1412	1	07/11/2014			
7	51840091A	COIL ANTENNA, IMMOBILIZER	1	27/03/2015			
8	77440251A	SCREW	3	07/11/2014			
9	48016922A	COVER, RADIATOR, LH	1	15/04/2015			
10	48016971A	COVER HANDSFREE	1	10/11/2014			
11	78811041A	GASKET, COOLING WATER SENSOR	1	10/11/2014			
12	48016912A	COVER, RADIATOR, RH	1	15/04/2015			
13	77440171A	SCREW	4	10/11/2014			
14	48016942A	BAFFLE	1	10/01/2015			
15	85611361A	WASHER	4	10/11/2014			
16	48017761A	AIR CONVEYOR UPPER	1	09/02/2015			
17	43819301A	STICKER DUCATI	1	27/02/2015			
18	85040471A	QUICK FASTENING M5	3	10/11/2014			
19	48017751A	LOWER PANEL	1	09/02/2015			
20	77440183C	SCREW	2	10/01/2015			
21	55240121A	SENSOR, AIR TEMPERATURE	1	07/11/2014			
22	43513501A	EMBLEM DUCATI	2	10/11/2014			
23	86612121A	LEFT PAD	1	15/01/2015			
24	86612131A	RIGHT PAD	1	15/01/2015			



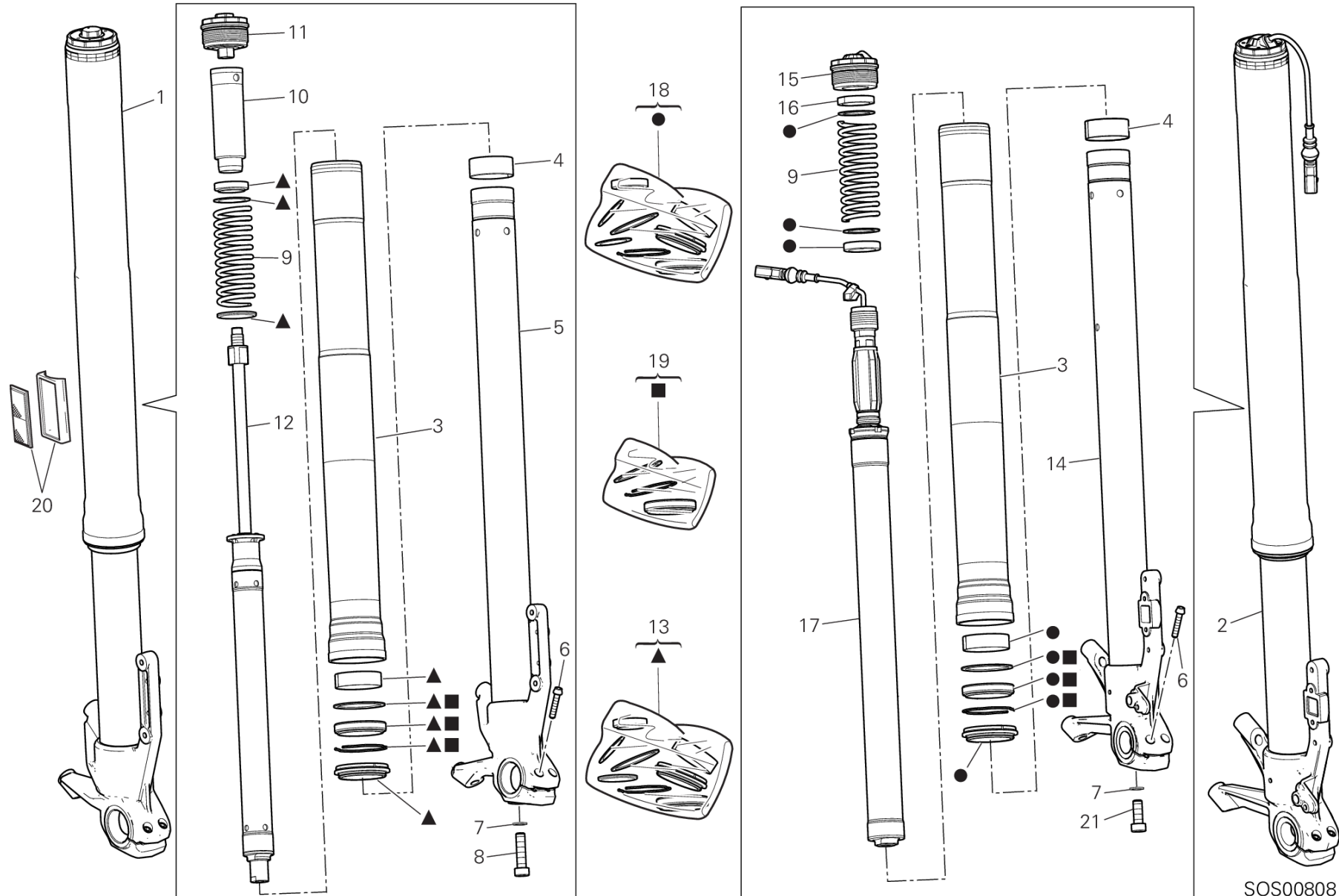
IMP00998

DRAWING 036 - CANISTER FILTER [MOD:MS1200E]

GROUP FRAME



POS.	CODE	DESCRIPTION	QTY	START DATE	END DATE	VALIDITY	NOTES
1	59018051A	PIPE	1				
2	8291F331A	COVER	1	06/11/2015			
3	76410241A	VIBRATION DAMPER PAD	2	21/10/2014			
4	74140581A	CLAMP	6	18/09/2014			
5	81441021A	UNION	2	18/09/2014			
6	77440121A	SCREW	1	06/11/2015			
7	42610351A	CANISTER FILTER	1	19/02/2015			
8	80812191A	CLAMP	1	06/11/2015			
9	65540101A	VALVE, BREATHER	1	18/09/2014			
10	81411831A	THREE-WAYS UNION	1	18/09/2014			
11	74140641A	CLAMP	4	07/10/2014			
12	71614511AA	SPACER	2	06/11/2015			
13	59017831A	BREATHER PIPE	1	19/02/2015			
14	59018091A	PIPE	1	18/09/2014			
15	74140431A	CLAMP	3	18/09/2014			
16	81415801A	UNION	2	19/02/2015			
17	59018061A	HOSE, DRAIN SHORT	1	19/02/2015			
18	59018111A	HOSE, DRAIN LONG	1	19/02/2015			
19	59018121A	HOSE SHORT	1	10/01/2015			
20	59018131A	HOSE LONG	1	10/01/2015			
21	74140571A	CLAMP	1	23/02/2015			
22	74140631A	CLAMP	4	19/02/2015			
23	81411113B	NIPPLE, HOSE	2	11/02/2015			
24	85250231A	GASKET	2	11/02/2015			
25	77354743B	SCREW TCEIR M5X20 DIN6912 8.8	2	06/11/2015			
26	59018071A	PIPE	1				
27	4601C581A	PROTECTION SHEATH	1	17/11/2014			
28	59018041A	PIPE	2	18/09/2014			
29	59018081A	PIPE	1				



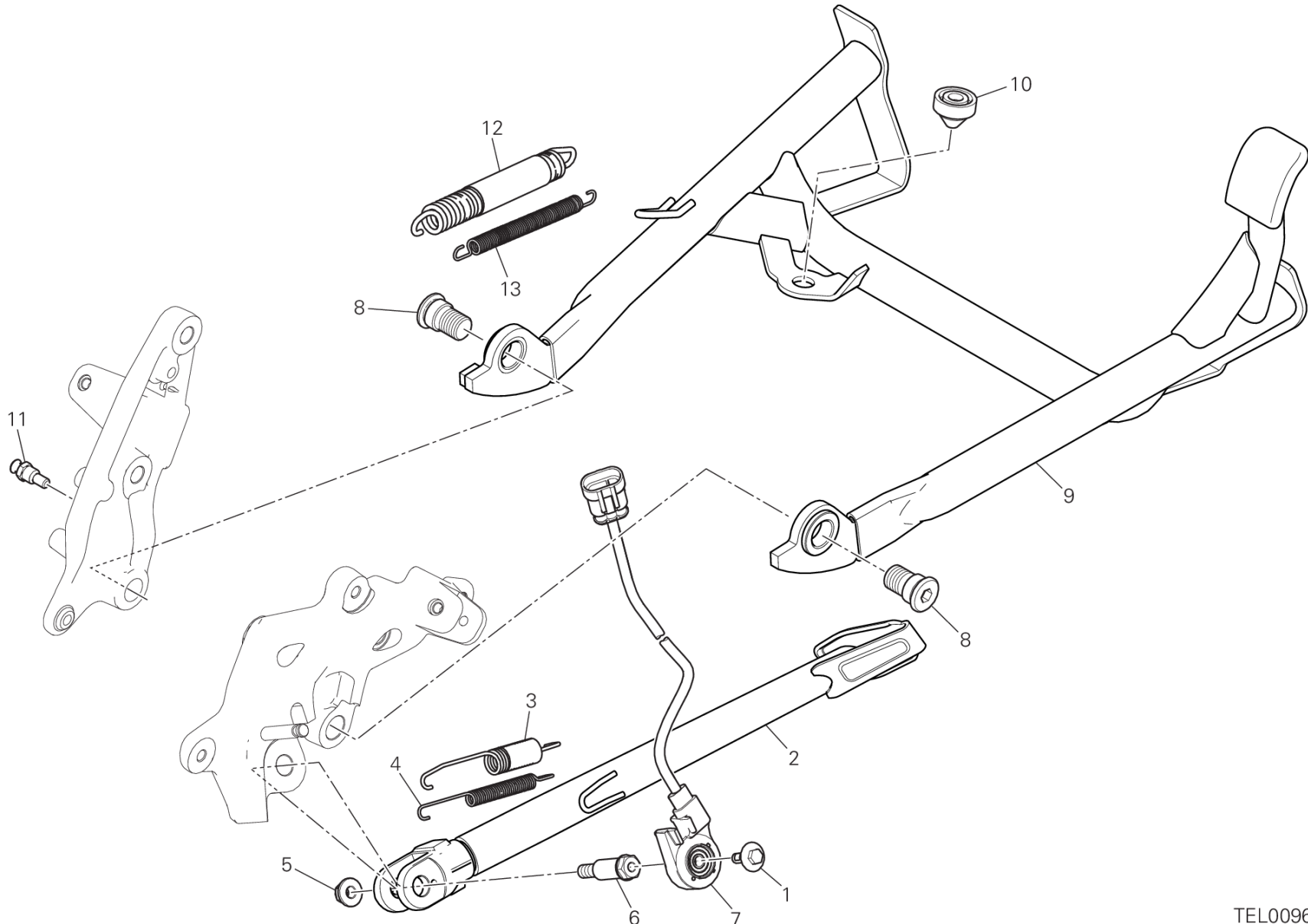
SOS00808

DRAWING 21A - FRONT FORK [MOD:MS1200E]

GROUP FRAME



POS.	CODE	DESCRIPTION	QTY	START DATE	END DATE	VALIDITY	NOTES
1	34420763A	FORK LEG ASSY, RIGHT	1	22/10/2015			
2	34520765A	FORK LEG ASSY, LEFT	1	29/01/2016			
3	34921371A	FORK OUTER TUBE	2				
4	34913871A	BUSH	2				
5	34922161A	COMPLETE RIGHT SLIDER	1				
6	34913861A	SCREW	4				
7	34913811A	WASHER	2				
8	34914661A	SCREW	1				
9	34914681A	SPRING	2				
10	34914671A	RIGHT SPACER	1				
11	34922151A	PLUG, RH	1				
12	34914651A	CYLINDER-SET-FORK, RH	1				
13	34922131A	OVERHAUL KIT FORK LEG ASSEMBLY R.H.	1				
14	34922171A	COMPLETE LEFT SLIDER	1				
15	34921361A	PLUG	1				
16	34913851A	RING NUT	1				
17	34914701A	PLUNGER	1				
18	34922181A	OVERHAUL KIT FORK LEG ASSEMBLY L.H.	1				
19	34922141A	SEAL KIT	1				
20	52910012A	REFLEX REFLECTOR AMBER	2	30/01/2015			
21	34914711A	SCREW	1				



TEL00968

DRAWING 22A - SIDE STAND [MOD:MS1200E]

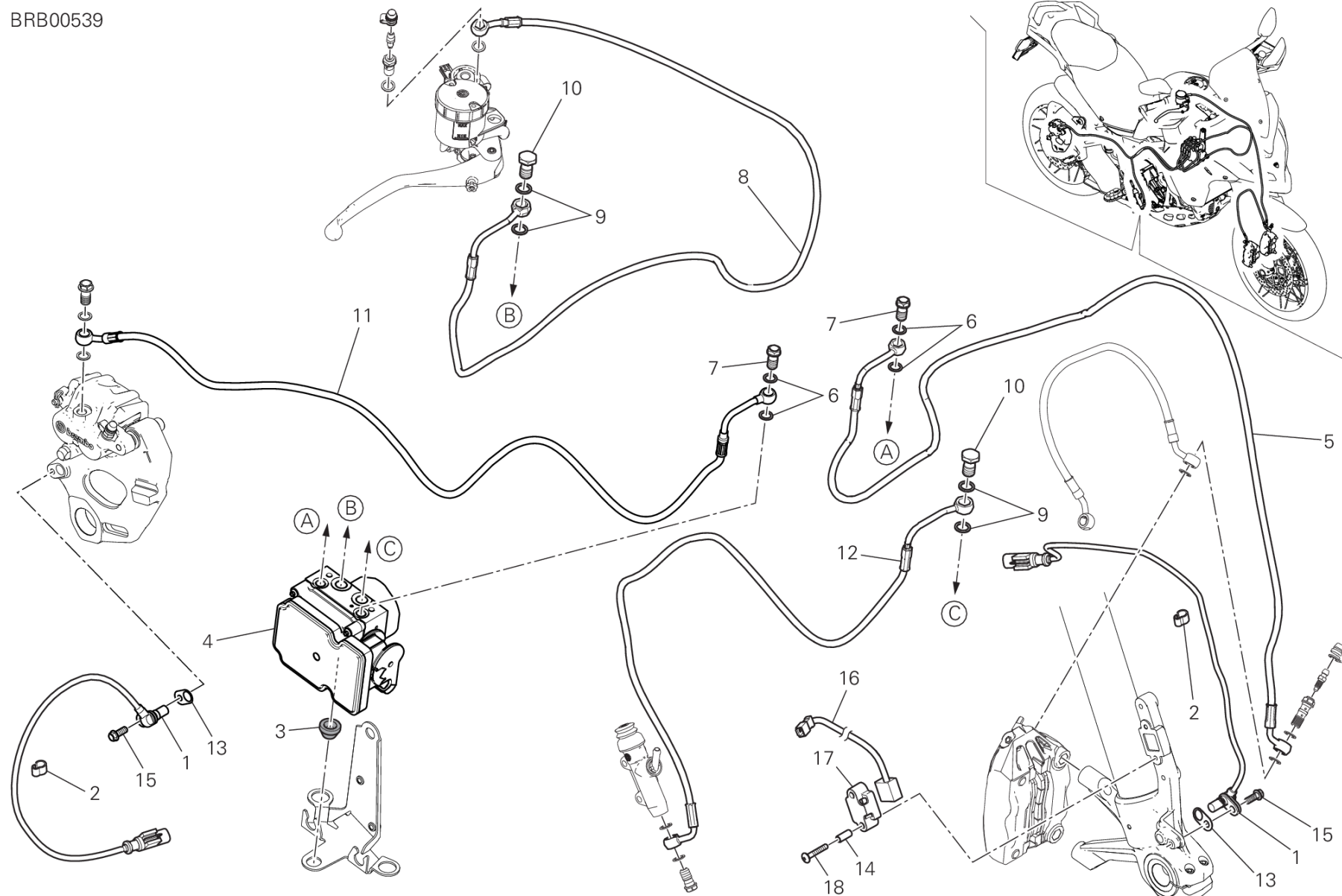
GROUP FRAME



POS.	CODE	DESCRIPTION	QTY	START DATE	END DATE	VALIDITY	NOTES
1	77917241AA	SCREW	1	02/03/2014			
2	55610891BA	SIDE STAND	1	07/10/2015			
3	79921602A	COMPLETE SPRING	1	08/05/2013			
4	79915081A	INNER SPRING	1	08/05/2013			
5	74941128B	NUT M8	1	03/12/2013			
6	82114922AA	AXLE, SIDE STAND	1	06/03/2015			
7	53910351A	SWITCH, STAND	1	06/03/2015			
8	77919891AA	SCREW, SPECIAL	2	03/06/2015			
9	55510693AA	STAND, MAIN	1	12/11/2015			
10	86611001B	PAD	1	17/11/2014			
11	82113581A	PIN	1	17/11/2014			
12	79925121B	COMPLETE SPRING	1	18/11/2014			
13	79915271A	INNER SPRING	1	18/11/2014			



BRB00539

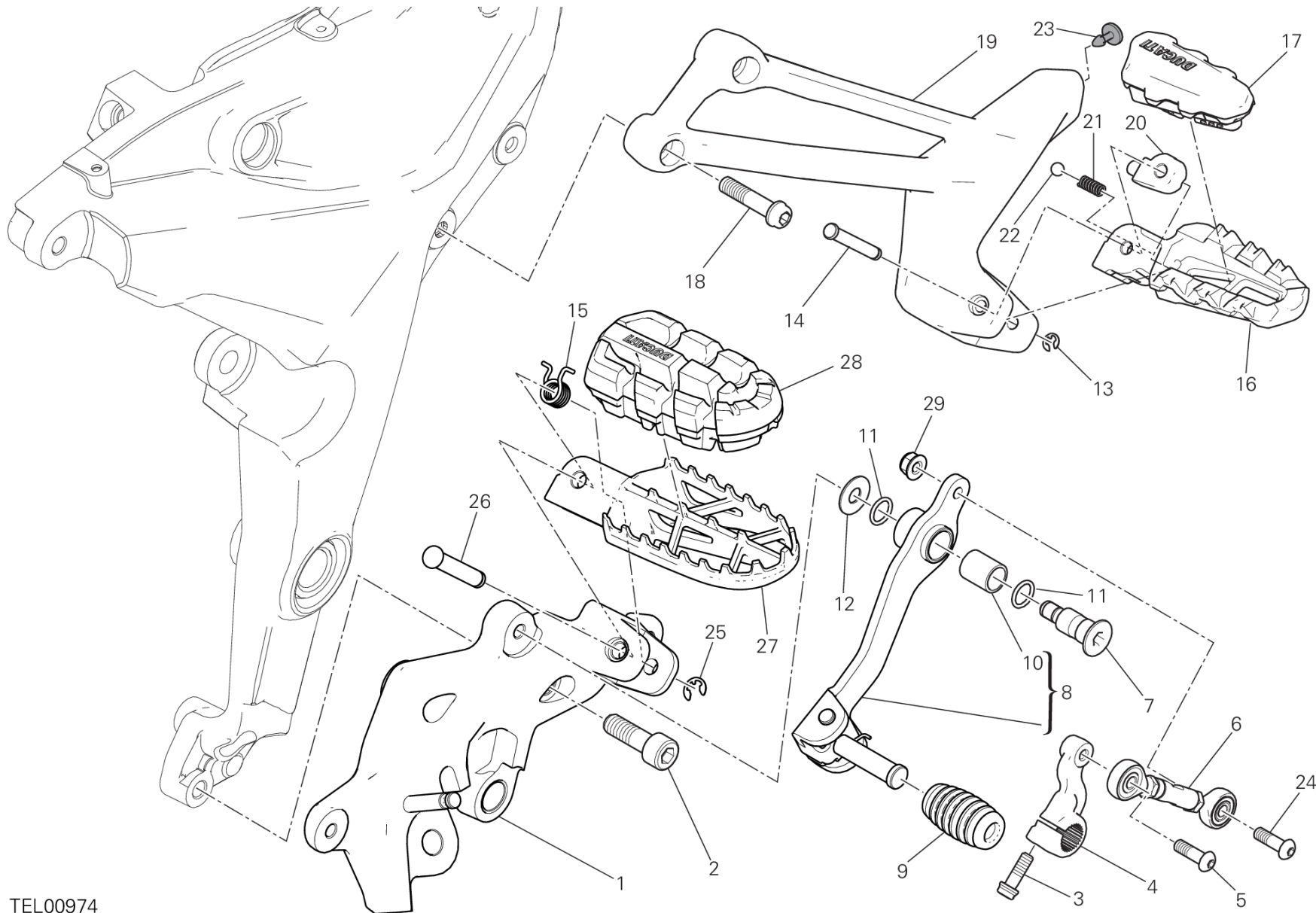


DRAWING 24A - BRAKING SYSTEM ABS [MOD:MS1200E]

GROUP FRAME



POS.	CODE	DESCRIPTION	QTY	START DATE	END DATE	VALIDITY	NOTES
1	55212111B	SENSOR, SPEED	2	09/02/2015			
2	75840601A	FAIRLEAD	15	08/05/2013			
3	86640051A	RUBBER PAD	1	08/05/2013			
4	54240471D	CONTROL UNIT ABS	1	01/02/2016			
5	61810792A	CPU - FRONT CALIPERS LINE	1	01/07/2015			
6	85250241A	WASHER 10X14X1	4	01/02/2012			
7	77913662AB	BOLT, BRAKE HOSE	2	25/09/2012			
8	61810782A	FRONT MASTER CYLINDER - CPU LINE	1	01/07/2015			
9	85250261B	GASKET, ALUMINIUM 12X16X1.5	4				
10	77913141B	SCREW, SPECIAL	2				
11	61910781C	CPU - REAR CALIPER LINE	1	01/02/2016			
12	61910791A	REAR MASTER CYLINDER - CPU LINE	1	30/04/2015			
13	71314901A	GASKET TH.02	2	08/05/2013			
	71319201A	GASKET 0.5 MM	6				
14	71114113AA	BUSH	2	29/01/2016			
15	77210601A	SCREW TEF M6X16	2	09/02/2015			
16	55214941A	ACCELEROMETER	1	09/02/2015			
17	8291A891A	BRACKET	1	09/02/2015			
18	77240343C	SCREW	2	04/11/2015			



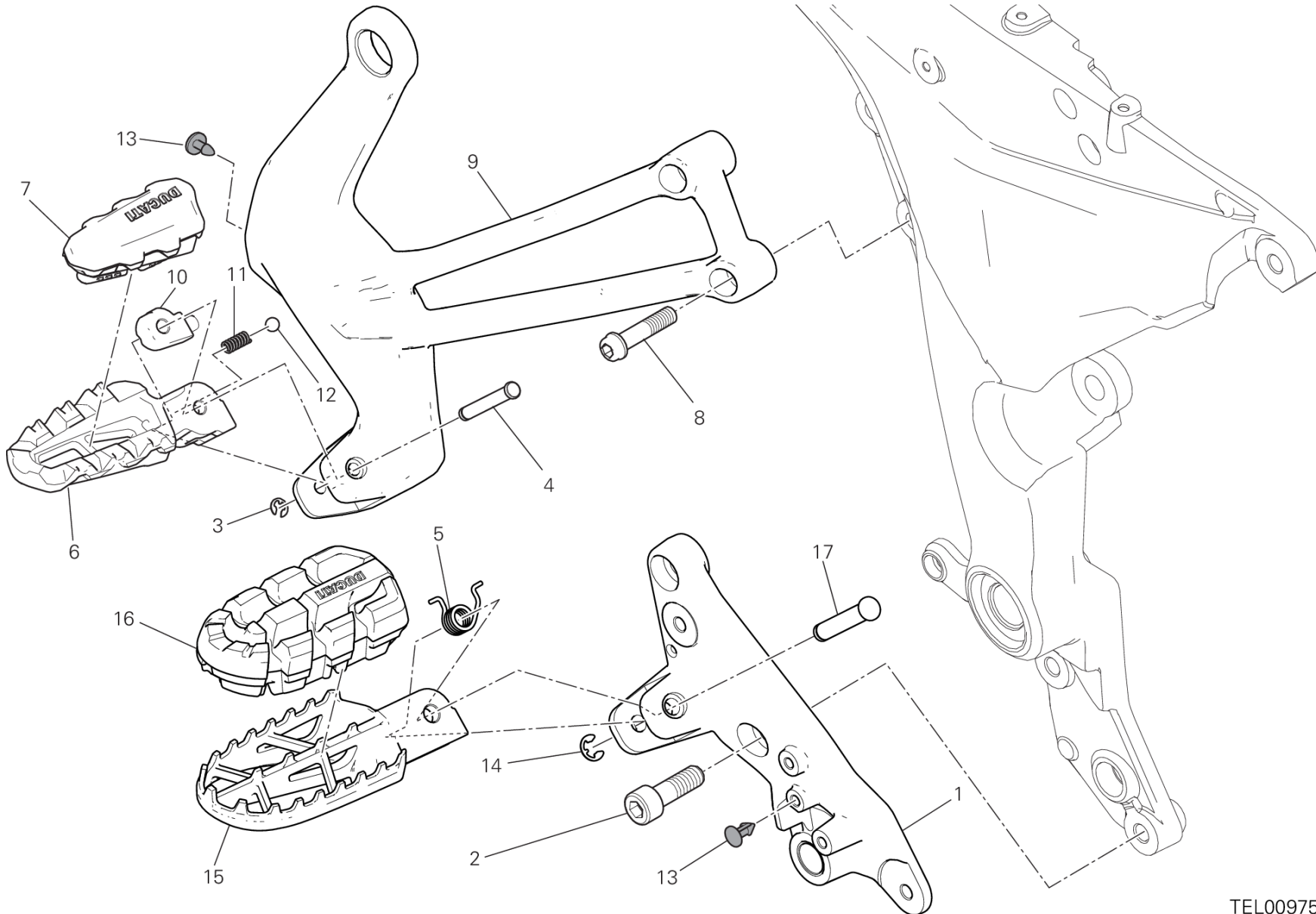
TEL00974

DRAWING 27C - FOOTRESTS, LEFT [MOD:MS1200E]

GROUP FRAME



POS.	CODE	DESCRIPTION	QTY	START DATE	END DATE	VALIDITY	NOTES
1	82422901AA	FRONT L.H. PLATE	1	07/10/2015			
2	77151568C	SCREW	2	10/11/2014			
3	77156668B	SCREW TCEIF M6X18	1	10/11/2014			
4	45612051A	GEAR CONTROL LEVER	1	06/03/2015			
5	77550271A	SCREW	1	06/03/2015			
6	84820181AA	GEARBOX DRIVING ROD	1	06/03/2015			
7	82111701CA	PIN PEDAL	1	06/03/2015			
8	45622324AA	GEARCHANGE LEVER	1	07/10/2015			
9	76510111A	RUBBER PAD	1	04/11/2015			
10	71210341A	BUSH	1	05/03/2014			
11	88641161A	O-RING	2	06/03/2015			
12	85211511A	WASHER	1	06/03/2015			
13	88450021A	SPRING RING	1	06/03/2015			
14	82115212AA	FOOTREST PIN	1	06/03/2015			
15	79916201AA	SPRING. FOOTREST	1	07/10/2015			
16	46410601AA	LEFT FOOTREST	1	06/03/2015			
17	76510031A	FOOT PEG RUBBER COVER L.H.	1	06/03/2015			
18	77157283B	SCREW TCEIF M8X35 8.8	2	10/11/2014			
19	82412631AA	REAR L.H. PLATE	1	03/04/2015			
20	69610131A	SPRING RETAINER	1	18/12/2014			
21	79910241A	SPRING	1	18/12/2014			
22	84740021A	BALL	1	18/12/2014			
23	87240561A	PLUG	2	18/12/2014			
24	77550191A	SCREW	1	07/10/2015			
25	88450851A	SPRING RING	1	07/10/2015			
26	82115301BA	FOOTREST PIN	1	07/10/2015			
27	46411031AA	FOOTREST, FRONT LH	1	07/10/2015			
28	76510131A	FOOT PEG RUBBER COVER L.H.	1	07/10/2015			
29	74941118B	NUT 6MM	1	07/10/2015			



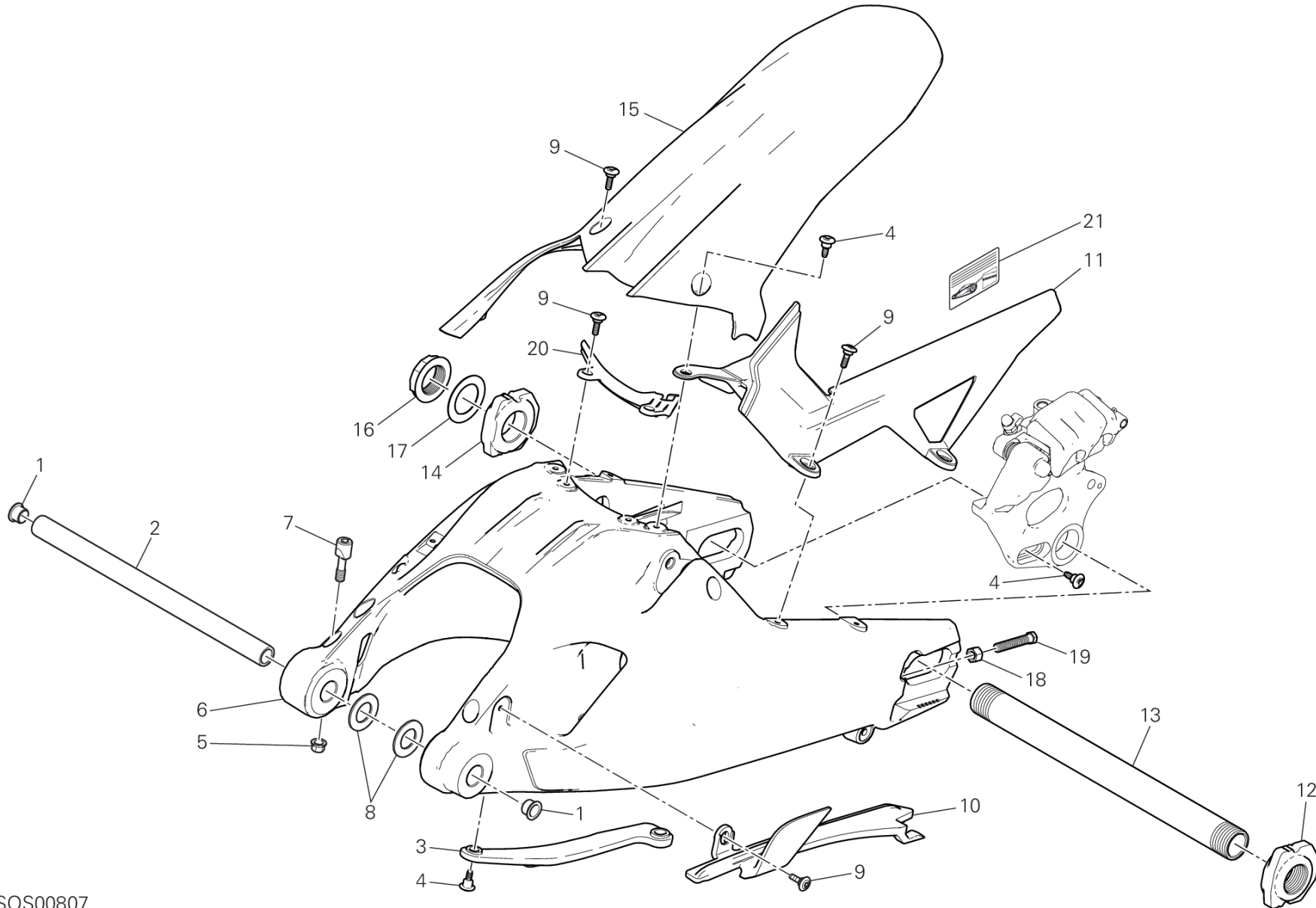
TEL00975

DRAWING 27D - FOOTRESTS, RIGHT [MOD:MS1200E]

GROUP FRAME



POS.	CODE	DESCRIPTION	QTY	START DATE	END DATE	VALIDITY	NOTES
1	82422521AA	FRONT R.H. PLATE	1	06/03/2015			
2	77151568C	SCREW	2	10/11/2014			
3	88450021A	SPRING RING	1	06/03/2015			
4	82115212AA	FOOTREST PIN	1	06/03/2015			
5	79916201AA	SPRING. FOOTREST	1	07/10/2015			
6	46410591AA	RIGHT FOOTREST	1	18/12/2014			
7	76510021A	FOOT PEG RUBBER COVER R.H.	1	18/12/2014			
8	77157283B	SCREW TCEIF M8X35 8.8	2	10/11/2014			
9	82413131AA	REAR R.H. PLATE	1	18/12/2014			
10	69610131A	SPRING RETAINER	1	18/12/2014			
11	79910241A	SPRING	1	18/12/2014			
12	84740021A	BALL	1	18/12/2014			
13	87240561A	PLUG	3	18/12/2014			
14	88450851A	SPRING RING	1	07/10/2015			
15	46411021AA	FOOTREST, FRONT RH	1	07/10/2015			
16	76510121A	FOOT PEG RUBBER COVER R.H.	1	07/10/2015			
17	82115301BA	FOOTREST PIN	1	07/10/2015			



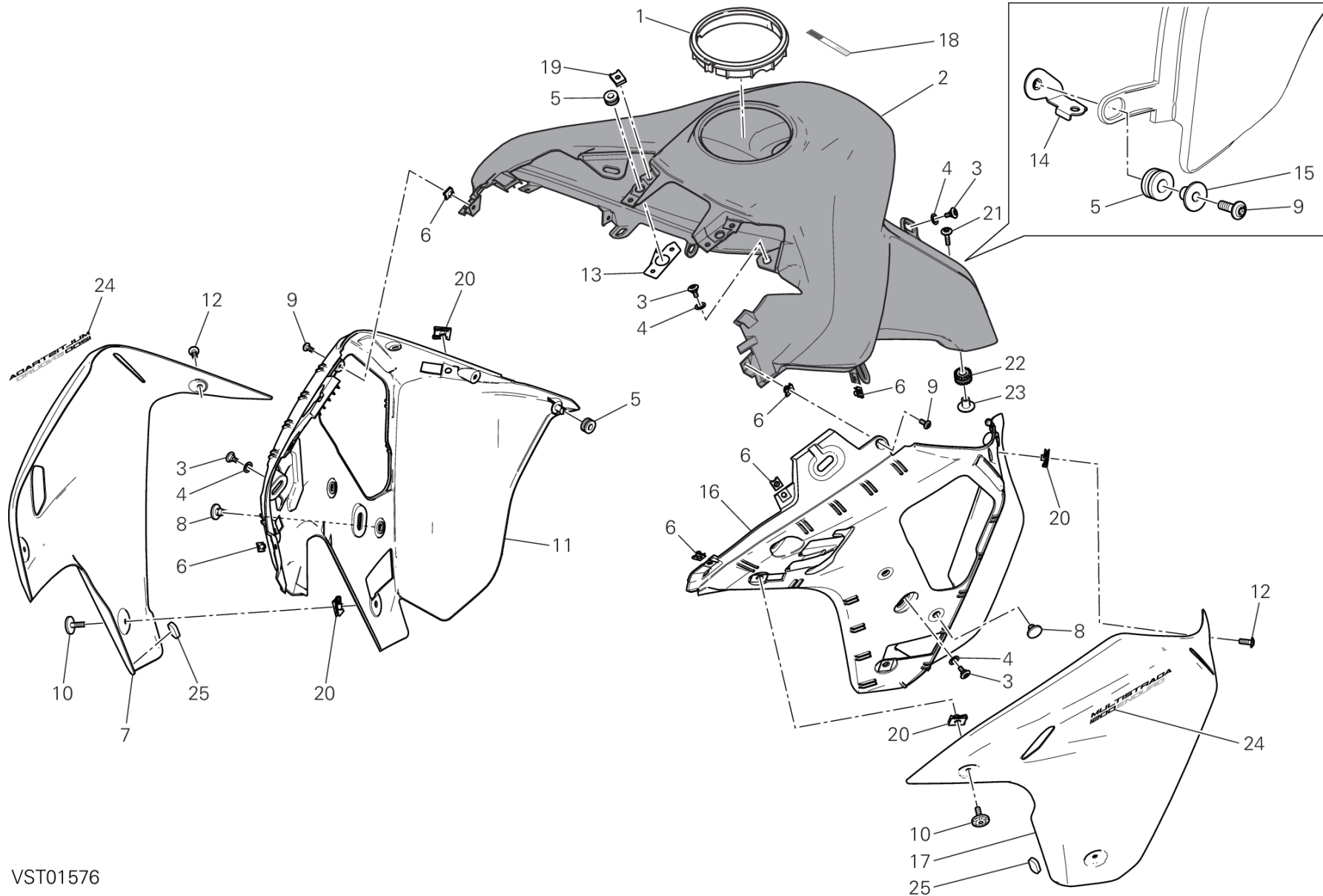
SOS00807

DRAWING 28A - SWING ARM [MOD:MS1200E]

GROUP FRAME



POS.	CODE	DESCRIPTION	QTY	START DATE	END DATE	VALIDITY	NOTES
1	71140021A	BUSH WITH COLLAR	2	07/11/2014			
2	36911361B	AXLE, REAR SWING ARM	1	07/11/2014			
3	44711572A	LOWER CHAIN SLIDING SHOE	1	13/11/2015			
4	77210841C	SCREW	5	11/12/2014			
5	74840341B	NUT M8	2	07/11/2014			
6	37011891CA	FORCELLONE POSTERIORE	1	13/11/2015			
7	80810461A	CLAMP	2	07/11/2014			
8	85210011B	THRUST WASHER 20.5X36X1.8 MM	2	07/11/2014			
	85210021B	THRUST WASHER 20.5X36X0.2 MM	2	07/11/2014			
	85210031B	THRUST WASHER 20.5X36X0.1 MM	2	07/11/2014			
9	77210941C	SCREW	10	11/12/2014			
10	44711562A	UPPER CHAIN SLIDING SHOE	1	13/11/2015			
11	44610311B	CHAIN GUARD	1	05/11/2015			
12	37310871BA	SLIDING SHOE LEFT	1	04/11/2015			
13	81910742AA	REAR WHEEL SPINDLE	1	04/11/2015			
14	37310861BA	SLIDING SHOE	1	04/11/2015			
15	56510851B	REAR MUDGUARD	1	09/02/2015			
16	75011891AA	NUT	1	04/11/2015			
17	71313882A	WASHER, THRUST	1	04/11/2015			
18	75011251A	NUT, SPECIAL M8	2	13/11/2015			
19	77913722AA	SCREW, SPECIAL	2	13/11/2015			
20	4601D971A	FAIRLEAD	1	05/11/2015			
21	43314322A	CHAIN ADJUSTMENT STICKER	1	19/02/2016		XST:AUS,EUR,FRA,ROK	AUS-CAL-CDN-CHN-EUR-FRA-ROK-TWN
	43314322B	CHAIN ADJUSTMENT STICKER	1	19/02/2016		XST:JAP	JAP



VST01576

DRAWING 34A - FAIRING [MOD:MS1200E]

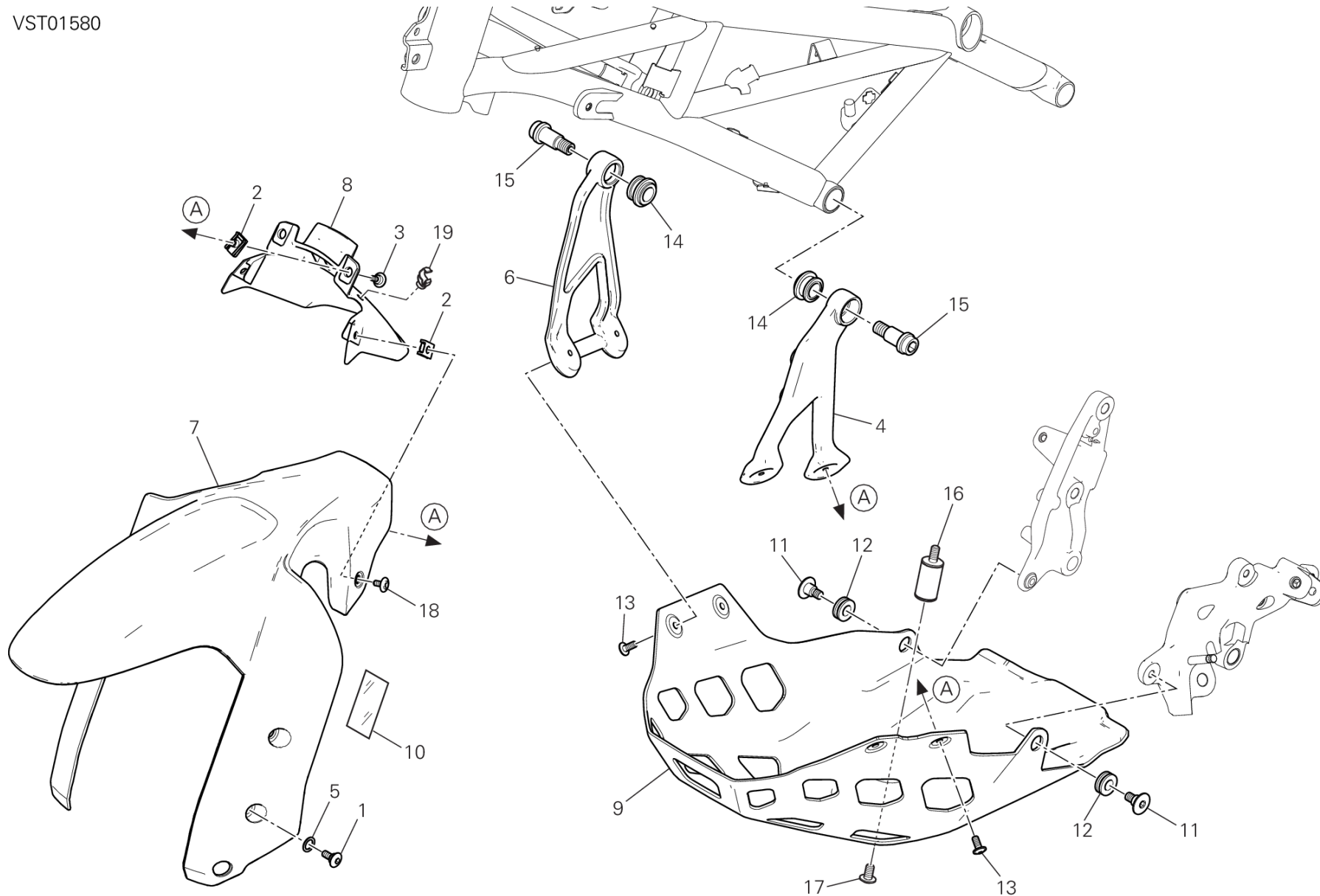
GROUP FRAME



POS.	CODE	DESCRIPTION	QTY	START DATE	END DATE	VALIDITY	NOTES
1	79111181A	GASKET, CAP	1	10/11/2014			
2	48017441AA	PROTECTOR, FUEL TANK RED	1	09/02/2015			
	48017441AS	PROTECTOR, FUEL TANK GRAY	1	09/02/2015			
	48017441AW	PROTECTOR, FUEL TANK WHITE	1	09/02/2015			
3	77210852A	SCREW TCEI M5X9	12	10/11/2014			
4	85212181A	WASHER, NYLON 9X14X1	12	10/11/2014			
5	76411141A	VIBRATION DAMPER PAD	5	10/11/2014			
6	85040471A	QUICK FASTENING M5	10	10/11/2014			
7	48017471AA	COVER, RADIATOR, RH	1	09/02/2015			
8	86612111A	CUSHION, SEAT	4	09/02/2015			
9	77244173B	SCREW	7	10/11/2014			
10	77919851BA	SCREW, SPECIAL	4	09/02/2015			
11	48017481A	RIGHT HOLDER	1	09/02/2015			
12	71850338C	SCREW	2	09/02/2015			
13	82718251AA	PLATE	1	09/02/2015			
14	82718271AA	BRACKET	1	02/11/2015			
15	71614102AA	SPACER	1	02/11/2015			
16	48017461A	LEFT HOLDER	1	09/02/2015			
17	48017451AA	COVER, RADIATOR, LH	1	09/02/2015			
18	43513361A	ITALIAN FLAG DECAL	1	10/02/2016			
19	85041031A	NUT, SPRING M5	4	09/02/2015			
20	85040381A	QUICK FASTENING	6	09/02/2015			
21	77214061AA	SCREW, SPECIAL	1	09/02/2015			
22	76410241A	VIBRATION DAMPER PAD	1	09/02/2015			
23	71614511AA	SPACER	1	09/02/2015			
24	43513561A	DECALCOMANIA "MULTISTRADA 1200 ENDURO"	2	01/02/2016			
25	86612321A	PAD	2	11/11/2015			



VST01580



DRAWING 34B - FAIRING [MOD:MS1200E]

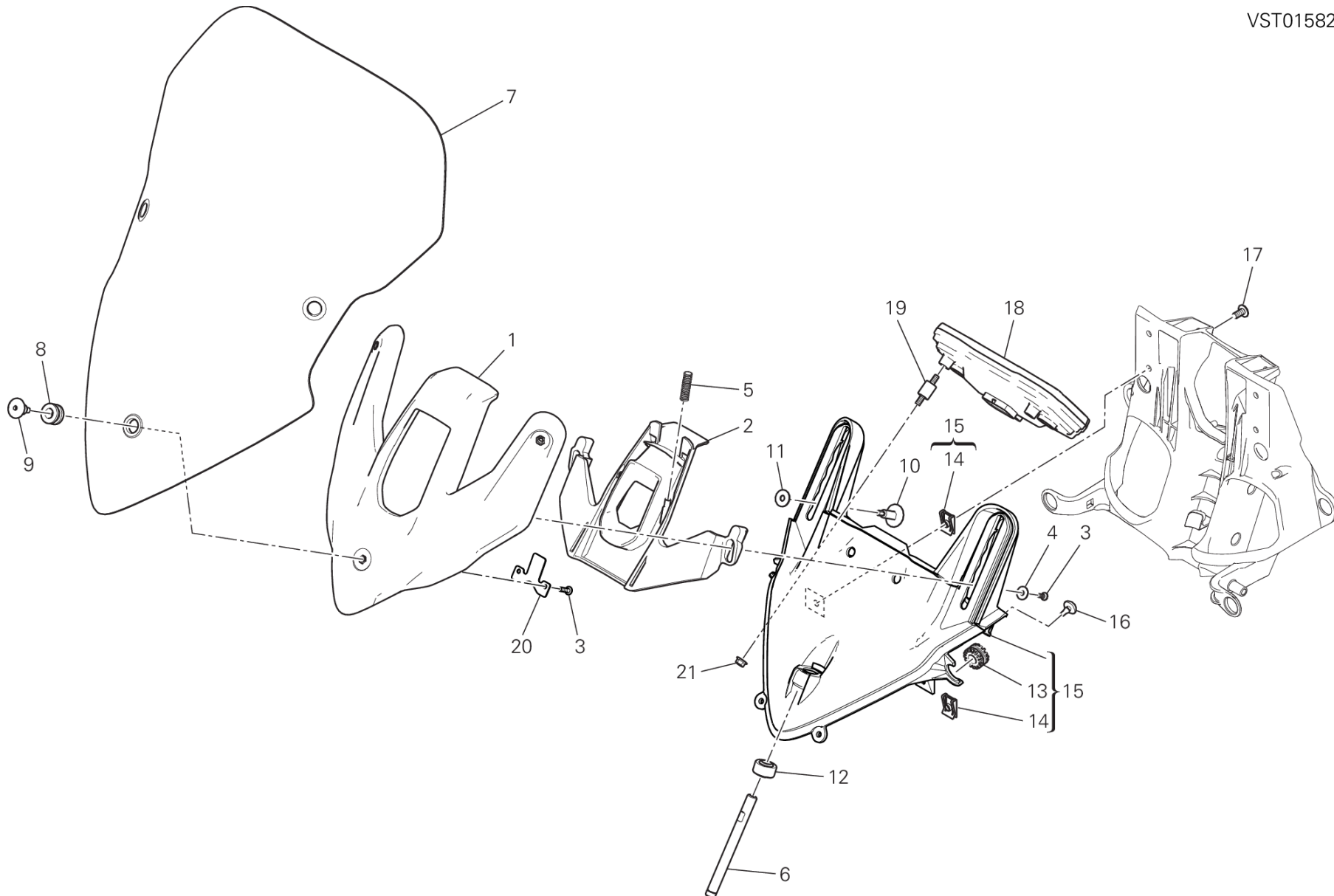
GROUP FRAME



POS.	CODE	DESCRIPTION	QTY	START DATE	END DATE	VALIDITY	NOTES
1	77914391C	SCREW	4	08/05/2013			
2	85040551A	QUICK FASTENING	4	07/11/2014			
3	77210943B	SCREW, SPECIAL	2	16/11/2015			
4	8301A501AA	LEFT BRACKET	1	06/11/2015			
5	85611271A	WASHER	4	07/11/2014			
6	8301A511AA	RIGHT BRACKET	1	09/02/2015			
7	56416431B	FRONT MUDGUARD	1	09/02/2015			
8	56416491A	EXTENSION, FRONT FENDER	1	09/02/2015			
9	4601D921AA	GUARD, ENGINE	1	09/02/2015			
10	92610051A	GUARD	1	09/06/2015			
11	77916371A	SCREW, SPECIAL	2	10/11/2014			
12	76411381A	VIBRATION DAMPER PAD	2	10/11/2014			
13	77240418C	SCREW	4	09/02/2015			
14	76414181A	VIBRATION DAMPER PAD	2	06/11/2015			
15	7791A011AA	SCREW, SPECIAL	2	06/11/2015			
16	70010881A	VIBRATION DAMPER	1	10/11/2014			
17	77157203B	SCREW TCEIF M8X14 8.8	1	01/12/2015			
18	77211251B	SCREW M5X9	2	01/02/2016			
19	75840841A	FAIRLEAD	1	19/02/2016			



VST01582



DRAWING 34C - WINDSHIELD [MOD:MS1200E]

GROUP FRAME



POS.	CODE	DESCRIPTION	QTY	START DATE	END DATE	VALIDITY	NOTES
1	8291D752D	STAY, WINDSHIELD	1	07/05/2015			
2	8291D761D	HOLDER	1	13/03/2015			
3	77440251A	SCREW	4	11/03/2015			
4	85213711A	WASHER	2				
5	79915921AA	SPRING	2	13/03/2015			
6	8291D863A	ROD	1	13/03/2015			
7	48710841A	WINDSHIELD	1	01/02/2016		XST:AUS,EUR,FRA,JAP,ROK	
8	75840621A	RUBBER PAD	3	10/11/2014			
9	77918092AA	SCREW, SPECIAL	3	10/11/2014			
10	77919211BA	SCREW, SPECIAL	2	13/03/2015			
11	85213101A	WASHER	2	13/03/2015			
12	84840721A	BALL JOINT	1	13/03/2015			
13	76410241A	VIBRATION DAMPER PAD	2	01/10/2014			
14	85040381A	QUICK FASTENING	6	10/12/2014			
15	48111193C	STAY, WINDSHIELD (Unit)	1	24/02/2016			
16	86610751A	PAD	4	13/03/2015			
17	77240423C	SCREW TBEIF M6X16 10.9	6	13/03/2015			
18	40611273A	INSTRUMENT PANEL	1	01/02/2016			
19	70010901A	VIBRATION DAMPER	3	11/03/2015			
20	82718171A	PLATE	1	20/04/2015			
21	74840381A	NUT M5	3	13/03/2015			



CODE	NO. TABLE	POS.	CODE	NO. TABLE	POS.	CODE	NO. TABLE	POS.	CODE	NO. TABLE	POS.
027291090	002	8	17021251A	006	6	24511451A	008	1	30410881AC	015	13
037072020	023	8	17121121A	008	13	24511462A	008	23	30410891A	014	10
037072020	024	12	17213271A	003	10	24511471A	008	21	30410891A	015	10
040009050	002	21	17213281C	003	8	24511481A	13A	18	30410891AB	014	10
040029126	002	17	17213291C	003	5	24511481A	13B	18	30410891AB	015	10
066013143	002	9	17213301C	003	9	24511562A	008	4	30410891AC	014	10
066549680	005	8	17213321A	003	24	24713511C	010	3	30410891AC	015	10
067016155	003	19	17213331B	003	22	24713571AL	011	23	34111072AA	021	23
067049310	010	2	17213341B	003	21	24714161A	13B	11	34220831BA	021	3
069191030	18B	11	17213351B	003	20	24714171A	13A	11	34420763A	21A	1
075949280	009	3	17213361B	003	23	24714801C	13B	8	34520765A	21A	2
11210121AA	006	8	17215081A	003	18	24714811C	13A	8	34913811A	21A	7
11210121AB	006	8	17310301A	012	14	24714951A	029	27	34913851A	21A	16
11210121AC	006	8	176Z0021A	012	10	24714983A	27A	6	34913861A	21A	6
11210121AD	006	8	17740032C	13A	27	24714983A	27A	6	34913871A	21A	4
11210121AE	006	8	17740032C	13B	27	24715541A	029	26	34914651A	21A	12
11721112A	004	16	17740042B	13A	26	24724481AE	011	31	34914661A	21A	8
11723581A	025	18	17740042B	13B	26	24920442A	009	1	34914671A	21A	10
12022461B	007	5	18020391A	002	23	25120131A	011	29	34914681A	21A	9
12022471B	007	10	180Z0031A	002	11	25440012A	005	4	34914701A	21A	17
12110781B	007	3	180Z0041A	002	12	25510104B	008	18	34914711A	21A	21
12112481A	007	2	18220521A	002	18	26420541A	011	1	34921361A	21A	15
12120521A	007	4	18710021A	023	3	27040104A	012	1	34921371A	21A	3
12221952A	007	1	18710021A	024	2	27610881C	012	16	34922131A	21A	13
13510421A	017	3	19020232A	004	9	28040431A	017	1	34922141A	21A	19
14622271AR	006	1	19410511A	004	4	28220961A	017	8	34922151A	21A	11
14710941A	008	3	19540031C	004	19	28620441A	01C	6	34922161A	21A	5
14825011E	13B	30	19610532C	004	12	28642721A	029	22	34922171A	21A	14
14825021E	13B	32	19610542C	004	11	28642721E	029	22	34922181A	21A	18
14825031E	13A	30	19820391A	004	14	28642721F	029	22	36011781AA	021	24
14825041E	13A	32	20810321A	014	3	28642721J	029	22	36011792AA	021	29
14910891C	003	25	20810321A	015	3	30124882B	014	22	36015442AB	021	16
14911261A	003	2	20910491A	014	16	30124892B	015	22	36110111C	021	15
15022121A	003	26	20910491A	015	16	30310631BB	014	7	36420171A	021	39
15022131A	003	3	20910501A	014	4	30310631BB	015	7	36521463A	028	2
15310142AA	023	16	20910501A	015	4	30310631BC	014	7	36911361B	28A	2
15310142AA	024	30	21010841A	014	14	30310631BC	015	7	37011891CA	28A	6
15820234A	006	5	21010841A	015	14	30310631BD	014	7	37310861BA	28A	14
16012121A	012	13	21110831A	014	5	30310631BD	015	7	37310871BA	28A	12
16014853A	032	6	21110831A	015	5	30410881A	014	13	38040251A	022	13
16024321A	026	23	225Z0061B	010	1	30410881A	015	13	38510611C	018	3
16024331A	032	5	24221322AB	011	13	30410881AB	014	13	38510741B	021	22
16220562AB	026	13	24321444BB	005	1	30410881AB	015	13	38510761B	021	22
16220571AB	026	35	24511442A	008	2	30410881AC	014	13	38512112B	18B	13



CODE	NO. TABLE	POS.	CODE	NO. TABLE	POS.	CODE	NO. TABLE	POS.	CODE	NO. TABLE	POS.
38540072A	018	4	4601C292A	023	2	48017471AA	34A	7	52910061B	27A	27
38640132A	033	23	4601C302A	024	5	48017481A	34A	11	52910061B	27A	27
38640132A	034	2	4601C312A	023	25	48017751A	034	19	53010226A	27A	17
38640561B	033	12	4601C321A	019	21	48017761A	034	16	53010226A	27A	17
38940191A	18B	3	4601C332A	019	20	48111193C	34C	15	53010236A	27A	23
38940201A	18B	3	4601C581A	036	27	48113481BA	034	1	53010236A	27A	23
38940211A	18B	3	4601C741A	018	28	48113481BS	034	1	53010342A	024	34
38940221A	18B	3	4601D062A	027	21	48113481BW	034	1	53010352A	023	26
38940231A	018	36	4601D072A	027	20	48212172A	033	15	53910351A	22A	7
38940241A	18B	3	4601D151A	13B	36	48212182A	033	14	53940031B	025	5
38940271A	18B	3	4601D221BA	018	39	48610951A	005	16	53940302A	016	12
39040211A	27A	16	4601D351B	026	31	48610992A	029	34	53940771A	023	29
39040211A	27A	16	4601D401A	019	40	48611081A	029	35	53940801A	024	45
39740081B	018	32	4601D441A	018	43	48710841A	34C	7	54040301B	018	2
40611273A	34C	18	4601D451A	018	41	49040772A	B2	1	54140151A	18B	2
42020064A	016	6	4601D461A	018	42	49141072A	B2	2	54240471D	24A	4
42610341B	029	31	4601D471A	018	44	49241011A	026	5	54810562A	030	1
42610351A	036	7	4601D921AA	34B	9	49241531A	026	16	54811051A	016	1
42710201A	008	24	4601D961AA	019	30	49411761AB	026	27	54911142A	016	14
43314322A	28A	21	4601D971A	28A	20	49610051A	026	14	54911191A	016	7
43314322B	28A	21	4601E281A	27A	33	49610061A	026	39	55212111B	24A	1
43513361A	34A	18	4601E281A	27A	34	49720071A	026	3	55214281B	024	40
43513501A	034	22	4601E481A	021	32	50122102AB	026	10	55214491B	019	5
43513561A	34A	24	46320222A	010	6	50221891AB	026	7	55214941A	24A	16
43819301A	027	24	46320537A	003	14	50410051A	026	12	55240121A	029	28
43819301A	034	17	46410591AA	27D	6	51019961B	017	11	55240121A	034	21
44217731A	029	25	46410601AA	27C	16	5101A251A	27A	3	55241321C	011	12
44217742A	029	19	46411021AA	27D	15	5101A251A	27A	3	55241452A	016	11
44440035A	009	2	46411031AA	27C	27	5101A261A	18B	7	55241612C	10A	1
44610311B	28A	11	470P7851DK	022	1	5101A331A	01B	15	55243161B	029	14
44711562A	28A	10	470P7951AK	022	1	5101B121C	18B	1	55243181A	13A	33
44711572A	28A	3	47110521CA	027	17	51310301C	018	34	55243181A	13B	33
44910571B	003	12	47110811AA	027	1	51410751A	018	33	55243241A	028	5
45040023A	13A	16	47317901A	025	7	51410761C	018	35	55243341A	13A	23
45040023A	13B	16	48016912A	034	12	51640011AB	030	10	55243341A	13B	23
45110461A	13A	3	48016922A	034	9	51840091A	034	7	55510693AA	22A	9
45110461A	13B	3	48016942A	034	14	52010315B	020	1	55610891BA	22A	2
45120272A	008	9	48016971A	034	10	52310581A	021	8	55910171A	027	19
45120291A	008	10	48017411A	022	30	52310591A	021	9	56113252A	27A	19
45520181A	010	4	48017441AA	34A	2	52510433D	27A	15	56113252A	27A	19
45612051A	27C	4	48017441AS	34A	2	52510433D	27A	15	56113381AA	27A	32
45622324AA	27C	8	48017441AW	34A	2	52510522B	27A	10	56113391A	27A	25
45720872AA	025	6	48017451AA	34A	17	52510522B	27A	10	56113391A	27A	25
4601C282A	024	33	48017461A	34A	16	52910012A	21A	20	56416431B	34B	7



CODE	NO. TABLE	POS.	CODE	NO. TABLE	POS.	CODE	NO. TABLE	POS.	CODE	NO. TABLE	POS.
56416491A	34B	8	61041491A	024	9	67621011A	026	34	71110922A	011	21
56510851B	28A	15	61041501A	024	26	67641111A	026	32	71110951A	010	65
57014191B	019	2	61141623A	025	20	67740241A	026	33	71111301A	023	20
57113851B	019	1	61240052A	023	4	68010131A	006	10	71111301A	024	7
57314031B	019	6	61240052A	024	21	68010131A	008	16	71111601A	005	13
57314202BA	019	32	61240081A	025	39	68050101A	010	13	71111601A	011	14
57610671A	019	7	61240201A	024	22	69610131A	27C	20	71112191A	007	12
58510921A	029	6	61240301A	025	1	69610131A	27D	10	71113741A	13A	5
58540151A	025	26	61240321A	025	37	69720341A	033	16	71113741A	13B	5
58540221A	024	15	61240391A	023	30	69926751A	018	15	71114113AA	024	38
58540231A	023	12	61240391A	024	46	70010362A	010	14	71114113AA	24A	14
58612431A	032	2	61240481A	025	40	70010591A	026	21	71116441AA	027	27
58840231A	032	17	61240511A	024	31	70010853A	018	14	71140021A	28A	1
59017831A	036	13	61340121A	024	8	70010881A	34B	16	71210341A	025	10
59017931A	029	13	61340941A	025	36	70010901A	34C	19	71210341A	27C	10
59017941A	029	17	61810782A	24A	8	70010962A	021	10	71310141E	003	11
59018041A	036	28	61810792A	24A	5	70040231A	018	21	71311281B	011	27
59018051A	036	1	61810801A	024	20	70140051A	003	4	71311841A	026	25
59018061A	036	17	61910781C	24A	11	70140491A	027	8	71312051A	026	19
59018071A	036	26	61910791A	24A	12	70140501A	012	11	71312661A	003	15
59018081A	036	29	62440951B	024	1	70240091A	011	11	71312921A	014	9
59018091A	036	14	62540311B	025	16	70240102A	011	9	71312921A	015	9
59018111A	036	18	62640561A	023	28	70240131A	010	16	71312921B	014	25
59018121A	036	19	62640561A	024	44	70240331A	010	17	71312921B	015	26
59018131A	036	20	63040672B	023	1	70240381A	026	24	71313091A	004	13
59018141A	029	20	63140081A	023	9	70241151A	010	18	71313882A	28A	17
59018201B	032	25	63140081A	024	43	70241161A	010	19	71314361A	019	35
59024041A	017	7	63140281A	025	38	70241231A	021	6	71314831A	004	15
59210221C	032	9	63140331A	024	41	70241461A	012	15	71314901A	24A	13
59310601B	010	7	63140341A	023	31	70250081A	010	20	71319151A	002	2
59320641D	010	5	63210801A	023	6	70250081A	011	4	71319181A	032	4
59340301C	019	23	65010211B	021	25	70250193A	010	21	71319191A	012	8
59512991BB	033	2	65110211C	021	14	70250601A	004	10	71319201A	24A	13
59513001BB	033	2	65540081A	029	9	70250681A	026	37	71319331A	033	13
59513021AB	033	1	65540101A	036	9	70250721A	026	8	71319951A	003	13
59810241A	033	11	66020072D	021	20	70310131A	021	12	7131A361AA	026	28
59810321B	032	19	66810482A	007	14	70310662A	022	3	7131A371AA	026	20
59821471F	021	30	66910011E	014	6	70350062A	008	12	7131A923A	27A	21
59821501F	021	30	66910011E	015	6	71011071A	023	19	7131A923A	27A	21
59821861A	032	21	67040451A	022	16	71011071A	024	6	7131B251AA	023	32
59821881A	032	20	67110661A	022	24	71011491A	019	11	7131B251AA	024	36
59821911A	032	21	67110671F	022	25	71011691A	006	7	7131B281AA	023	33
59840271A	033	17	67110682A	022	26	71011941A	010	23	7131B281AA	024	42
59840311B	032	18	67110691A	022	23	71011991B	010	22	7131B801AA	021	37



CODE	NO. TABLE	POS.	CODE	NO. TABLE	POS.	CODE	NO. TABLE	POS.	CODE	NO. TABLE	POS.
7131B841A	029	39	74140431A	025	17	75011251A	28A	18	76411361A	018	22
7131B851AA	028	9	74140431A	036	15	75011551A	033	18	76411361A	030	7
7131B901AA	026	2	74140571A	036	21	75011561A	006	13	76411381A	34B	12
7131B911AA	026	17	74140581A	036	4	75011601A	008	15	76412041A	27A	14
7131C331AA	021	45	74140631A	036	22	75011851AA	022	33	76412041A	27A	14
71320043A	004	18	74140641A	036	11	75011891AA	28A	16	76412071A	027	4
71413412A	026	9	74140651A	029	21	75011971A	006	14	76412131A	022	29
71413441A	026	38	74141651A	029	2	75012022AA	032	28	76412261A	033	8
71610061A	018	6	74141711A	029	12	75050051A	012	12	76414181A	34B	14
71610061A	13B	35	74141861A	029	1	757941542	010	27	76510021A	27D	7
71610722A	008	20	74141871A	017	9	75811111A	032	30	76510031A	27C	17
71611071AB	27A	4	74141921A	007	7	75811181A	019	43	76510111A	27C	9
71611071AB	27A	4	74142251A	029	36	75840161A	018	23	76510121A	27D	16
71611281A	008	17	74142371A	029	7	75840601A	24A	2	76510131A	27C	28
71614081A	025	32	74142401A	029	10	75840621A	34C	8	76610553B	10A	2
71614102AA	34A	15	74142631A	032	26	75840771A	019	28	76611041A	014	21
71614102AB	019	22	74640101A	016	10	75840801A	27A	30	76611041A	015	21
71614102AB	022	9	74710151A	010	35	75840801A	27A	30	76640191A	13A	4
71614102AB	025	34	74750031A	025	28	75840841A	018	40	76640191A	13B	4
71614141A	019	9	74750071A	021	1	75840841A	34B	19	768351134	002	10
71614191A	030	5	74810241A	019	13	75840901A	27A	13	77052508B	011	6
71614251A	019	15	74810351B	023	13	75840901A	27A	13	77110391A	021	43
71614511AA	016	3	74810351B	024	18	75910251A	019	39	77110401B	023	10
71614511AA	020	4	74810361A	022	22	764000004	010	15	77110401B	024	10
71614511AA	022	27	74810461A	026	29	764020002	003	17	77110411A	020	7
71614511AA	036	12	74810493A	13A	20	76410011A	019	36	77110518B	009	7
71614511AA	34A	23	74810493A	13B	20	76410241A	016	2	77110518B	011	5
71614914AA	021	35	74810501A	10A	11	76410241A	019	8	77110521A	012	6
71615241BA	033	6	74810651A	026	1	76410241A	020	5	77113771B	021	17
71850338C	032	15	74840261C	019	16	76410241A	022	11	77113801A	008	6
71850338C	34A	12	74840341B	28A	5	76410241A	030	4	77113931A	012	3
72050318C	032	16	74840381A	34C	21	76410241A	036	3	77113961A	011	20
72050338B	010	24	74841011AA	022	5	76410241A	13B	37	77116648B	016	8
720941616	010	25	74940021A	018	9	76410241A	27A	9	77140648CA	13A	17
73210552A	019	27	74940081A	008	7	76410241A	27A	9	77140648CA	13B	17
735001542	002	15	74941118B	028	6	76410241A	34A	22	77140667CF	012	5
735033380	010	26	74941118B	27C	29	76410241A	34C	13	77140673C	011	3
73740321A	008	5	74941128B	019	42	76410871A	014	8	77140697CF	012	7
74110121A	18B	9	74941128B	22A	5	76410871A	015	8	77140713C	005	5
74110131A	18B	10	74941333B	018	12	76411141A	019	26	77140713C	011	15
74110551A	18B	12	74950011B	27A	29	76411141A	022	10	77140723C	011	19
74140381A	18B	15	74950011B	27A	29	76411141A	025	33	77140813C	005	3
74140431A	023	14	75010071A	003	1	76411141A	34A	5	77140833C	005	2
74140431A	024	16	75010071E	004	7	76411331A	020	2	77150078B	010	8



CODE	NO. TABLE	POS.	CODE	NO. TABLE	POS.	CODE	NO. TABLE	POS.	CODE	NO. TABLE	POS.
77150388B	032	8	77157288B	021	31	77240443C	028	8	77510721A	005	7
77150478B	032	1	77159313B	021	19	77240463C	018	11	77550191A	27C	24
77150648B	032	24	77210591A	024	29	77240483C	030	2	77550211B	011	16
77150653B	010	28	77210601A	24A	15	77240493C	028	4	77550213C	026	30
77150668B	027	12	77210841C	28A	4	77244168B	028	11	77550218CJ	13A	24
77150670ZF	002	3	77210852A	018	7	77244173B	019	31	77550218CJ	13B	24
77150723B	10A	3	77210852A	34A	3	77244173B	34A	9	77550271A	27C	5
77150748B	022	20	77210852C	017	2	77244661A	13A	34	77750493C	011	24
77150763B	023	21	77210853B	033	24	77244661A	13B	34	77840041A	010	31
77150763B	024	3	77210941C	28A	9	77250121B	030	3	77910262A	011	10
77150808B	10A	4	77210943B	34B	3	77250341B	010	9	77910391A	010	32
77151250ZF	002	1	77210971B	018	5	77250341C	008	22	77910921A	023	7
77151298B	009	8	77210971B	13B	39	77250728B	021	46	77910921A	024	13
77151363B	10A	5	77211061A	18B	5	7725170BZ	028	1	77910991B	021	2
77151398B	10A	6	77211071B	027	14	77310021A	022	12	77911092A	006	2
77151558B	027	18	77211082B	027	15	77350403B	13A	12	77911622A	010	33
77151568C	27C	2	77211091C	034	4	77350403B	13B	12	77912033A	002	7
77151568C	27D	2	77211201A	004	3	77350618B	014	20	77912371B	025	8
77151588B	027	7	77211251B	34B	18	77354623B	18B	18	77913141B	24A	10
77154478F	021	28	77211341A	030	9	77354743B	022	17	77913311D	024	25
77156393B	025	24	77214061AA	016	4	77354743B	036	25	77913662AB	025	22
77156398B	27A	22	77214061AA	020	3	77355068B	019	34	77913662AB	24A	7
77156398B	27A	22	77214061AA	34A	21	77440041A	27A	7	77913722AA	28A	19
77156408B	017	4	77214371AA	021	33	77440041A	27A	7	77913971A	023	5
77156423B	023	24	77214391AA	021	49	77440061A	018	38	77913971A	024	23
77156423B	024	32	77240133C	27A	11	77440061A	019	37	77913991A	026	4
77156438B	021	27	77240133C	27A	11	77440111A	023	27	77914043B	006	9
77156628B	018	30	77240263C	019	18	77440111A	024	35	77914211A	014	23
77156668B	27C	3	77240263C	27A	12	77440121A	029	18	77914211A	015	23
77156678B	004	6	77240263C	27A	12	77440121A	036	6	77914391C	34B	1
77156678B	021	40	77240288C	019	19	77440141A	018	27	77914651A	024	28
77156678B	025	19	77240308C	019	25	77440141A	033	20	77914982B	033	10
77156688B	019	10	77240308C	022	14	77440141A	034	6	77915041A	028	3
77156713B	022	15	77240308C	025	35	77440171A	018	17	77915461A	032	27
77156713B	023	23	77240343C	024	37	77440171A	028	12	77915511A	024	47
77156713B	024	19	77240343C	24A	18	77440171A	034	13	77916371A	34B	11
77156718B	019	38	77240398C	025	2	77440183C	029	29	77917101B	010	34
77156718B	021	4	77240403C	27A	1	77440183C	034	20	77917241AA	22A	1
77156728B	032	10	77240403C	27A	1	77440251A	027	22	77917261A	022	2
77157203B	34B	17	77240418C	34B	13	77440251A	034	8	77918092AA	34C	9
77157258B	027	3	77240423C	018	25	77440251A	34C	3	77918271A	13A	28
77157278B	021	13	77240423C	34C	17	77440321A	029	4	77918271A	13B	28
77157283B	27C	18	77240438C	27A	24	77510311B	010	30	77919062A	13B	22
77157283B	27D	8	77240438C	27A	24	77510691BA	017	6	77919101AA	022	7



CODE	NO. TABLE	POS.	CODE	NO. TABLE	POS.	CODE	NO. TABLE	POS.	CODE	NO. TABLE	POS.
77919171AA	027	5	79912961A	002	20	81540062A	026	15	8291D391A	025	31
77919202AA	021	18	79914851A	014	19	81810162A	004	5	8291D511A	029	23
77919211BA	34C	10	79914851A	015	19	81910601A	026	11	8291D521A	029	16
77919221AA	027	2	79914861A	014	18	81910742AA	28A	13	8291D652A	019	29
77919231B	13A	22	79914861A	015	18	82111701CA	025	9	8291D723AB	020	6
77919241B	13A	21	79915061A	002	4	82111701CA	27C	7	8291D752D	34C	1
77919241B	13B	21	79915081A	22A	4	82112231B	014	15	8291D761D	34C	2
77919851BA	033	5	79915181B	014	26	82112231B	015	15	8291D772AA	028	13
77919851BA	34A	10	79915181B	015	27	82113471A	012	9	8291D803A	027	16
77919891AA	22A	8	79915191B	014	27	82113581A	22A	11	8291D813A	027	13
7791A011AA	34B	15	79915191B	015	28	82113881A	002	13	8291D823A	032	11
7791A161AA	022	6	79915271A	22A	13	82114731A	002	6	8291D863A	34C	6
7791A201AA	022	4	79915881AA	025	4	82114741AA	026	22	8291D921A	018	20
7791A211AA	022	32	79915921AA	34C	5	82114851A	014	17	8291D931A	018	19
77927171A	010	36	79916182AA	025	12	82114851A	015	17	8291E081AA	022	21
77950621A	010	38	79916201AA	27C	15	82114922AA	22A	6	8291E091AA	022	18
78010151A	006	4	79916201AA	27D	5	82115061A	021	34	8291E102A	18B	16
78010511E	014	12	79920772A	010	41	82115212AA	27C	14	8291E111A	18B	17
78010511E	015	12	79921602A	22A	3	82115212AA	27D	4	8291F331A	036	2
78010721A	010	39	79925121B	22A	12	82115301BA	27C	26	83019191AA	018	24
78011001B	005	6	79925941A	019	3	82115301BA	27D	17	83019201A	018	8
78011041A	010	29	79940171A	010	42	82412631AA	27C	19	83019212A	018	16
78020011A	019	4	800068490	024	14	82413131AA	27D	9	83019221A	028	7
78050012A	011	33	800070139	01B	8	82422521AA	27D	1	83019381AA	027	11
78611001B	007	11	80011851A	007	8	82422901AA	27C	1	83019391AA	027	10
78611251A	007	13	80012483A	007	9	82610293A	002	5	83019941AA	029	33
78810542A	012	4	80110431A	017	5	82714821A	033	19	83019951A	033	21
78811041A	029	30	80810461A	28A	7	82715481A	016	9	8301A032AA	022	8
78811041A	034	11	80811931AB	024	24	82716031A	010	12	8301A131AA	024	27
78811151A	010	10	80811941AB	023	18	82716091A	011	35	8301A501AA	34B	4
78811331B	13A	6	80812191A	036	8	82716351A	13A	9	8301A511AA	34B	6
78811331B	13B	6	80812251AA	021	42	82716351A	13B	9	8301D891AA	030	8
78811341B	13A	7	81110021A	010	11	82717471A	032	14	8301F151AA	021	47
78811341B	13B	7	81140012B	13A	10	82717481A	032	13	8301F161AA	021	41
78811581A	029	37	81140012B	13B	10	82717571A	005	14	8301F191AA	021	38
78811591A	029	38	81411113B	036	23	82718171A	34C	20	83024041A	030	6
79010211A	019	12	81411831A	036	10	82718251AA	34A	13	83040071A	021	36
79111131B	032	7	81411881A	015	25	82718271AA	34A	14	83110151B	010	44
79111181A	34A	1	81413341A	13A	2	8271F231AA	27A	28	84010012A	014	1
79120541B	007	6	81413341A	13B	2	8271F231AA	27A	28	84010012A	015	1
79710531B	004	1	81415801A	036	16	82911901A	022	28	84010022A	014	1
79910241A	27C	21	81441021A	036	5	8291A891A	024	39	84010022A	015	1
79910241A	27D	11	81510221A	016	5	8291A891A	24A	17	84010032A	014	1
79910491A	010	40	81510281A	010	43	8291D181B	018	1	84010032A	015	1



CODE	NO. TABLE	POS.	CODE	NO. TABLE	POS.	CODE	NO. TABLE	POS.	CODE	NO. TABLE	POS.
84010042A	014	1	84010262A	014	1	84010542B	014	2	84010742B	014	2
84010042A	015	1	84010262A	015	1	84010542B	015	2	84010742B	015	2
84010052A	014	1	84010272A	014	1	84010552B	014	2	84010752B	014	2
84010052A	015	1	84010272A	015	1	84010552B	015	2	84010752B	015	2
84010062A	014	1	84010282A	014	1	84010562B	014	2	84010762B	014	2
84010062A	015	1	84010282A	015	1	84010562B	015	2	84010762B	015	2
84010072A	014	1	84010292A	014	1	84010572B	014	2	84010772B	014	2
84010072A	015	1	84010292A	015	1	84010572B	015	2	84010772B	015	2
84010082A	014	1	84010302A	014	1	84010582B	014	2	84010782B	014	2
84010082A	015	1	84010302A	015	1	84010582B	015	2	84010782B	015	2
84010092A	014	1	84010312A	014	1	84010592B	014	2	84010792B	014	2
84010092A	015	1	84010312A	015	1	84010592B	015	2	84010792B	015	2
84010102A	014	1	84010322A	014	1	84010602B	014	2	84010802B	014	2
84010102A	015	1	84010322A	015	1	84010602B	015	2	84010802B	015	2
84010112A	014	1	84010332A	014	1	84010612B	014	2	84010812B	014	2
84010112A	015	1	84010332A	015	1	84010612B	015	2	84010812B	015	2
84010122A	014	1	84010342A	014	1	84010622B	014	2	84010822B	014	2
84010122A	015	1	84010342A	015	1	84010622B	015	2	84010822B	015	2
84010132A	014	1	84010412B	014	2	84010632B	014	2	84010832B	014	2
84010132A	015	1	84010412B	015	2	84010632B	015	2	84010832B	015	2
84010142A	014	1	84010422B	014	2	84010642B	014	2	84010842B	014	2
84010142A	015	1	84010422B	015	2	84010642B	015	2	84010842B	015	2
84010152A	014	1	84010432B	014	2	84010652B	014	2	84010852B	014	2
84010152A	015	1	84010432B	015	2	84010652B	015	2	84010852B	015	2
84010162A	014	1	84010442B	014	2	84010662B	014	2	84010862B	014	2
84010162A	015	1	84010442B	015	2	84010662B	015	2	84010862B	015	2
84010172A	014	1	84010452B	014	2	84010672B	014	2	84010872B	014	2
84010172A	015	1	84010452B	015	2	84010672B	015	2	84010872B	015	2
84010182A	014	1	84010462B	014	2	84010682B	014	2	84011082A	014	1
84010182A	015	1	84010462B	015	2	84010682B	015	2	84011082A	015	1
84010192A	014	1	84010472B	014	2	84010692B	014	2	84011092A	014	1
84010192A	015	1	84010472B	015	2	84010692B	015	2	84011092A	015	1
84010202A	014	1	84010482B	014	2	84010702B	014	2	84011102A	014	1
84010202A	015	1	84010482B	015	2	84010702B	015	2	84011102A	015	1
84010212A	014	1	84010492B	014	2	84010712B	014	2	84011112A	014	1
84010212A	015	1	84010492B	015	2	84010712B	015	2	84011112A	015	1
84010222A	014	1	84010502B	014	2	84010722A	014	1	84011122A	014	1
84010222A	015	1	84010502B	015	2	84010722A	015	1	84011122A	015	1
84010232A	014	1	84010512B	014	2	84010722B	014	2	84011132A	014	1
84010232A	015	1	84010512B	015	2	84010722B	015	2	84011132A	015	1
84010242A	014	1	84010522B	014	2	84010732A	014	1	84011142A	014	1
84010242A	015	1	84010522B	015	2	84010732A	015	1	84011142A	015	1
84010252A	014	1	84010532B	014	2	84010732B	014	2	84740021A	27C	22
84010252A	015	1	84010532B	015	2	84010732B	015	2	84740021A	27D	12



CODE	NO. TABLE	POS.	CODE	NO. TABLE	POS.	CODE	NO. TABLE	POS.	CODE	NO. TABLE	POS.
84740061A	010	45	85211961B	27A	2	85310021A	008	8	86612321A	34A	25
84810371A	028	10	85211961B	27A	2	85310021A	009	9	86640051A	24A	3
84820181AA	27C	6	85211971A	016	15	85310031A	011	34	87210081A	027	26
84840011A	021	48	85212181A	34A	4	85310041A	009	4	87210532A	18B	6
84840721A	34C	12	85212221A	026	6	85350091A	012	17	87210641A	021	7
85010141A	18B	19	85212511A	27A	32	85350101A	018	37	87211041A	018	46
85013121A	016	16	85212511A	27A	33	85350111A	021	26	87211051A	018	45
85040381A	033	25	85212881D	006	11	85550001B	18B	4	87211161A	021	21
85040381A	27A	26	85212901A	019	41	85550041A	018	31	87211171A	022	31
85040381A	27A	26	85213101A	34C	11	85610623A	008	19	87240561A	27C	23
85040381A	34A	20	85213601A	005	10	85610642A	10A	10	87240561A	27D	13
85040381A	34C	14	85213641A	006	3	85611271A	34B	5	87241051A	030	11
85040471A	034	18	85213711A	34C	4	85611361A	034	15	87310051A	13A	31
85040471A	27A	20	85213751AA	027	23	85611372A	003	6	87310051A	13B	31
85040471A	27A	20	85213761A	033	9	85611391B	004	2	87311391AA	027	6
85040471A	34A	6	85213892AA	025	13	85611481A	010	50	87321421B	13A	14
85040551A	019	33	85240091A	018	29	85611591AA	025	14	87321421B	13B	14
85040551A	022	19	85240171A	019	44	85640121A	019	14	87512131A	010	51
85040551A	34B	2	85241711A	019	24	85640141A	010	66	87522321A	010	53
85040671A	18B	8	85241711A	27A	8	85640151A	034	3	87611291A	029	3
85041031A	34A	19	85241711A	27A	8	86010041A	10A	7	87611301A	029	24
85041711A	018	26	85250011C	27A	5	86010061A	13A	1	87611311A	029	8
85041711A	034	5	85250011C	27A	5	86010061A	13B	1	87611321A	029	11
85042131A	017	10	85250231A	010	48	86050061A	014	24	87711141A	023	15
85042241A	18B	14	85250231A	014	28	86050061A	015	24	87711411A	024	17
85110041A	003	16	85250231A	015	20	86050131A	13A	29	87711541A	025	21
85110131A	008	14	85250231A	036	24	86050131A	13B	29	88110121A	002	16
85110201A	004	8	85250231A	13A	25	86050171A	023	22	88110921A	012	2
85140051A	006	12	85250231A	13B	25	86050171A	024	11	88210031A	008	11
85210011B	28A	8	85250241A	011	32	86610611A	033	3	88210151A	003	7
85210021B	28A	8	85250241A	023	17	86610751A	27A	18	88440061A	026	26
85210031B	28A	8	85250241A	024	4	86610751A	27A	18	88440531A	010	52
85210051A	002	14	85250241A	025	23	86610751A	34C	16	88440651A	010	54
85210532A	010	46	85250241A	24A	6	86611001B	22A	10	88450021A	27C	13
85210941A	002	19	85250261A	011	25	86611091A	032	3	88450021A	27D	3
85211031A	021	11	85250261B	014	11	86611221A	27A	31	88450031A	025	15
85211511A	025	3	85250261B	015	11	86611221A	27A	31	88450341B	002	22
85211511A	27C	12	85250261B	24A	9	86611902A	018	10	88450391A	033	7
85211721A	011	7	85250291A	13B	38	86611931A	029	32	88450431A	011	8
85211761A	018	13	85250311A	019	17	86612111A	027	25	88450581A	010	55
85211911A	018	18	85250311A	029	15	86612111A	033	4	88450711A	005	11
85211951A	010	47	85250421A	010	49	86612111A	34A	8	88450721A	011	17
85211951A	016	13	85250481A	011	30	86612121A	034	23	88450851A	27C	25
85211961B	020	8	85250631A	005	17	86612131A	034	24	88450851A	27D	14



CODE	NO. TABLE	POS.	CODE	NO. TABLE	POS.	CODE	NO. TABLE	POS.
88610241A	10A	8	887132906	001	6	93040221A	010	61
88610951A	011	22	887132951	01B	3	93040221A	026	18
88640331A	010	56	887133211	01B	5	93040391A	026	36
88640331A	011	2	887133334	001	11	93040931A	010	62
88640371A	009	6	887133352	001	5	93041231A	010	63
88640851A	13A	15	887133396	01B	12	93041271A	010	64
88640851A	13B	15	887133406	01A	4	93041271A	027	9
88640891A	029	5	887133407	001	13	93050051A	011	26
88641161A	025	11	887133408	001	10	93050062B	011	28
88641161A	27C	11	887133417	001	12	93050201A	13A	13
88641181A	010	57	887133497	01A	1	93050201A	13B	13
88641181A	10A	9	887133501	01B	10	937831524	011	18
88641321A	005	12	887133526	01B	13	942470014	10A	12
88641321A	009	5	887133931	001	8	979000252	01C	1
88641581A	010	58	887134302	01B	2	979000253	01C	2
88641701A	007	15	887134303	01B	1	979000254	01C	3
88641731A	004	17	887134411	01A	11	979000255	01C	4
88641731A	007	16	887134964	001	1	979000256	01C	5
88641961A	010	37	887134965	01A	15			
88642301A	005	18	887134966	01A	16			
88642591A	032	29	887134967	01B	14			
88642621A	13A	19	887135009	01A	14			
88642621A	13B	19	887651000	001	14			
88650141A	021	44	887651005	001	14			
887130869	001	15	887651006	001	14			
887130870	001	4	887651298	001	3			
887131010	01A	2	887651518	01A	5			
887131058	01B	7	887651737	01A	6			
887131062	01B	9	89320062A	010	59			
887131074	01B	4	89320191A	005	15			
887131515	01B	6	89340051A	023	11			
887131749	01A	13	89340111A	025	27			
887131805	01A	3	89410241A	010	60			
887131821	01A	9	89510431B	032	12			
887131832	001	9	91373101A	033	22			
887131920	01A	8	91373101B	033	22			
887131994	01A	12	91373101C	033	22			
887132011	01A	7	91373101D	033	22			
887132103	001	7	91373101E	033	22			
887132409	01B	11	91373101F	033	22			
887132442	001	2	91373101G	033	22			
887132834	01A	17	92610051A	34B	10			
887132870	01A	10	93010041B	021	5			
887132877	01A	18	93040211A	005	9			



Ducati Motor Holding S.p.A.

Uffici Commerciali Amministrativi:

Via A. Cavalieri Ducati n. 3

40132 Bologna, Italy

Telefono 051 6413111

Fax 051 406580

Internet www.ducati.com